



DK50 PLUS/M DK50 2V/M

- EN User manual
- DE Benutzerhandbuch
- SK Návod na použitie



COMPRESSOR
KOMPRESSOR
KOMPRESOR

DK50 PLUS
DK50 2V



EKOM spol. s r. o.
Priemyselná 5031/18
SK-921 01 Piešťany
Slovak Republic
tel.: +421 33 7967255
fax: +421 33 7967223

www.ekom.sk
email: ekom@ekom.sk

DATE OF LAST REVISION
DATUM DER LETZTEN ÜBERARBEITUNG
DÁTUM POSLEDNEJ REVÍZIE

04/2026

NP-DK50 PLUS, 2V-A-
20_04-2026-MD
112000431-000



CONTENTS..... 5



INHALT 51



OBSAH 99

CONTENTS

GENERAL INFORMATION.....	6
1. CONFORMITY WITH THE REQUIREMENTS OF THE EUROPEAN UNION.....	6
2. SYMBOLS.....	6
3. DEVICE USE	7
4. GENERAL SAFETY INSTRUCTION	8
5. STORAGE AND TRANSPORT	9
PRODUCT DESCRIPTION	10
6. VARIANTS	10
7. ACCESORIES.....	10
8. PRODUCT FUNCTION	12
TECHNICAL DATA.....	16
INSTALLATION.....	21
9. INSTALLATION CONDITIONS	21
10. COMPRESSOR ASSEMBLY	21
11. PNEUMATIC CONNECTION	25
12. ELECTRICAL CONNECTION	27
13. COMMISSIONING	28
14. PNEUMATIC AND ELECTRICAL DIAGRAMS	29
OPERATION.....	37
15. SWITCHING ON THE COMPRESSOR.....	38
16. SWITCHING OFF THE COMPRESSOR.....	38
PRODUCT MAINTENANCE	39
17. PRODUCT MAINTENANCE.....	39
18. LONG-TERM SHUTDOWN.....	48
19. DISPOSAL OF DEVICE	48
TROUBLESHOOTING.....	49
20. REPAIR SERVICE	50

GENERAL INFORMATION

Read the User manual carefully and keep it before use of the product. The User manual provides information on correct use – installation, operation and maintenance of the product.

The User manual corresponds with the design of the product and condition according to the applicable safety and technical standards at the time of printing. The manufacturer reserves all rights concerning the protection for the stated connections, procedures and names.

Slovak version is original of the User manual. The User manual has been translated in accordance with the best available knowledge. The Slovak version is to be used in the event of any uncertainties.

This user manual is the original instructions. Translation is performed in accordance with the best available knowledge.

1. CONFORMITY WITH THE REQUIREMENTS OF THE EUROPEAN UNION

This product conforms to the requirements of the European Union 2006/42/EC, 2014/29/EU, 2014/35/EU, 2014/30/EU, 2011/65/EU and is safe if used in compliance with the intended use and if all safety instructions are followed.

User manual is in compliance with requirements of Directive 2006/42/EC.

2. SYMBOLS

The following symbols and marks are used in the User manual, on the device and its packaging:



General warning



Warning – risk of electric shock



Warning - compressor is controlled automatically



Warning – hot surface



General caution



Refer to instruction manual



Read the user manual



CE – marking











Serial number



Article number



Protecting earthing

	Terminal for ground connection
	Package handling label – fragile
	Package handling label – this side up
	Package handling label – keep dry
	Package handling label – temperature limits
	Package handling label – limited stacking
	Package label – recyclable material
	Manufacturer

3. DEVICE USE

3.1. Intended use

The compressor is used as source of clean oil-free compressed air intended to be used in industry and laboratories, where parameters and properties of the compressed air are suitable.

The compressor is exclusively intended to compress air without content of explosive or chemically unstable substances.

The compressor is intended for operation in clean and dry rooms

3.2. Incorrect use



Contamination risk.

Air from the compressor is without additional treatment not suitable for breathing and direct contact with food.



Explosion risk.

The product is not intended for operation in rooms with explosion risk.

The compressor must not be used to compress aggressive gases.

The compressor must not be operated in premises with occurrence of flammable vapors.

The compressor must not be operated in other conditions as mentioned in Technical data.

Any other use of the product beyond the intended use is considered as incorrect use. The manufacturer is not responsible for any damages or injuries as a result of incorrect use or disobedience to instructions stated in this User manual. All risks shall be solely borne by the user/operator.

4. GENERAL SAFETY INSTRUCTION

The product is designed and manufactured so that any risks connected with its use are minimized and the product is safe for the user and surrounding when used according to the intended use and the instructions stated below are followed.

4.1. Required qualification of the personnel

- Each user must be trained by the manufacturer or an organization authorized by the manufacturer or instructed on the device operation by other trained user.
- Installation, new settings, changes, extensions and repairs of the product may be performed by the manufacturer or an organization authorized by the manufacturer (hereinafter qualified technician).
- Otherwise the manufacturer is not responsible for safety, reliability and correct functioning of the product.

4.2. General instruction

- When operating the compressor, all acts and local regulations valid in the place of use must be observed. The operator and user are responsible for following the applicable regulations.
- Before every use, the user must check, if the device is functioning correctly and safely. Before building the compressor in other devices, the supplier must assess, if the supplied air and construction of the device comply with the requirements of the specified intended use. Taking this into account, follow the product technical data. Assessment of conformity shall be performed by the manufacturer – supplier of the final product.

4.3. Protection from dangerous voltage and pressure

- The device can be connected only to a properly mounted socket with protective earthing.
- Before connecting the product, check if mains voltage and mains frequency stated on the product are in compliance with the values of the mains.
- Before putting the product into operation, check eventual damages to connected pneumatic hoses and electrical cables. Replace damaged pneumatic hoses and electrical cables immediately.
- Immediately disconnect the product from the mains (pull out the mains plug) in hazardous situations or technical disorders.
- Safety valve settings must not be changed and used to depressurize the air tank.

4.4. Original spare parts and accessories

- Safety of operating staff and failure-free operation of the product are guaranteed only when original spare parts are used. Only accessories and spare parts stated in the technical documentation or expressly approved by the manufacturer may be used.
- The guarantee does not apply to damages arising from use of accessories and spare parts other than prescribed or recommended by the manufacturer and the manufacture is not responsible for them.

5. STORAGE AND TRANSPORT

The manufacturer ships the compressor in a transport packaging. This protects the device from damage during transport.



Risk of damage to pneumatic parts.

The compressor may be transported only depressurized. Vent air pressure from the pressure tank and pressure hoses and drain condensate from the air tank before transporting the compressor.



Original packaging must be kept for eventual return of the device. If possible, always use the original compressor packaging for optimal protection of the product. If it is necessary to return the product within the guarantee period, the manufacturer does not guarantee for damages caused by incorrect packaging of the product.



Transport the compressor in an upright position, always secured by transport fixing elements.



Protect the compressor from high humidity, dirt and extreme temperatures during transport and storage. Do not store together with volatile chemical substances.



If it is not possible to keep the original packaging, dispose of the packaging in an environmentally friendly way. Transport cardboard can be recycled with old paper.



It is not permitted to store and transport the device outside the defined conditions, see below.

5.1. Ambient conditions

Products can be stored in rooms and means of transport that are free from any traces of volatile chemical substances under the following climatic conditions:

Temperature	from -25°C o $+55^{\circ}\text{C}$, in 24h to $+70^{\circ}\text{C}$
Relative humidity	max. 90% (without condensation/ non-condensing)

PRODUCT DESCRIPTION

6. VARIANTS

The compressor is manufactured according to its intended application in the following variants:

DK50 PLUS	compressor on base for stand-alone room installations
DK50 PLUS/M	compressor on base with air dryer
DK50 PLUS S	compressor in cabinet with effective noise dampening for room installations
DK50 PLUS S/M	compressor in cabinet with air dryer
DK50 2V	compressor on base for stand-alone room installations
DK50 2V/M	compressor on base with air dryer
DK50 2V S	compressor in cabinet with effective noise dampening for room installations
DK50 2V S/M	compressor in cabinet with air dryer



DK50 PLUS



DK50 2V



DK50 PLUS S
DK50 2V S

7. ACCESORIES

Accessories are not included in a standard order, they must be ordered separately.

Automatic condensate drain

The automatic condensate drain (AOK) automatically drains condensate from the compressor's air tank based on a pre-set time interval. The condensate drain (AOK) is a suitable accessory for compressor models without dryers.

Type	Use	Article number
AOK 11	DK50 PLUS, DK50 2V	447000001-047

Set of compressed air outlet filters

The compressor may be equipped with a set of filters if specified. The filter set may be equipped with an air pressure regulator.



Where a different level of air filtration is required, this requirement must be agreed upon with the supplier and specified in the order.

Type	Use	Level of filtration (µm)	Article number
FS 30F	DK50 PLUS	1	604014119-014
FS 30M	Dk50 PLUS/M	1+0.1	604014119-015
FS 30S	DK50 2V	1+0.01	604014119-017
FS 30A	DK50 2V/M	1+0.01+A**	604014119-018

**) A – submicrofilter with activated carbon

Filters set regulator assembly

The compressor may be equipped with a pressure regulator of the compressed air outlet if specified. The regulator must be selected according to the application to the filter set, or separately The regulator shall ensure constant pressure at the outlet.

Type	Use	Article number
Regulator complete (to the filter assembly)	DK50 PLUS, DK50 PLUS/M	604014130-000
REG11 (separate)	DK50 2V, DK50 2V/M	447000001-077

Filter set brackets



A suitable bracket must be ordered for every filter set.

Type	Use	Article number
Compressor-mounted bracket	DK50 PLUS, DK50 PLUS/M DK50 2V, DK50 2V/M	603014134-000

Condensation and filtration unit

The compressor can be equipped with a condensation and filtration unit (KJF-1 or KJFR-1). The unit is used to cool the compressed air from the air tank in the cooler, to capture condensate in the filter, to drain condensate automatically from the pneumatic system and to filter the compressed air.

Type	Use	Level of filtration /µm/	Pressure regulator	Article number
KJF-1	DK50 PLUS	5	no	450001011-001
KJFR-1			yes	450001011-002
KJF-2	DK50 2V		no	450001021-001

Equipotential bonding socket

The socket provides protective bonding.

Type	Use	Name	Article number
POAG-KBT6-EC	DK50 PLUS S	Mains plug connector	033400075-000
	DK50 PLUS S/M		
FLEXI-S/POAG-HK6	DK50 2VS, DK50 2VS/M	Conductor (1 m)	034110083-000

8. PRODUCT FUNCTION

8.1. Compressor

Fig. 1: Compressor air pump (1) sucks the atmospheric air in through the inlet filter (8) and compresses it through the non-return valve (3) into the air tank (2) from which the device draws in the compressed air. If the pressure in the air tank drops to the switch-on pressure, the pressure switch (4) switches the compressor on and the compressor compresses the air into the air tank until it reaches the switch-off pressure, when the compressor switches off. The pressure hose is vented through the solenoid relief valve (13) once the compressor pump is switched off. The safety valve (5) prevents the pressure in the air tank from rising above the maximum allowed value. The drain valve (7) drains the condensate from the air tank. Compressed, oil-free filtered air is stored in the air tank ready for use.

Condensate must be drained from the air tank at regular intervals (see chapter 17.1).

8.2. Compressor with membrane dryer

Fig. 2: Compressor air pump (1) draws in air through an inlet filter (8) and compresses it, feeding it to the cooler (14) through the filter (15) and the check valve (3) into the dryer (9), and feeds the clean and dry air into the air tank (2). A part of the air is released from the dryer with the captured moisture, which is manifested as a light air stream along the body of the dryer (9). Condensate from the filter is automatically drained at regular intervals into the collecting bottle via the condensate drain solenoid valve (16). The dryer ensures continuous drying of the compressed air. The drain valve (7) drains condensate from the air tank when drying performance is checked. Compressed, oil-free filtered air is stored in the air tank ready for use.

For the membrane dryer to work as intended, the dryer is connected directly to the air tank without the use of a check valve. As the membrane dryer contains selective membrane fibres, there is a small amount of air leakage through them (about 0.5 bar/30 min).

As a result, there is a gradual, slow drop in pressure even when there is no demand for compressed air (from the air tank), however, this is not a malfunction.

The pressure tank is dry and does not need to be drained.

8.3. Compressor cabinet

Fig. 3: The soundproof cabinet provides compact covering of the compressor, dampens noise efficiently, providing sufficient exchange of cooling air. The fan under the compressor pump provides cooling of the compressor. It is in operation at the same time with the compressor motor or after switching on the temperature switch at temperature above 40°C. After cooling the cabinet area approximately under 32°C, the fan turns off automatically.

Door of the casing with right opening may be changed to left opening (see Chapter 10.2).



Risk of compressor overheating.

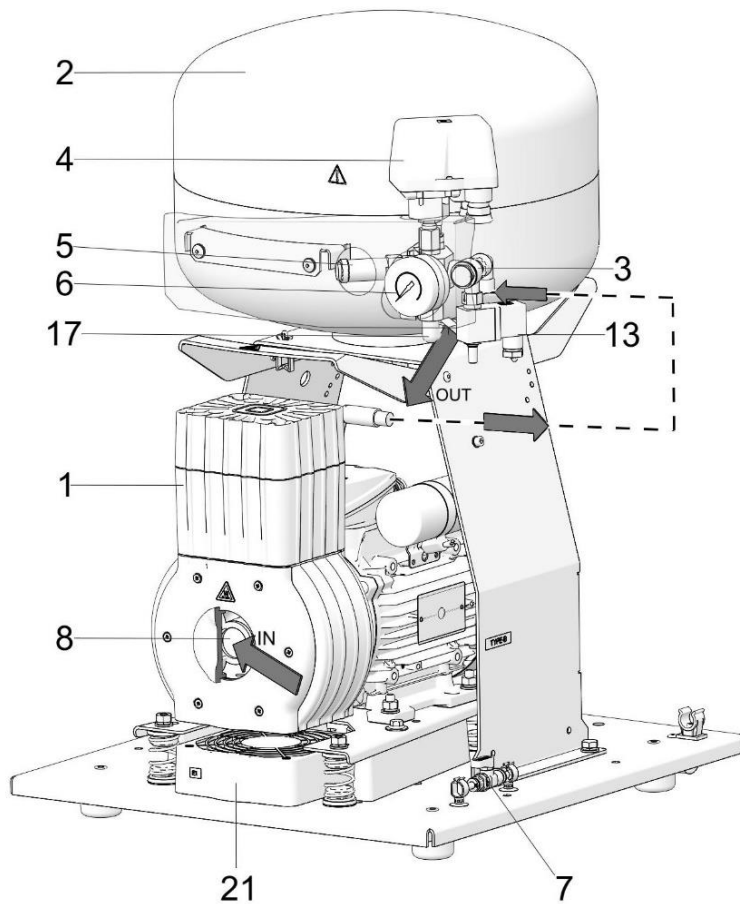
Make sure that there are no obstacles at the cooling air inlet into the cabinet (around the bottom part of the cabinet) and at the hot air outlet on the top back side of the cabinet.

If the compressor is placed on a soft floor, e.g. carpet, create space between the base and the floor or the cabinet and the floor, e.g. underlay the footings with hard pads to ensure sufficient cooling of the compressor.

The 8-10 bar compressor model is equipped with an hour counter.

Fig. 1: DK50 PLUS – Compressor

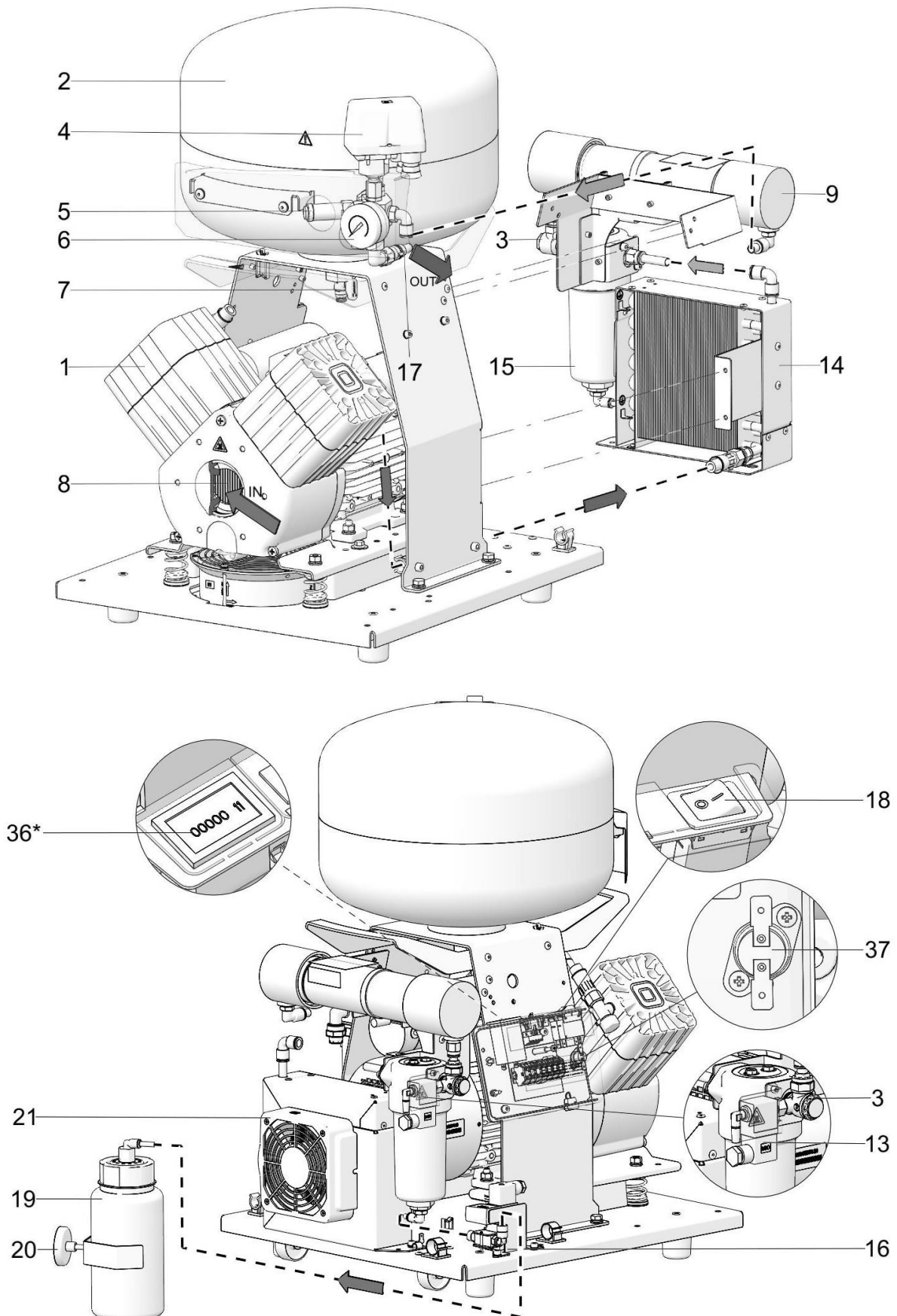
Description to Figures 1 - 3



- 1 Air pump
- 2 Air tank
- 3 Non-return valve
- 4 Pressure switch
- 5 Safety valve
- 6 Pressure gauge
- 7 Drain valve
- 8 Inlet filter
- 9 Dryer
- 10 –
- 11 –
- 12 –
- 13 Solenoid valve
- 14 Dryer cooler
- 15 Filter
- 16 Solenoid valve of condensate drain
- 17 Compressed air outlet
- 18 Circuit breaker switch
- 19 Condensate collection vessel
- 20 Magnetic holder
- 21 Fan
- 22 Cabinet fan
- 23 Door pin
- 24 Rectifying screw
- 25 Lock
- 26 Supporting bracket
- 27 Wall stop
- 28 Switch
- 29 Pressure gauge
- 30 Door hinge
- 31 Handle
- 32 Casters
- 33 Pressure gauge hose
- 34 Socket
- 35 Cabinet connector with cord
- 36 *Hour counter
- 37 Thermostat

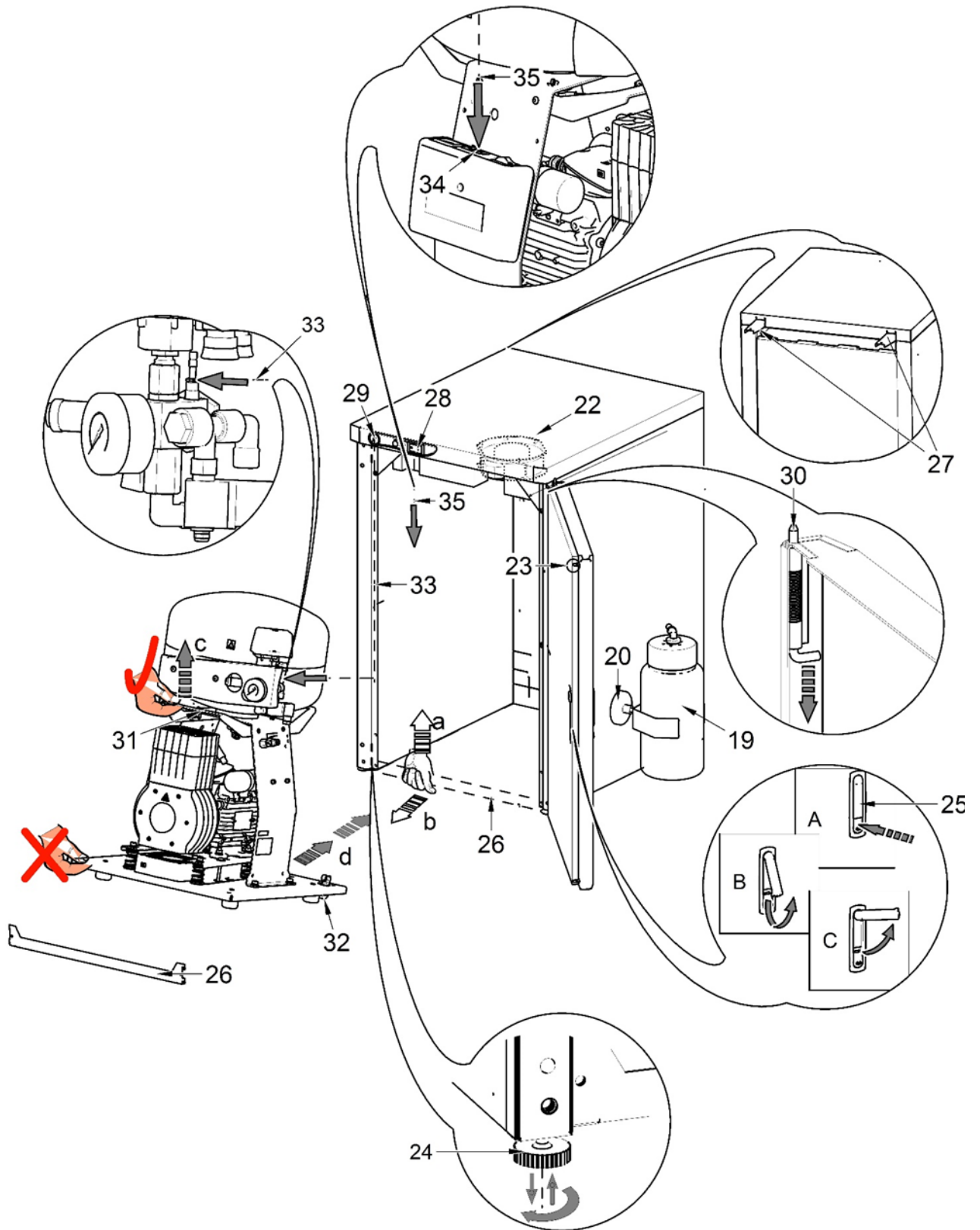
* Hour counter installed only for the 8-10bar compressor model.

Fig. 2: DK50 2V/M – Compressor with dryer



* Hour counter installed only for the 8-10bar compressor model.

Fig. 3: – Cabinet



TECHNICAL DATA

Compressors are designed to operate in dry, ventilated and indoor dust-free rooms with the following climatic conditions:

Temperature from +5°C to +40°C

Relative humidity max. 70%

Working pressure 6 – 8 bar		DK50 PLUS		DK50PLUS S		DK50 PLUS/M		DK50 PLUS S/M	
Nominal voltage	V, Hz	230,	115,	230,	115,	230,	115,	230,	115,
Frequency ^{a)}		50/60	60	50/60	60	50/60	60	50/60	60
Capacity at 6 bar (FAD)	l/min	70/80	80	70/80	80	60/70	70	60/70	70
Working pressure ^{b)}	bar	6.0 – 8.0		6.0 – 8.0		6.0 – 8.0		6.0 – 8.0	
Max. current	A	5.1/5.4	9.8	5.2/5.5	10.0	5.3/5.6	10.0	5.4/5.7	10.2
Motor power	kW	0.55		0.55		0.55		0.55	
Air tank volume	l	25		25		25		25	
Air quality - filtration	µm	-		-		0.1		0.1	
Maximum operating pressure of safety	bar	9,0/11.0 ^{d)}		9,0/11.0 ^{d)}		9,0/11.0 ^{d)}		9,0/11.0 ^{d)}	
Noise level at 5 bar (L _{pA}) ^{e)}	dB	≤ 65/67	≤ 67	≤ 47/50	≤ 50	≤ 65/67	≤ 67	≤ 47/50	≤ 50
Operating mode	%	S1-100		S1-100		S1-100		S1-100	
PDP drying at 7 bar	°C	-		-		≤+3		≤+3	
Time to fill air tank from 0 to 7 bar	s	150/125	125	150/125	125	175/150	150	175/150	150
Dimensions (net) w x d x h	mm	460x500x708		560x675x877		460x565x708		560x675x877	
Net weight ^{e)}	kg	48		87 ⁾		53		92	

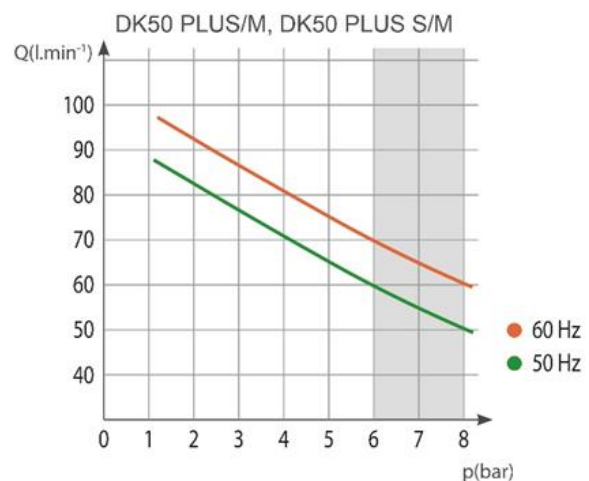
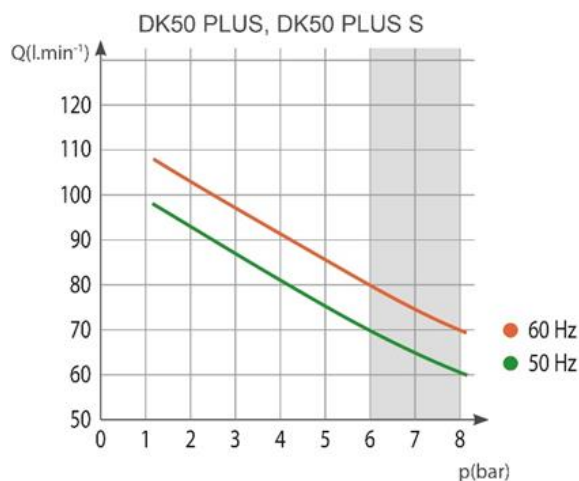
a) State the compressor variant in the order

b) For other range of pressure consult with the supplier

c) Weight value is only informative data and applies only to a product without any accessories

d) Applicable to special variants

e) The sound pressure level measured at a distance of 1.5 m using an A-weighting (filter).

Dependence of compressor capacity on working pressure


Working pressure 8 – 10 bar		DK50 PLUS		DK50PLUS S		DK50 PLUS/M		DK50 PLUS S/M	
Nominal voltage Frequency ^{a)}	V, Hz	230, 50/60	115, 60	230, 50/60	115, 60	230, 50/60	115, 60	230, 50/60	115, 60
Capacity at 8 bar (FAD)	l/min	60/70	70	60/70	70	50/60	60	50/60	60
Working pressure ^{b)}	bar	8.0 – 10.0		8.0 – 10.0		8.0 – 10.0		8.0 – 10.0	
Max. current	A	5.3/5.5	10.2	5.4/5.6	10.5	5.5/5.7	10.5	5.6/5.8	10.7
Motor power	kW	0.55		0.55		0.55		0.55	
Air tank volume	l	25		25		25		25	
Air quality – filtration	µm	-		-		0.1		0.1	
Maximum operating pressure of safety valve	bar	11.0		11.0		11.0		11.0	
Noise level at 5 bar (L _{pA}) ^{d)}	dB	≤ 65/67	≤ 67	≤ 47/50	≤ 50	≤ 65/67	≤ 67	≤ 47/50	≤ 50
Operating mode	%	S1-100		S1-100		S1-100		S1-100	
PDP drying at 7 bar	°C	-		-		≤+3		≤+3	
Time to fill air tank from 0 to 7 bar	s	150/125	125	150/125	125	175/150	150	175/150	150
Dimensions (net) w x d x h	mm	460x500x708		560x675x877		460x565x708		560x675x877	
Net weight ^{c)}	kg	48		87		53		92	

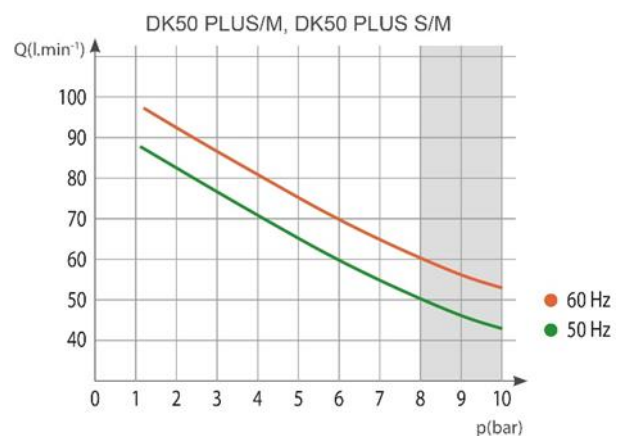
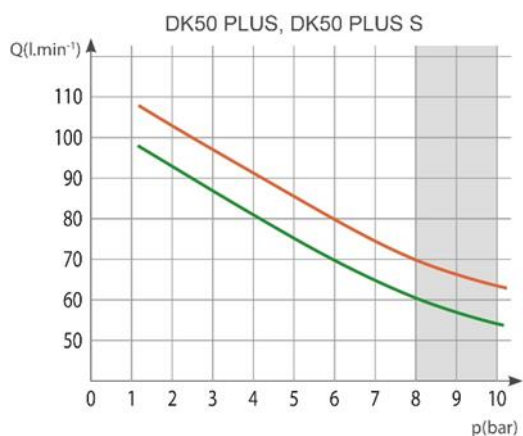
a) State the compressor variant in the order

b) For other range of pressure consult with the supplier

c) Weight value is only informative data and applies only to a product without any accessories

d) The sound pressure level measured at a distance of 1.5 m using an A-weighting (filter).

Dependence of compressor capacity on working pressure



Working pressure 6 – 8 bar		DK50 2V		DK50 2V S		DK50 2V/M		DK50 2V S/M	
Nominal voltage Frequency ^{a)}	V, Hz	230, 50 3x400, 50	230,60 115,60	230,50 3x400, 50	230,60 115,60	230,50 3x400, 50	230,60 115,60	230,50 3x400, 50	230, 60 115, 60
Capacity at 6 bar (FAD)	l/min	135		135		104		104	
Working pressure ^{b)}	bar	6.0 – 8.0		6.0 – 8.0		6.0 – 8.0		6.0 – 8.0	
Max. current	A	8.6 3.8	9.2 16.5	8.8 4.0	9.4 16.8	8.7 3.9	9.3 16.8	8.9 4.1	9.5 17.0
Motor power	kW	1.2 1.2	1.2 1.1	1.2 1.2	1.2 1.1	1.2 1.2	1.2 1.1	1.2 1.2	1.2 1.1
Air tank volume	l	25		25		25		25	
Air quality – filtration	µm	-		-		0.1		0.1	
Maximum operating pressure of safety valve	bar	9,0/11.0 ^{d)}		9,0/11.0 ^{d)}		9,0/11.0 ^{d)}		9,0/11.0 ^{d)}	
Noise level at 5 bar (L _{pA}) ^{e)}	dB	≤68		≤53		≤68		≤54	
Operating mode	%	S1-100		S1-100		S1-100		S1-100	
PDP drying at 7 bar	°C	-		-		≤+3		≤+3	
Time to fill air tank from 0 to 7 bar	s	75		75		80		80	
Dimensions (net) w x d x h	mm	460x500x720		560x675x877		460x565x720		560x675x877	
Net weight ^{c)}	kg	55 53	55	93 91	93	60 58	60	98 96	98

^{a)} State the compressor variant in the order

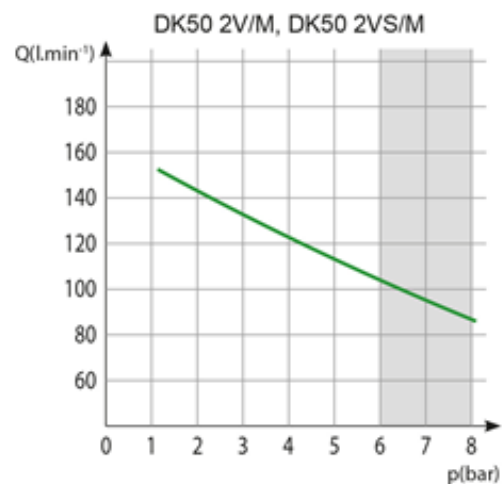
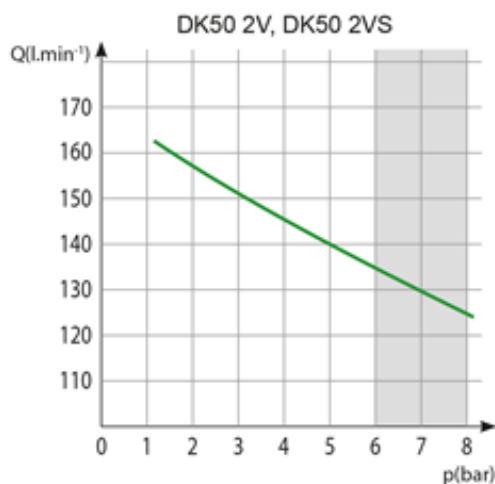
^{b)} For other range of pressure consult with the supplier

^{c)} Weight value is only informative data and applies only to a product without any accessories

^{d)} Applicable to special variants

^{e)} The sound pressure level measured at a distance of 1.5 m using an A-weighting (filter).

Dependence of compressor capacity on working pressure



Working pressure 8 – 10 bar		DK50 2V		DK50 2V S		DK50 2V/M		DK50 2V S/M	
Nominal voltage Frequency ^{a)}	V, Hz	230,50 3x400, 50	230, 60 115, 60	230,50 3x400, 50	230,60 115,60	230,50 3x400, 50	230, 60 115, 60	230,50 3x400, 50	230, 60 115,60
Capacity at 8 bar (FAD)	l/min	110		110		87		87	
Working pressure ^{b)}	bar	8.0 – 10.0		8.0 – 10.0		8.0 – 10.0		8.0 – 10.0	
Max. current	A	8.4 4.6	9.3 18.6	8.6 4.8	9.5 18.8	8.5 4.7	9.4 18. 7	8.7 4.9	9.6 18.9
Motor power	kW	1.2 1.2	1.2 1.1	1.2 1.2	1.2 1.1	1.2 1.2	1.2 1.1	1.2 1.2	1.2 1.1
Air tank volume	l	25		25		25		25	
Air quality - filtration	µm	-		-		0.1		0.1	
Maximum operating pressure of safety valve	bar	11.0		11.0		11.0		11.0	
Noise level at 5 bar (L _{pA}) ^{d)}	dB	≤68		≤53		≤68		≤54	
Operating mode	%	S1-100		S1-100		S1-100		S1-100	
PDP drying at 7 bar	°C	-		-		≤+3		≤+3	
Time to fill air tank from 0 to 7 bar	s	85		85		90		90	
Dimensions (net) w x d x h	mm	460x500x720		560x675x877		460x565x720		560x675x877	
Net weight ^{c)}	kg	58 56	58	96 94	96	63 61	63	101 99	101

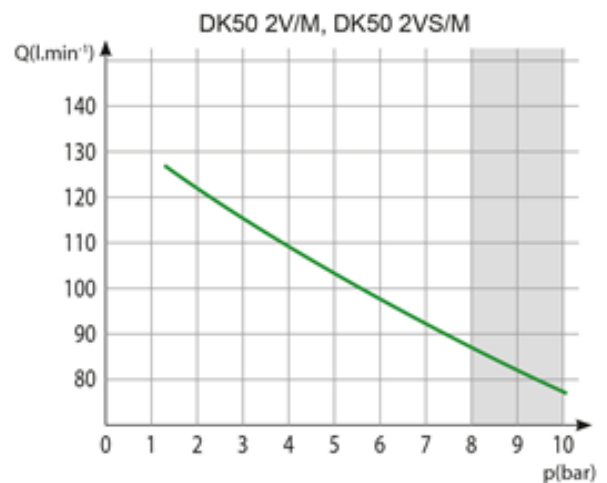
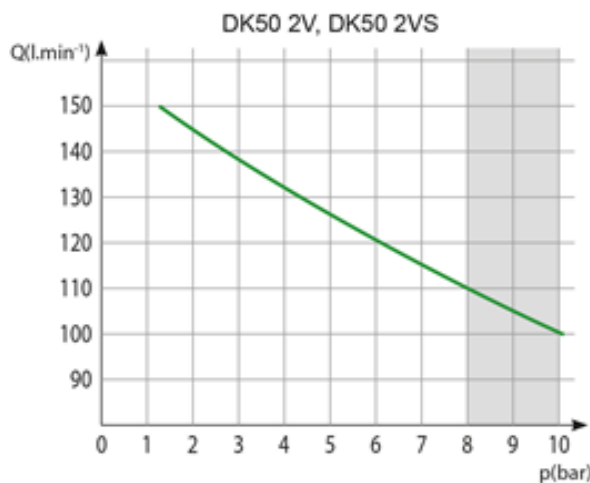
a) State the compressor variant in the order

b) For other range of pressure consult with the supplier

c) Weight value is only informative data and applies only to a product without any accessories

d) The sound pressure level measured at a distance of 1.5 m using an A-weighting (filter).

Dependence of compressor capacity on working pressure



FAD correction of capacity for altitude

Capacity given in the form of FAD („Free Air Delivery“) applies to the following conditions:

Altitude	0 m.n.m.	Temperature	20°C
Atmospheric pressure	101325 Pa	Relative humidity	0%

To calculate FAD compressor capacity in dependence on altitude, it is necessary to apply correction factor according to the following table:

Altitude [m.n.m.]	0 -1500	1501 - 2500	2501 - 3500	3501 - 4500
FAD correction factor	1	0,8	0,71	0,60

INSTALLATION**Risk of incorrect installation.**

Only a qualified professional can install the compressor and place it into operation for the first time. His obligation is to train the operating personnel on the use and maintenance of the device. He shall confirm installation and training of operators by an entry into the installation record (See warranty card).

9. INSTALLATION CONDITIONS

- The compressor may only be installed and operated in dry, well-ventilated and dust-free rooms with conditions stated in Technical data.

**Risk of damage to the device.**

Do not operate the device in outdoor environment or in humid or wet rooms.

**Explosion risk.**

Do not install the device in any rooms, in which explosive gases, dusts or flammable liquids may be present.

- The compressor must be installed in such a way, that it is accessible at all times for operation and maintenance and label on the device is accessible.
- The compressor must stand on a flat, sufficiently stable base (be aware of the compressor weight, see Technical data).



You may notice a “new product” odour when you first place the product into service (for a short period of time). This odour is temporary and does not impede the normal use of the product. Ensure the space is properly ventilated after installation.

10. COMPRESSOR ASSEMBLY**10.1. Manipulation and fixation removal**

- Unpack the compressor from the packaging.
- Put the compressor at the place of operation (Fig. 4).

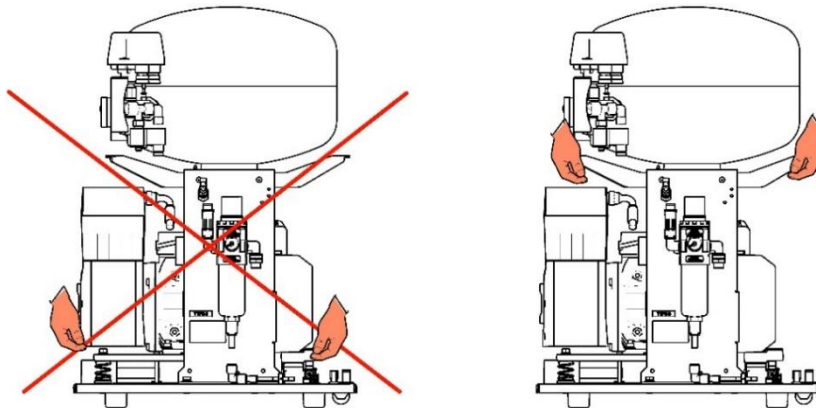


Use the handles on the compressor to move the compressor as needed. Do not use other parts of the compressor (the air pump, cooler, etc.) for grip



The number of persons required to handle the equipment must be matched to the weight of the device.

Fig. 4: Manipulation with the compressor



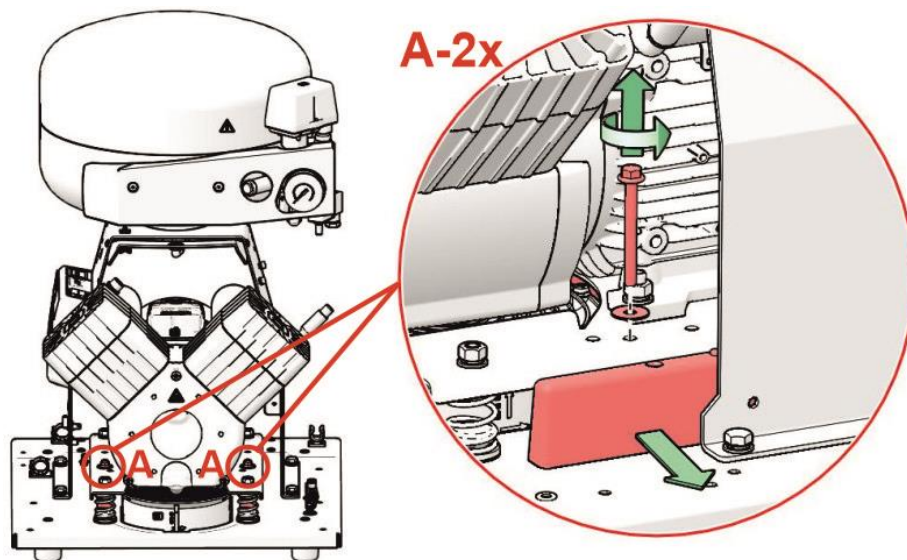
- Remove transport fixing elements from the air pumps (Fig. 5).



Prior to installation, ensure that the compressor is free of all transport packaging and stabilizers to avoid any risk of damage to the product.

Remove fixing elements of the air pumps once the compressor has been assembled and balanced at the final installation place.

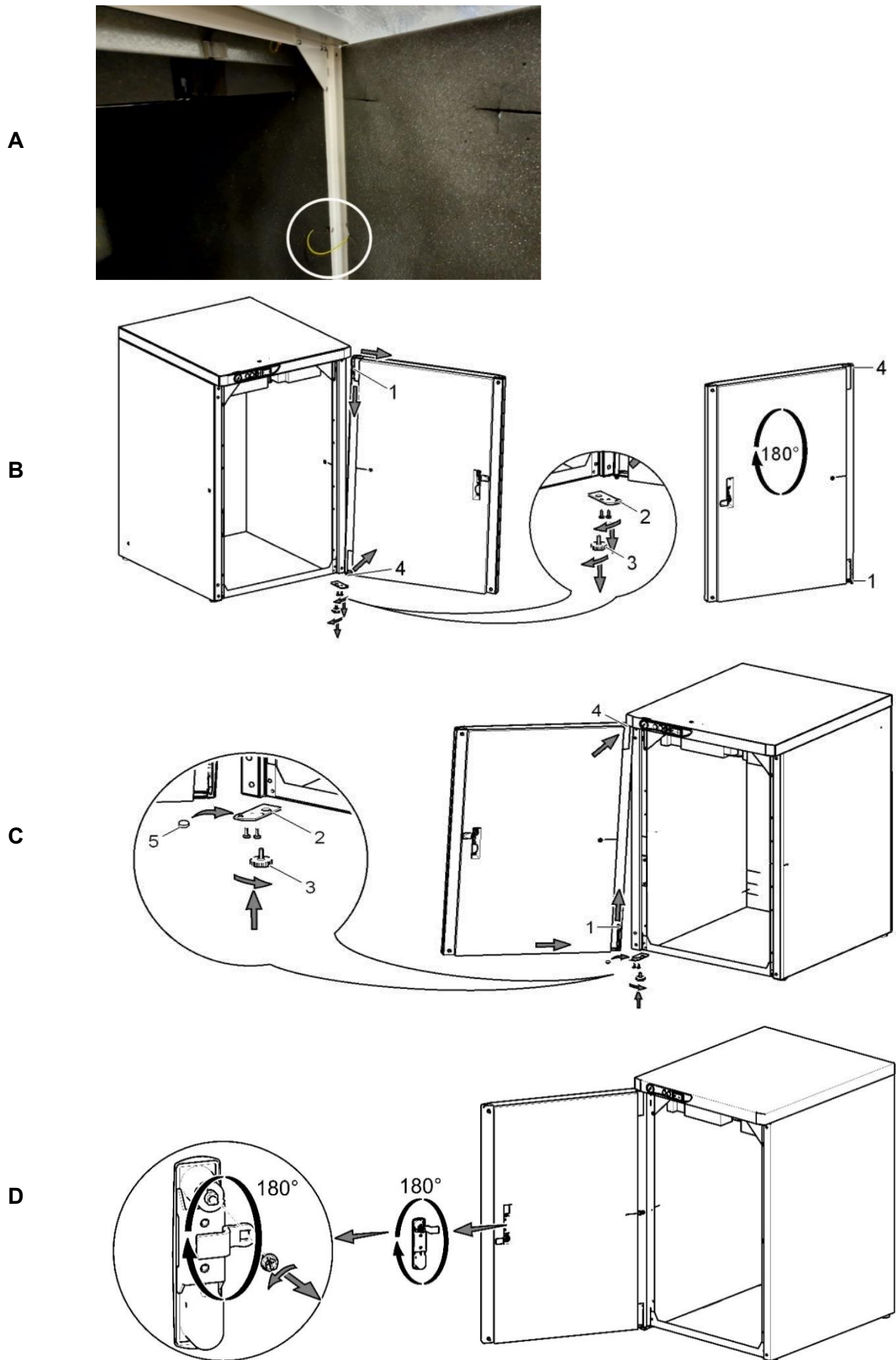
Fig. 5: Releasing the pump



10.2. Changing door direction

- Disconnect the earthing conductor from the cabinet. (A)
- Remove the door, the rectifying screws on both sides of the cabinet (3) and the hinge (4) bracket (2). (B)
- Install the bracket for hinge (2) on the left side of the cabinet. (C)
- Rotate the door 180°. (B)
- Insert the spacer (5) between hinge (1) and the bottom of the door. (C)
- Install the door, the 2 rectification screws (3) and connect the earthing conductor. (C)
- Remove the door lock (6) and rotate 180°. (D)
- Remove the latch (7) and rotate 180°. (D)
- Install the lock. (D)

Fig. 6: Changing door direction



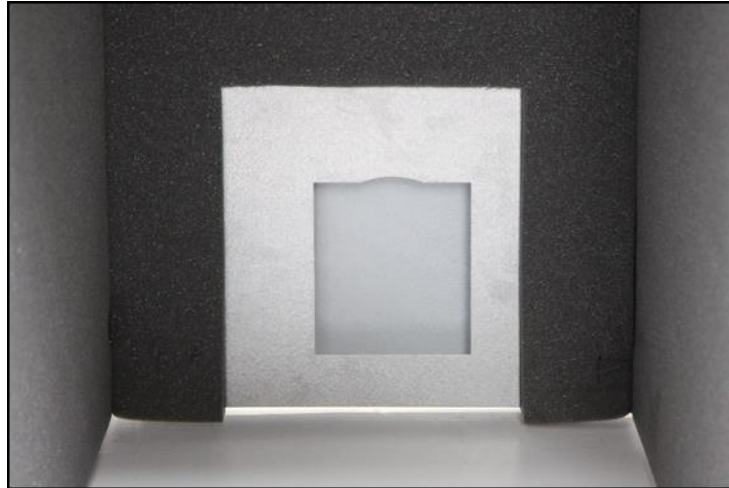
10.3. Adding sound-insulating material into the cabinet

A component from the sound-insulating material is to be installed in the opening of the cabinet of the compressor without a dryer.

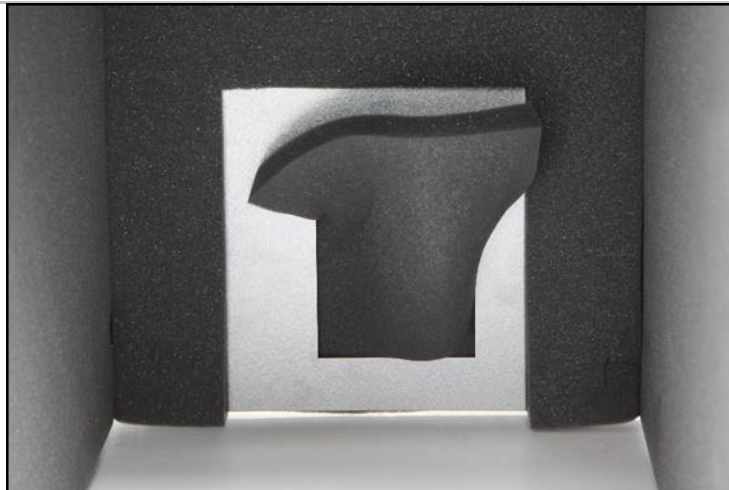
This component is provided in the basic equipment delivered with the product.

Fig. 7: Adding sound-insulating material into the cabinet

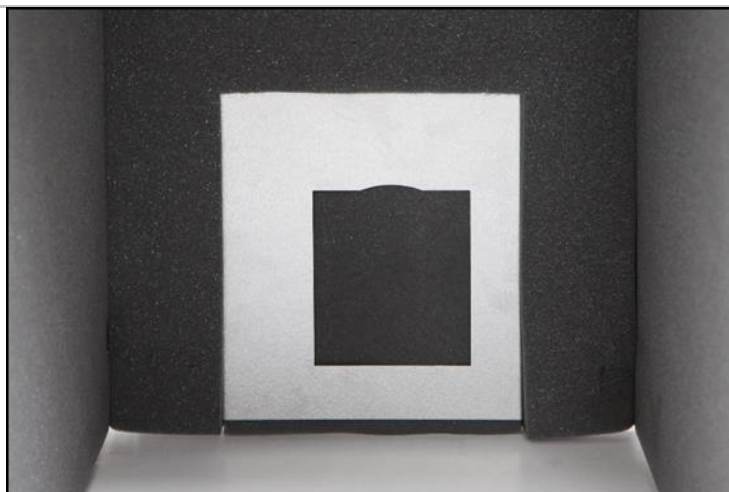
A



B



C



11. PNEUMATIC CONNECTION

11.1. Connecting to the compressed air outlet

- The pressure line (2) is attached to the compressed air outlet (1) on the compressor.
- Route the pressure hose through the opening in the rear wall of the cabinet for cabinet-mounted compressors.

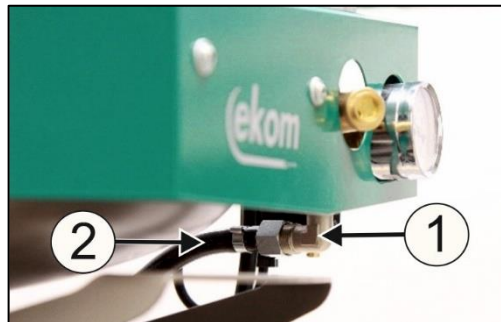


Fig. 8: Connecting to the compressed air outlet

11.2. Connecting the cabinet pressure gauge to the compressor

- Remove the plug (1) from the threads (2) on the pneumatic block of the compressor
- Connect the cabinet pressure gauge hose to the threaded fitting

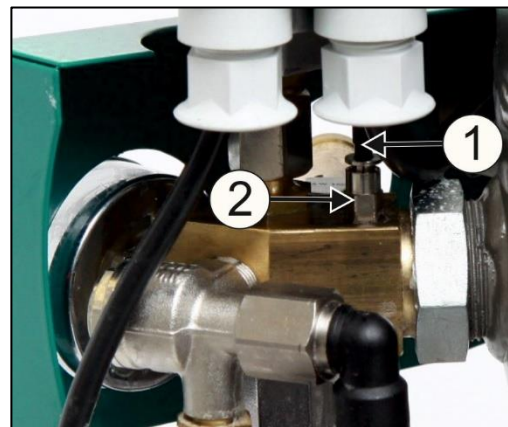
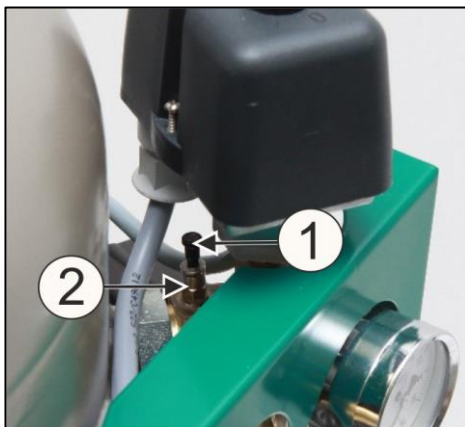
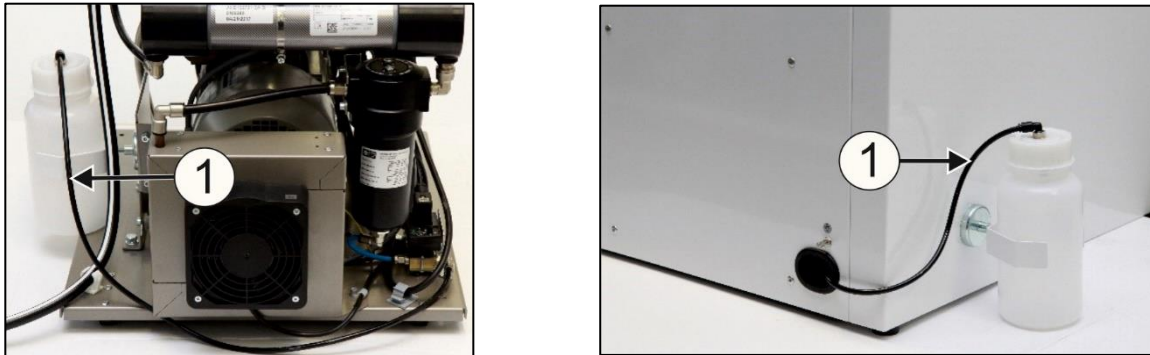


Fig. 9: Connecting the cabinet pressure gauge to the compressor

11.3. Connecting the condensate vessel

- Connect the condensate drain hose to the condensate collection vessel on compressors in cabinet.(Fig. 10)

Fig. 10: Connection of condensate collection vessel

- Route the hose through the opening in the rear wall of the cabinet for compressors with dryers.

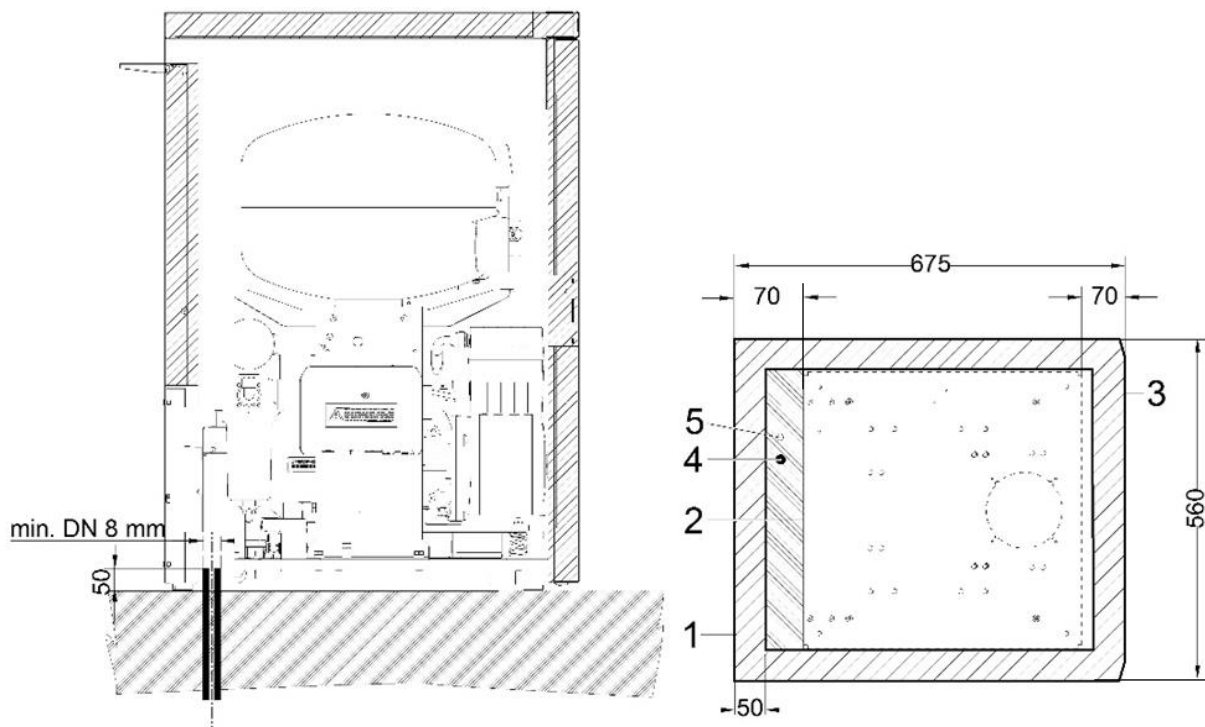


Risk of damage to pneumatic components.

Air hoses must not be broken.

11.4. Floor installation

Connect the compressor using the hoses prepared in advance in the floor, as per the installation plan.



- 1 - Outline of the cabinet
- 2 - Outline of the base
- 3 - Front section - door
- 4 - Compressed air connection, G3/8"
- 5 - Power supply input:
230V/50(60)Hz 3Gx1.0x4000
3x400V/50Hz 5Gx1.0x4000

- all dimensions are in millimetres
- distance from wall min. 100 mm

Fig. 11: Floor installation

12. ELECTRICAL CONNECTION

- The product is delivered with a cord equipped with a plug with earthing pin.
- Keep the socket easily accessible to ensure that the device can be safely disconnected from the mains.
- The corresponding circuit must be protected in the power distribution max. 16 A.



Risk of electric shock.

it is necessary to follow all local electrotechnical regulations. The mains voltage and frequency must comply with the data stated on the device label.



Risk of fire and electric shock.

Electrical cable must not be in contact with hot compressor components.



Risk of fire and electric shock.

Electrical cord must not be broken.



DK50 PLUS S/M, DK50 2V S/M compressor cabinet, variant 10 bar, is equipped with a cooling fan and a switch. The cabinet must be connected using the cord with a connector to a connector at the compressor electrical box.

- Connect the pin for equipotential bonding \varnothing 6 mm (1) to the electrical circuit using the defined method under valid electrical engineering regulations.
- The socket for equipotential bonding (2) is an accessory and is not provided in the basic package.



Fig. 12: Equipotential bonding

12.1. Connecting a compressor not installed in a cabinet

- Insert the mains plug into a rated mains socket.
- The compressor is ready for operation.

12.2. Connecting a compressor installed in a cabinet

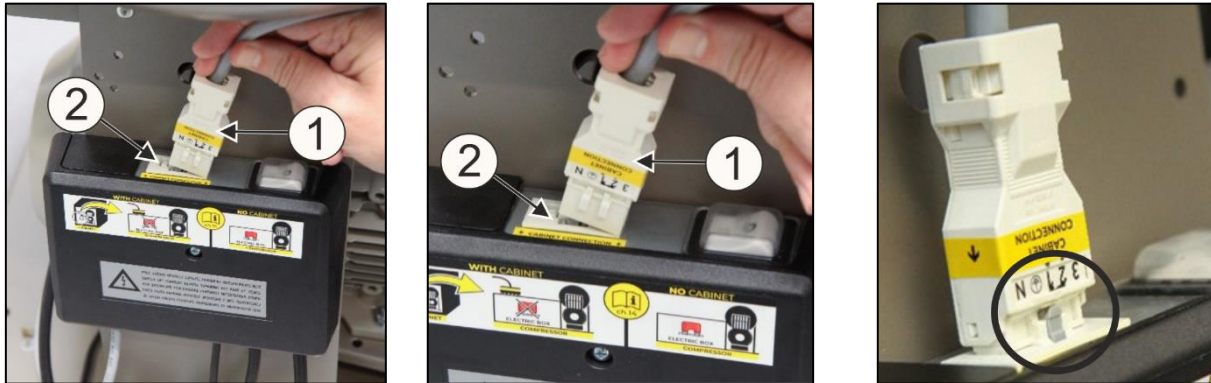
- Route the mains plug through the opening in the rear wall of the cabinet for cabinet-mounted compressors.



Fig. 13: Connecting a compressor installed in a cabinet

- Connect the cabinet electrically to the compressor by inserting the provided power cord with connector (1) into an outlet. (Fig. 14)
- Disconnect the cabinet electrically from the compressor by pulling the connector (1) from the outlet while the latch is released.

Fig. 14: Connecting a compressor installed in a cabinet



13. COMMISSIONING

- Check if all fixing elements used during transport have been removed.
- Check correct connection of compressed air (see chapter 11).
- Check correct connection to the mains (see chapter 12).
- Check position of the circuit breaker switch, it must be in position „I“. If it is in position „0“, turn the switch (4) to position „I“. (Fig. 15).
- On DK50-10S/M (8 - 10bar) compressor, switch the switch (5) on the front side of the cabinet to position „I“, the green light indicates the device status in operation. (Fig. 15).
- Check, if compressor cabinet (only 8 - 10 bar) is connected with the compressor by a cable with a connector. (Fig. 14).
- Check the connection of the the cabinet pressure gauge hose to the compressor pneumatic block.

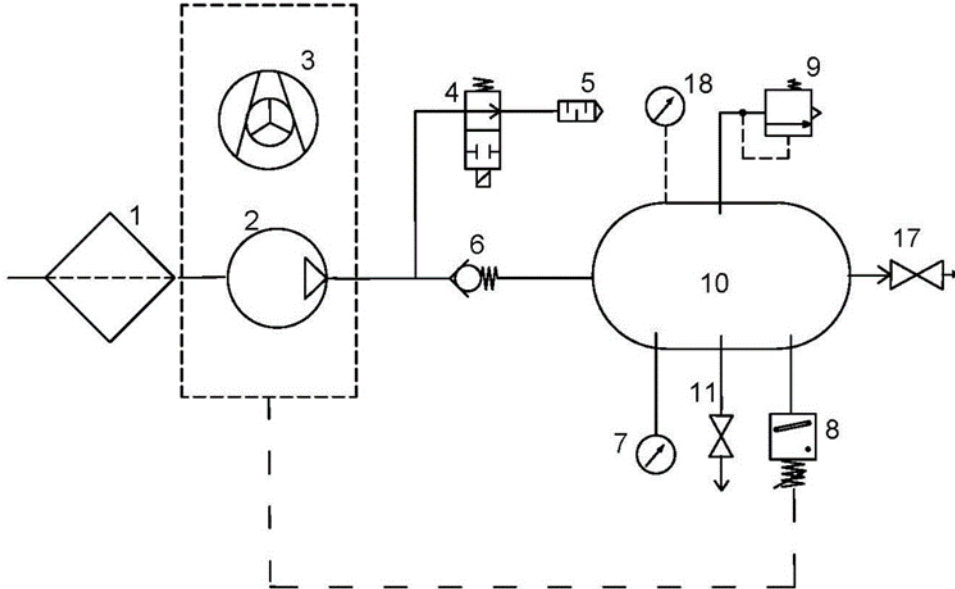


The compressor is not equipped with a backup power supply.

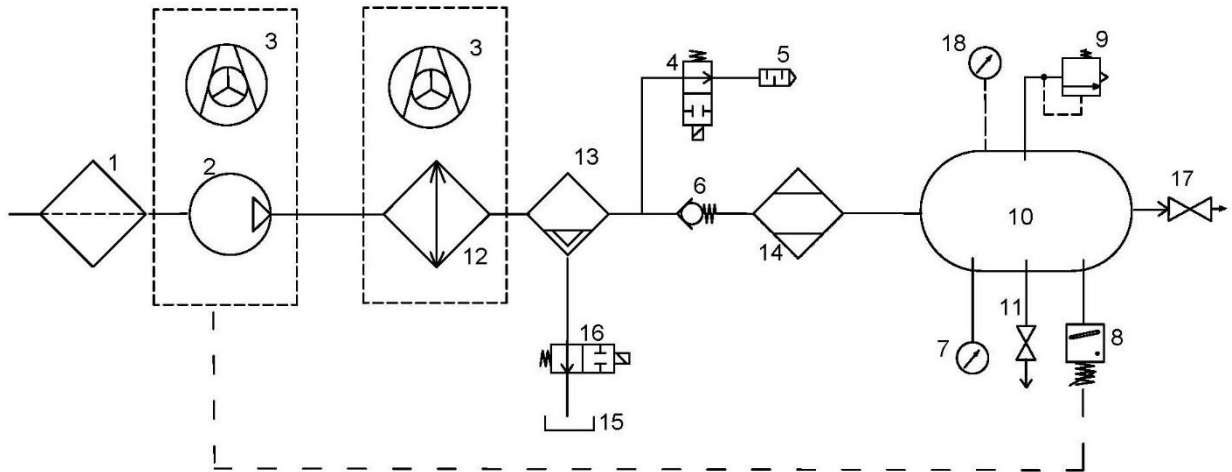
14. PNEUMATIC AND ELECTRICAL DIAGRAMS

14.1. Pneumatic diagram

DK50 PLUS, DK50 PLUS S, DK50 2V, DK50 2V S



DK50 PLUS/M, DK50 PLUS S/M, DK50 2V/M, DK50 2V S/M



Description to pneumatic diagrams

- | | |
|--------------------|---------------------------------------|
| 1 Inlet filter | 10 Air tank |
| 2 Compressor | 11 Drain valve |
| 3 Fan | 12 Cooler |
| 4 Relief valve | 13 Coalescing filter |
| 5 Noise dampener | 14 Membrane dryer |
| 6 Non-return valve | 15 Condensate collection vessel |
| 7 Pressure gauge | 16 Solenoid valve of condensate drain |
| 8 Pressure switch | 17 Outlet valve |
| 9 Safety valve | 18 Cabinet pressure gauge |

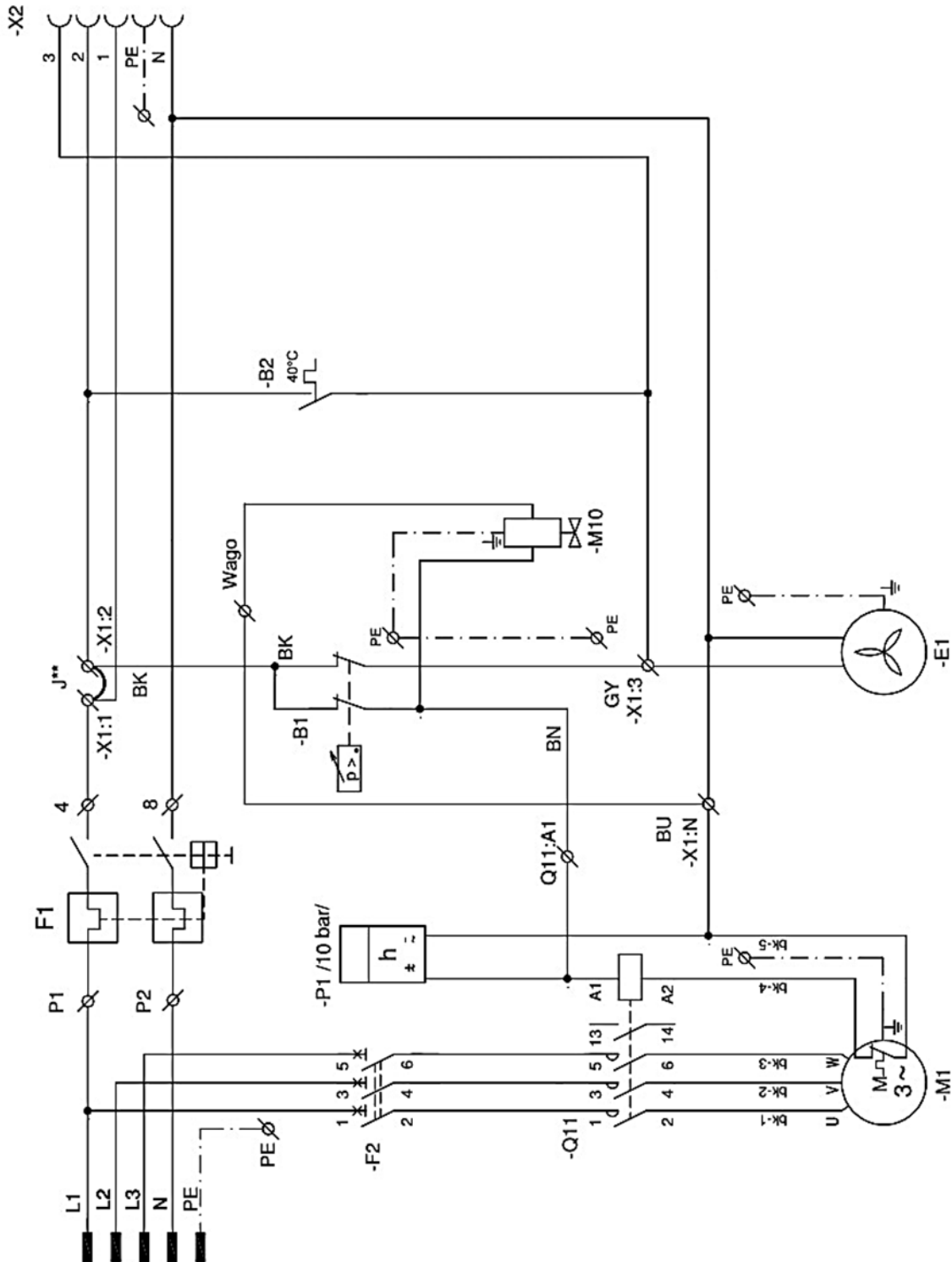
DK50 2V, DK50 2V S

6 - 8 bar, 8 - 10 bar

3/N/PE 400 V, 50 Hz

ELECTRICAL MAINS TN-S [TN-C-S]

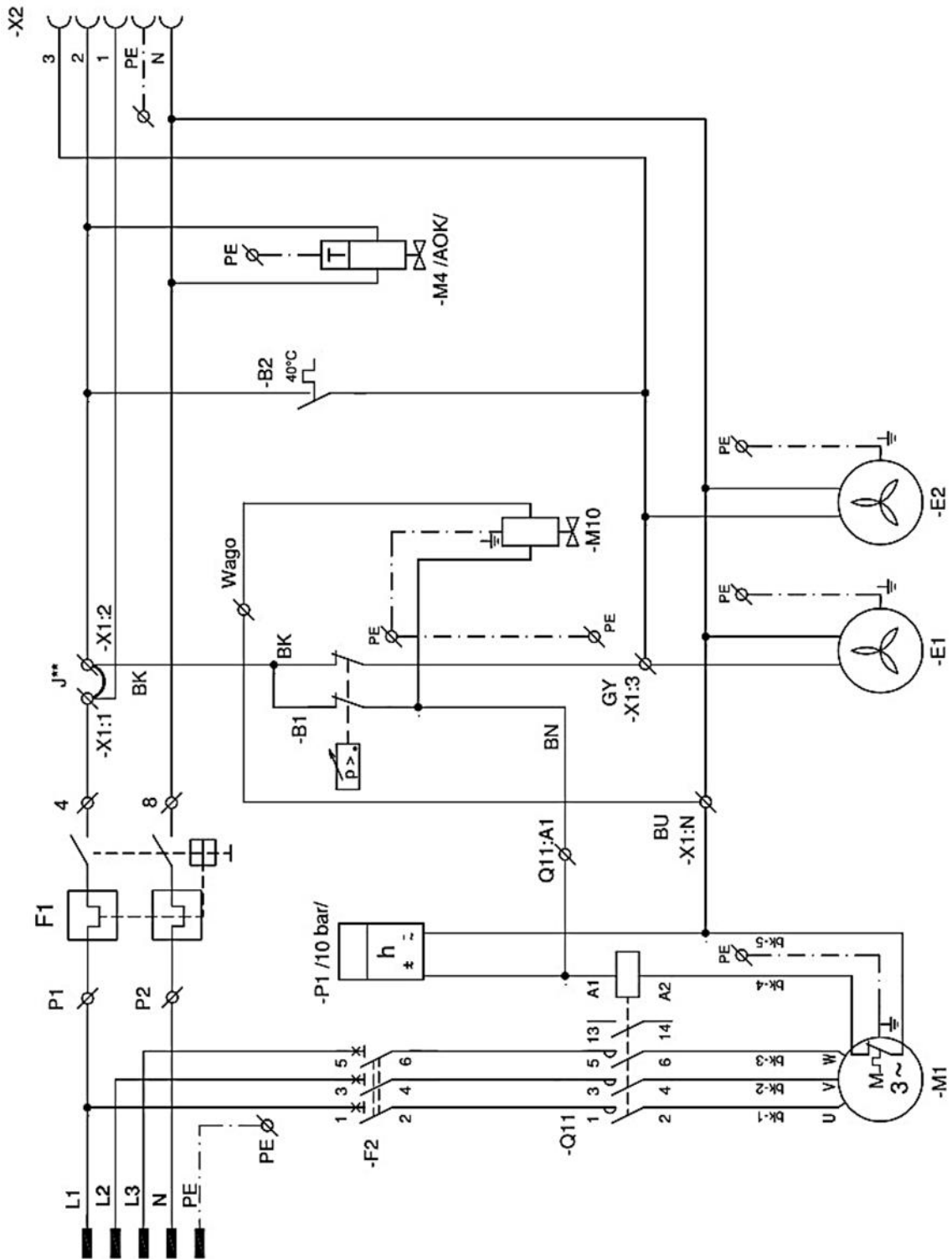
ELECTRICAL OBJECT OF 1st. CAT



DK50 2V/M, DK50 2V S/M

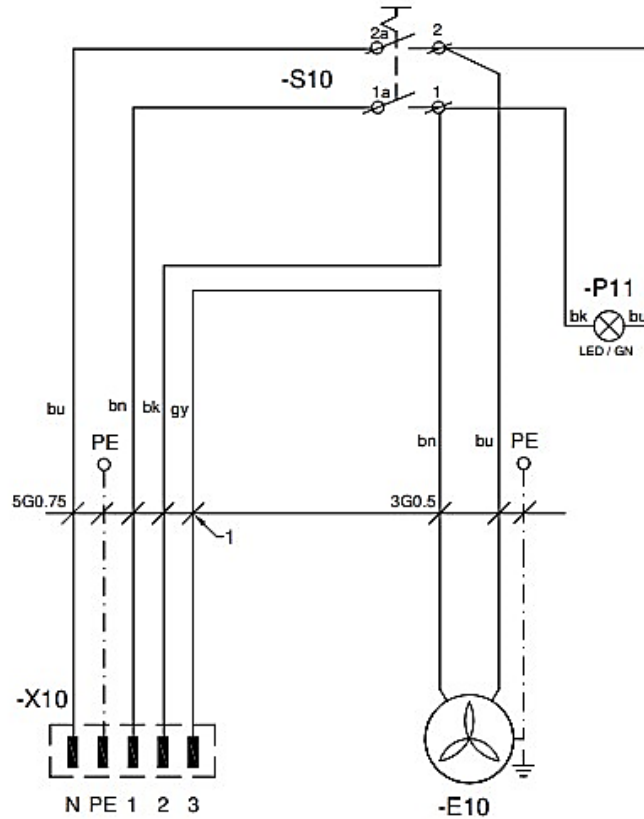
6 - 8 bar, 8 - 10 bar

3/N/PE 400 V, 50 Hz
 ELECTRICAL MAINS TN-S [TN-C-S]
 ELECTRICAL OBJECT OF 1st. CAT



Compressor cabinet

1/N/PE 230V, 50 Hz
 230 V, 50 Hz, 230 V, 60 Hz
 ELECTRICAL OBJECT OF 1st. CAT



Description to electrical diagrams

M1	Compressor motor	C1	Capacitor
E1	Compressor fan	B1	Pressure switch
E2	Dryer fan	X1	Terminal box
M10	Relief valve	F1	Circuit breaker switch
B2	Temperature switch	M4	Condensate drain valve
E10	Cabinet fan	P1	Hours counter
X10,X2	Connector	S10	Switch
F2	Breaker	P11	Indicator
Q11	Contactore	X2	Socket

Note:

- J** - Only connect the jumper for compressors without cabinet (see chapter 17.10)
- P1* - The 8-10 bar compressor model is equipment with an hour counter

OPERATION

THE EQUIPMENT MAY ONLY BE OPERATED BY THE TRAINED STAFF!



Risk of electric shock

In case of any danger, disconnect the compressor from the mains (pull out the mains plug).



Risk of burn or fire.

During compressor operation, the pump parts may heat to temperatures dangerous for contact with persons or materials.



Warning – compressor is controlled automatically.

Automatic start-up. When pressure in the pressure tank drops to switch-on pressure, the compressor automatically switches on. The compressor automatically switches off, when pressure in the air tank reaches the switch-off pressure.



Hazard of damage to pneumatic components.

Working pressures of the pressure switch set by the manufacturer must not be changed. If the compressor operates at higher working pressure than the switch-on pressure, it means that the air consumption is too high (see Chapter Malfunctions).



Hazard of damage to dryer.

When the dryer is operated at ambient temperature that is higher than maximum operating temperature stated in Technical data, the dryer can be damaged.



Required drying performance can only be achieved when the defined operating conditions are followed.

Drying performance decreases and the achieved dew point drops if the dryer is operated at any pressure below the minimum working pressure.



During longer operation of the compressor, the temperature in the surrounding of the compressor increases above 40 °C and the cooling fan switches on automatically. After cooling the space below 32 °C, the fan switches off.

15. SWITCHING ON THE COMPRESSOR

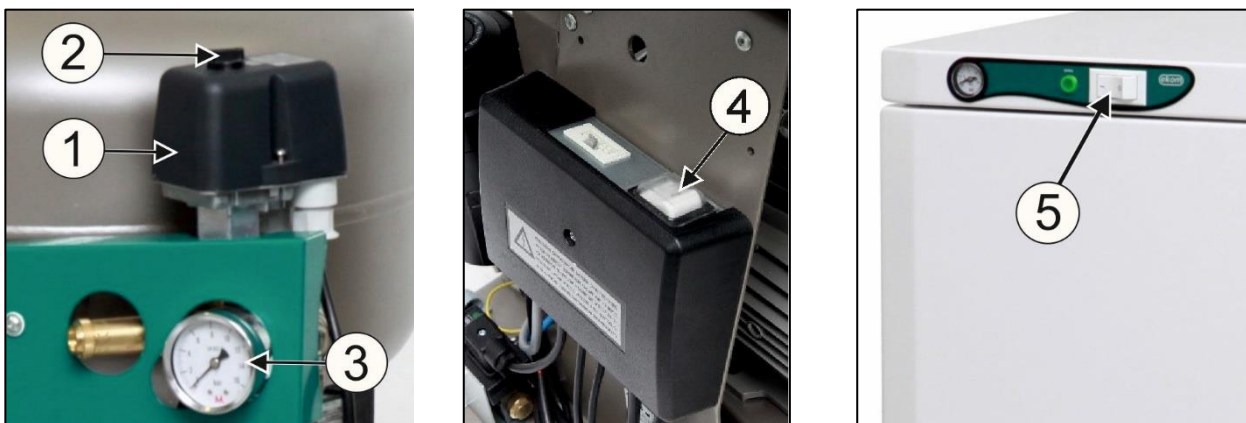
Start the compressor (without a cabinet) at the pressure switch (1) by turning the switch (2) to position "I." This starts the compressor and fills the tank to the switching off pressure, which then shuts off the compressor.

Start the compressor (with a cabinet) at the switch (5) on the front side of the cabinet, the indicator will turn green. This starts the compressor and fills the tank to the switching off pressure, which then shuts off the compressor.

The compressor operates in automatic mode, switched on and off by the pressure switch, depending on compressed air consumption.

Check the values of the switch-on and switch-off pressure using the pressure gauge (3). A tolerance of $\pm 10\%$ is acceptable. The pressure in the air tank must not exceed the permitted operating pressure.

Fig. 15: Switching on the compressor



- **Compressor (without dryer)** – when first started and put into operation, the compressor fills the air tank to the switch-off pressure and the pressure switch turns off the compressor. Then the compressor operates in automatic mode, switches on and off depending on compressed air consumption.
- **Compressor with dryer** – the compressor operates in the same manner as above, only the compressed air passes through the cooler that removes moisture from the compressed air.



Risk of damage to pneumatic parts.

The pressure switch (1) was set up by the manufacturer and any other changes to its settings may be performed only by a qualified technician trained by the manufacturer.

16. SWITCHING OFF THE COMPRESSOR

- Switching off the compressor due to service or any other reason shall be performed using the pressure switch (1) by turning the switch (2) to position „0“ and pulling out the mains plug from the socket. This disconnects the compressor from the mains supply.(Fig. 15)
- Vent the pressure in the air tank to zero by opening the drain valve (Fig. 16).

PRODUCT MAINTENANCE**17. PRODUCT MAINTENANCE**

The operator should carry out device checks regularly in the intervals defined by applicable regulations. Test results must be recorded.

The device has been designed and manufactured to keep its maintenance to a minimum. For correct and reliable operation of the compressor perform the following operations:



Risk of servicing by persons without required qualification.

Repair works beyond standard maintenance (see chapter.17.1) may only be performed by a qualified technician (organization authorized by the manufacturer) or manufacturer's customer service.

Standard maintenance works (see chapter 17.1) may only be carried out by a trained operator.

Only use spare parts and accessories approved by the manufacturer.



Risk of injury and damage to the device.

Before any maintenance work, it is necessary to:

- **check, if it is possible to disconnect compressor from the supplied equipment, so that there is no risk of damage to a person using the given appliance or any other material damages**
- **switch off the compressor**
- **disconnect it from the mains (pull out the mains plug)**
- **vent the compressed air from the air tank**



Risk of injury when venting the compressed air.

Protect eyesight – wear goggles when venting the compressed air from the compressor pneumatic system (air tank).



Risk of burn.

Pump components (head, cylinder, pressure hose) have high temperature during and shortly after compressor operation – do not touch these components!

Let the device cool before any product maintenance, service or connection/disconnection of pressurized air!



The removed grounding conductor during service must be connected back to the original position after completing the service.

- For any maintenance or repair work, the compressor may be removed from the cabinet by pulling it from the cabinet (on rolling casters as much as the cord between the compressor and the cabinet allows). See also chap. 17). The required maintenance or repair work may then be performed.
- If the cord between the compressor and the cabinet becomes disconnected (by pulling the mains plug, chap. 12.2), the compressor shall not be functional. In order to bring the compressor into function again, please follow chap. 12.2 or 17.10 or 17.11.

17.1. Maintenance intervals

Time interval ^{c)}	50 Hz	60 z	once a day	once a week	one a year	once every 2 years	2000 hours	4000 hours	6000 hours	8000 hours	10000 hours	12000 hours	Chap.	Spare parts set	Performed by			
															operator			
Check of product operation	x												17.2	-				
Drain condensate from air tank ^{b)} - at high humidity	x												17.5	-				
Drain condensate from the air tank ^{b)} - at normal humidity			x										17.5	-				
Check of product function				x									8	-				
Check of pneumatic connections leakage and device inspection					x								17.3	-				
Check of electrical connection					x								17.4	-				
Check of fan and cooler					x								17.9	-				
Replacement of filter element in dryer filter ^{d)}					x								17.8	025200304-000				
Check of safety valve					x								17.6	-				
Replacement of pump inlet filter and pre-filter DK50 PLUS ^{a)}					x				x				17.7	025200126-000				
Replacement of pump inlet filter and pre-filter DK50 2V ^{a)}					x				x				17.7	025200139-000 025200150-000				

^{a)} data is in hours, if not available, data is in years

^{b)} applies to compressor without dryer

^{c)} time interval reduces by 20 % for compressor variants 60 Hz

(2000h./1600h., 4000h./3200h., 6000h./4800h., 8000h./6400h., 10000h./8000h., 12000h./9600h.)

^{d)} only for compressors with dryers

17.2. Check of product operation

- Check pump condition – the pumps must operate evenly without excessive vibrations or noise. If there is any negative result, find the cause of the given condition or call service engineers.
- Check fans operation (visually) – the fans must be operating when the fans are running. If there is a negative result, look for the cause of the given condition or call service engineers.
- Check if the power cord and pneumatic hoses are not damaged. Replace the damaged parts or call service engineers.
- Check ambient temperature – ambient temperature must be below temperature limit (40°C). Improve cooling in the room if the temperature is higher.
- Compressor with air dryer - open the plug on the condensate collecting bottle and drain the condensate,

17.3. Check of pneumatic connections leakage and device inspection

Leakage check

- Check pneumatic connections of the compressor when the compressor is operating – pressurizing.
- Use a leakage analyser or soapy water to check all connections for leaks. Tighten or release the connection where leaks are found.

Device inspection

- Check condition of the compressor pump – even operation, appropriate noise level.
- Check fans operation – fans must be running in the defined cycles of the compressor operation.
- Check function of the temperature switch (B2) – heat the temperature switch to temperature above 40°C (e.g. using a heat gun – Be careful, do not operate with high temperature on plastic components in the surrounding, it can cause deformation of plastic materials). Fan E1, E3 starts up once the temperature reaches 40°C – the compressor must be under voltage.
- Check filters condition – filters must be undamaged and sufficiently clean.
- Check condition of the pump itself, check if there is no dirt inside the crankcase or clearance in the crankshaft.
- Replace any defective parts if there are any failures.

17.4. Check of electrical connections



Risk of electric shock.

Check electrical connections on the device disconnected from the mains.

- Check mechanical function of the main switch.
- Check if the power cable and conductors are not damaged.
- Visually check if cables are connected to the terminal box.
- Check all screw connections of the green-yellow PE grounding conductor.

17.5. Condensate drain



Risk of slipping on a wet floor in case of the collecting vessel overflow.



Switch off the compressor every time before emptying the vessel!



Open the drain valve carefully and slowly. If the drain valve is opened too much, it is accompanied by high noise level and uncontrolled jet of the accumulated condensate.

Compressors without a dryer

During regular operation, it is recommended to drain condensate from the pressure tank.

- Switch off the compressor from the mains and decrease air pressure in the device to max. 1 bar, e.g. by releasing air through the connected device.
- Release the drain valve from the clips on the compressor base. Place the open end of the hose into a suitable container and open the drain valve (1) to drain off the condensate from the container. In cabinet mounted compressor models, the condensate may be drained outside of the cabinet.

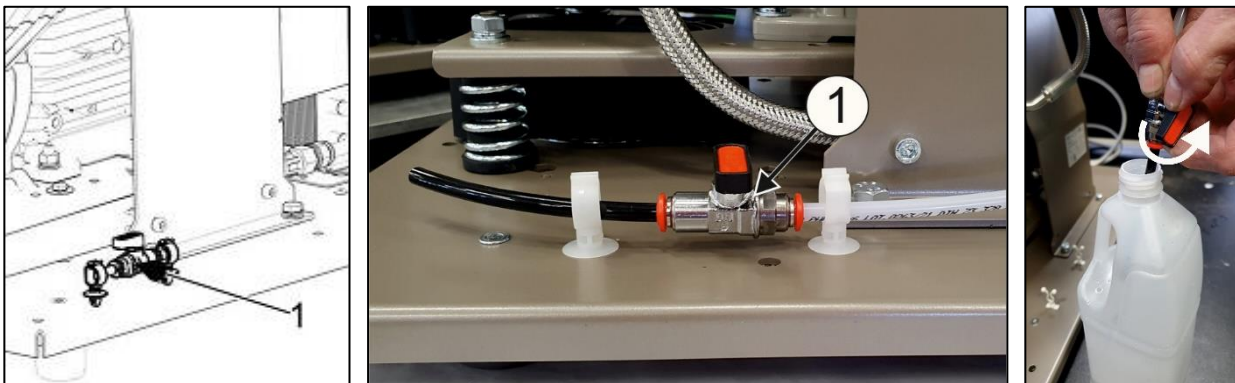


Fig. 16: Condensate drain from the pressure tank

- Compressors can be equipped with Automatic condensate drain (AOK), which provides draining of condensate from the air tank without the need of operator action (see chapter 7, Automatic condensate drain).

Compressors with air dryer

Condensate from compressors with air dryers is automatically drained into the condensate collection vessel.

- Monitor the level in the vessel using the 1 l or 2 l markings (depending on the volume of the vessel), and empty at least once a day.



Fig. 17: Check of condensate collection vessel

If necessary, it is possible to drain the air tank using the drain valve (1) from the lower side of the air tank (Fig. 18).

Switch off the compressor at the mains and reduce the air pressure in the device to a maximum of 1 bar, e.g. by venting air through the connected equipment.

Use a hose to drain with the free end placed in a suitable container and then open the valve to drain condensate from the tank.

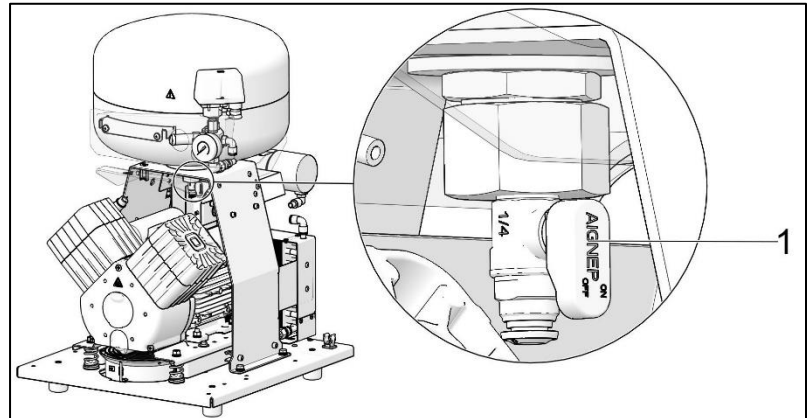


Fig. 18: Condensate drain



Before the following checks it is required:

- Compressor variants with cabinet DK50 PLUS S, DK50 PLUS S/M, DK50 2V/S, DK50 2V S/M – unlock the door lock and open the cabinet door.

17.6. Check of safety valve

- Turn the screw (2) on the safety valve (1) several times to the left until the safety valve releases the air.
- Let the safety valve vent for a few seconds.
- Turn the screw (2) fully to the right, the valve must be closed now.

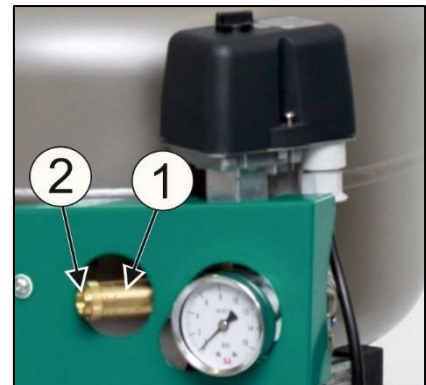


Fig. 19: Check of safety valve



Risk of pressure increase when safety valve is damaged.

Safety valve must not be used to depressurize the air tank. It could damage the safety valve function. The valve is set to the maximum allowed pressure, it is tested and marked.

Safety valve setting must not be adjusted.



Risk of injury when compressed air is vented.

Protect your eyesight when checking the safety valve – wear protective goggles.

17.7. Inlet filter and pre-filter replacement

The inlet filter (1) is located inside the compressor crankcase cover.

Inlet filter replacement:

- Pull out the rubber plug by hand (2).
- Remove the used filter (1).
- Insert a new filter and replace the rubber plug.

Pre-filter replacement:

- Pull out the pre-filter by hand (3).
- Replace the element and re-insert.

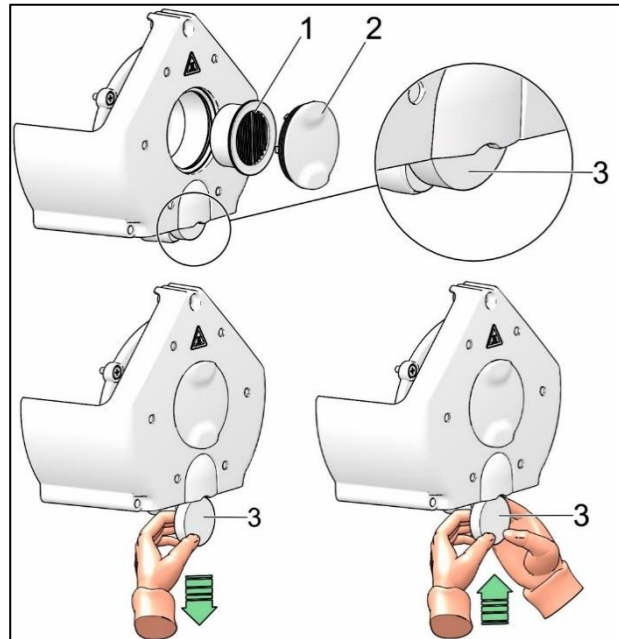
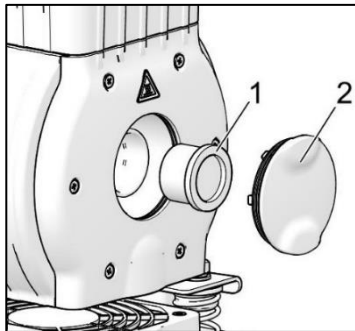
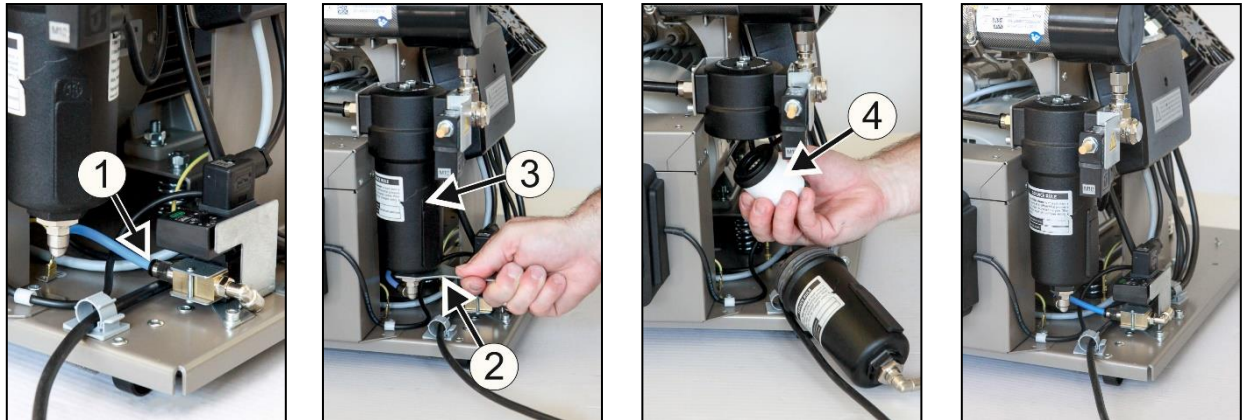


Fig. 20: Inlet filter and pre-filter replacement

17.8. Replacement of filter element

- Remove the tube (1) from the quick coupling.
- Loosen the filter bowl (3) using a wrench and dismantle.
- Dismantle the filter element (4) by pulling it downwards.
- Insert a new filter element.
- Mount the filter bowl.
- Slightly tighten the filter bowl using a wrench.
- Mount the tube back on the quick coupling.

Fig. 21: Replacement of filter element



17.9. Check of fan and cooler

The entire device and especially the compressor fan, cooler fan (21) and cooler (14) must be kept clean (Fig. 1, Fig. 2) – vacuum or blown down the cooling fins and fans with compressed air to remove any dust from the surface.

17.10. Procedure for connecting a compressor disconnected from the cabinet



Prior to any maintenance or repair work, switch off the compressor and disconnect it from the mains (pull out the mains plug).

The compressor (without cabinet) requires that the jumper is always mounted in the terminal strip for correct operation (Fig. 21, Fig. 22, Pos. B). It then replaces the switch on the cabinet.



If there is no jumper in the terminal strip, the compressor will not work!

If the cord between the compressor and the cabinet becomes disconnected (by pulling the mains plug) and the compressor is removed from the cabinet, the compressor will not be functional. Therefore, it is necessary to first create a connection to the terminal strip with a jumper (replacing the circuit breaker function) (Fig. 21, Fig. 22).

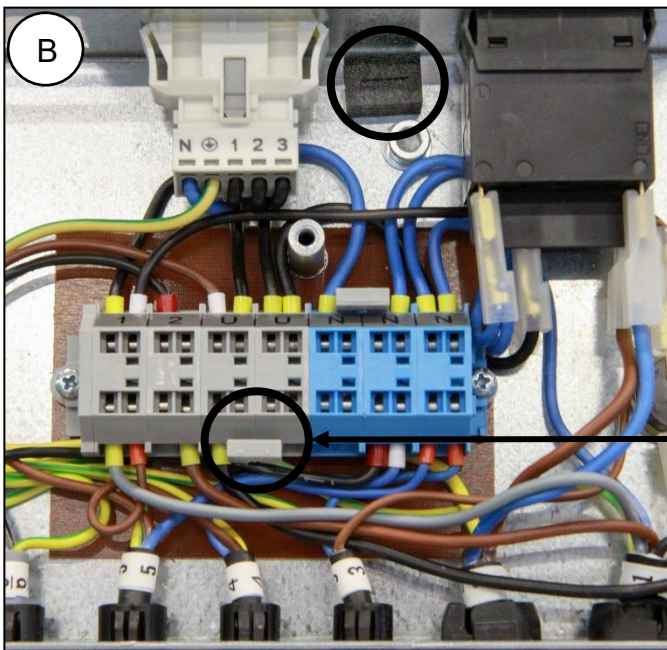
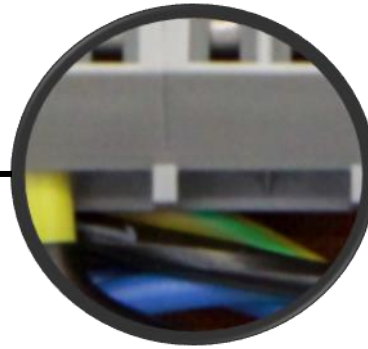
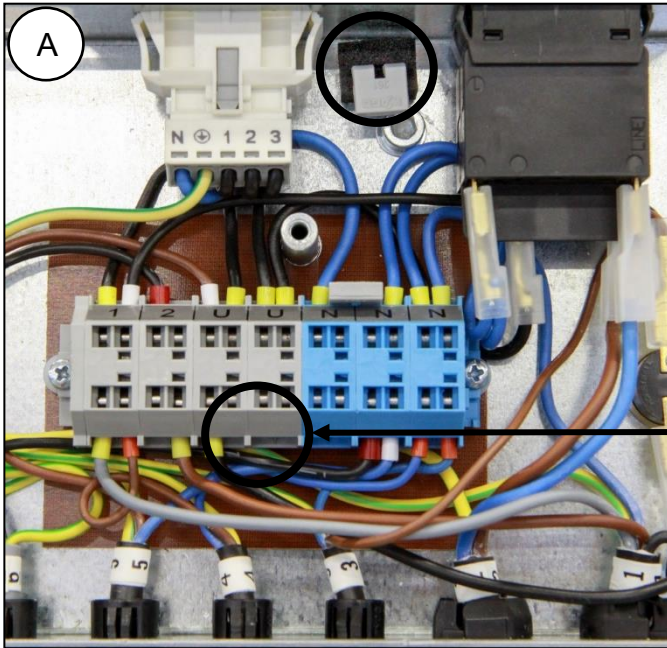
PROCESS:

Jumper installation (A-B process):

- Disconnect the product from the mains by pulling the plug out of the socket.
- Remove the cover on the electrical panel (on the compressor).
- The jumper is not in the terminal strip – A.
- Insert the jumper into the terminal strip – B.
- Reinstall the cover on the electrical panel.
- Connect the device to the electrical mains.
- Activate the compressor by turning on the switch on the pressure switch.

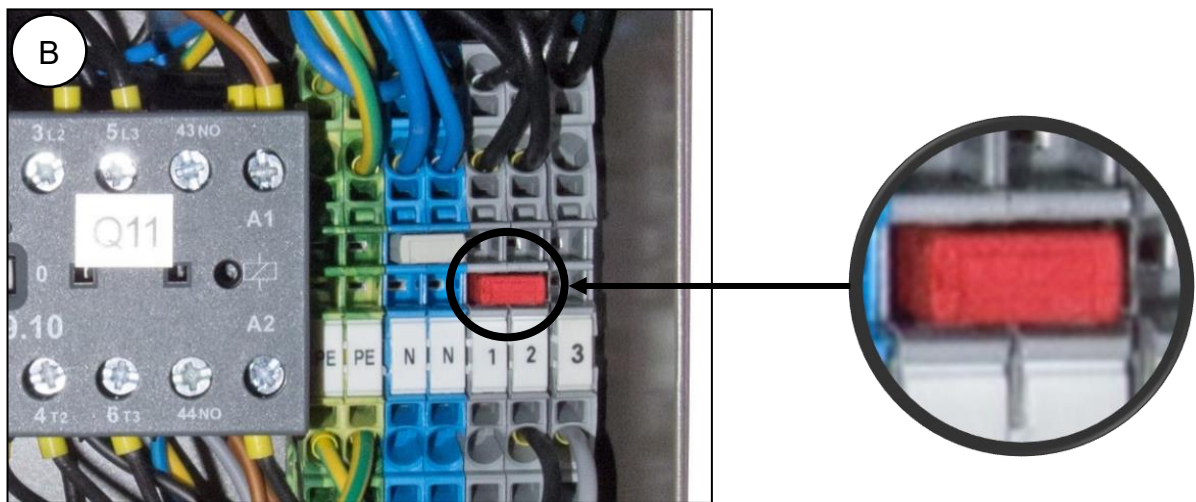
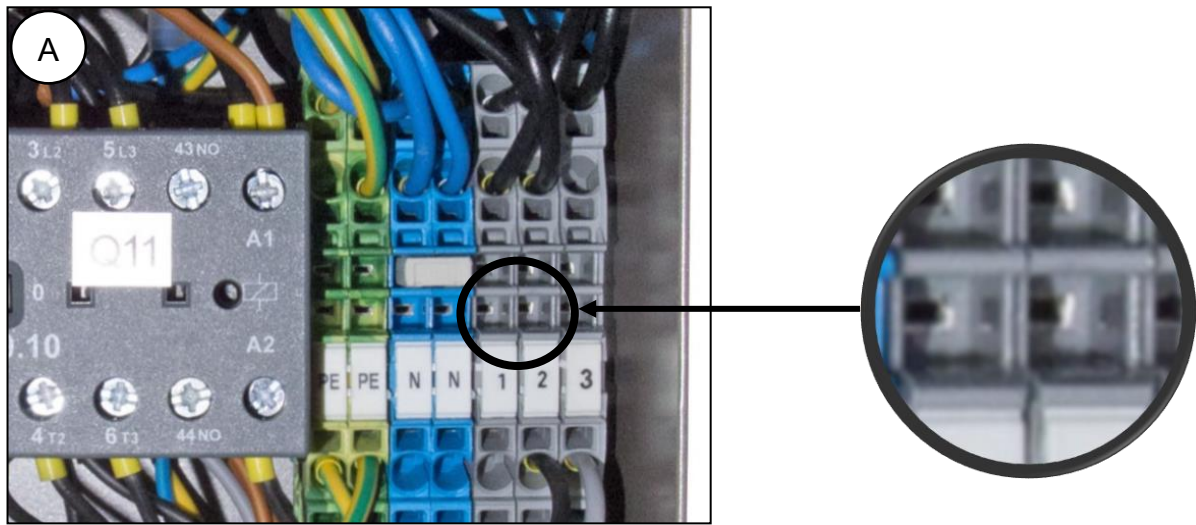
Compressor - when operating outside the cabinet, the electrical connection with an installed jumper **must** be created (Fig. 21, Fig. 22, Pos. B).

Fig. 22



230V

Fig. 23



400V

17.11. Procedure for connecting a compressor to a new cabinet



Prior to any maintenance or repair work, switch off the compressor and disconnect it from the mains (pull out the mains plug).

The compressor in a cabinet requires that the jumper is not mounted in the terminal strip for correct operation (Fig. 21, Fig.22, Pos. A). The switch on the cabinet switches the entire product on and off, including the compressor.



If there is a jumper in the terminal strip, the switch on the compressor cabinet will not work!

To connect a new cabinet to a compressor that previously worked without a cabinet, it is necessary to cancel the connection in the compressor terminal strip by performing the procedure as follows. (Fig. 21, Fig. 22). See also chap. 12.1 and 12.2.

PROCESS:**Jumper removal (B-A process):**

- Disconnect the product from the mains by pulling the plug out of the socket.
- Remove the cover on the electrical panel (on the compressor).
- The jumper is in the terminal strip – B
- Remove the jumper from the terminal strip – A
- Reinstall the cover on the electrical panel.
- Insert the compressor into the cabinet.
- Connect the cabinet to the compressor by inserting the power cord with connector (1) into a power socket (2). (Fig. 14)
- Connect the device to the electrical mains
- Activate the compressor by turning on the switch on the pressure switch and the switch (5) on the cabinet. (Fig. 15)

Compressor with cabinet - when operating in the cabinet, there **must not** be an electrical connection. (Fig. 21, Fig. 22, Pos. A)

Note : **In case of using a compressor without a cabinet or in case of maintenance, a jumper which is not installed into the terminal strip should be kept** in a designated place next to the electrical panel.

17.12. Cleaning of the exterior surfaces of the product

Use neutral agents for cleaning of the external surfaces of the product.



The use of aggressive cleaning agents and comprising alcohol and chlorides may lead to the damage of the surface and the discoloration of the product.

18. LONG-TERM SHUTDOWN

If the compressor is not going to be used for long period, it is recommended to drain all condensate from the air tank and switch on the compressor for about 10 minutes, keeping the drain valve open (1) (Fig. 16). Thereafter switch off the compressor using the switch (2) on the pressure switch (1) (Fig. 15), close the drain valve and disconnect the device from the mains.

19. DISPOSAL OF DEVICE

- Disconnect the device from the mains.
- Release air pressure in the pressure tank by opening the drain valve (1) (Fig. 16).
- Dispose of the device according to the applicable local rules.
- Order a specialized organization to sort and dispose of waste.
- Product components after its operational lifetime have no negative environmental effect.

TROUBLESHOOTING**Risk of electric shock.****Before any of the following operations on the device, disconnect the device from the mains (pull out the mains plug).****Risk of injury during work with pneumatic components under pressure.****Before any of the following operations on the device, it is necessary to decrease pressure in the air tank and in the pneumatic system to zero.****Any operations concerning the troubleshooting may be performed only by a qualified technician.**

Malfunction	Possible cause	Solution
Compressor does not switch on	No voltage in the pressure switch	Check voltage in socket
		Check circuit breaker switch – switch to position switched-on „I“
		Loose conductor from terminal - repair
		Check electrical cord – replace defective cord
	Motor winding failure, damaged thermal protection	Replace motor or windings
	Capacitor failure	Replace capacitor
Cabinet switch does not switch off the compressor	Seized piston or other rotating part	Replace damaged components
	Pressure switch does not switch	Check function of pressure switch
	There is a compressor in the cabinet that previously worked separately (there is a jumper in the compressor terminal strip)	Remove the jumper from the terminal strip, see. Chap. 17.11.
	Air leakage in pneumatic system	Check pneumatic system – seal loose connections
	Non-return valve (SV) leakage	Clean non-return valve, replace seals, replace non-return valve
Compressor often switches on	Large volume of condensed liquid in pressure tank	Drain condensed liquid
	Low compressor capacity	Check time of filling the air tank
	High air consumption of supplied equipment	Decrease air consumption Use compressor with higher capacity
	Leakage in pneumatic system	Check pneumatic system – seal loose connections
Low pressure in the air tank (compressor running constantly)	Low capacity of the pump	Clean / replace the pump
	Pump failure	Clean / replace the pump
	Dryer failure	Replace dryer
	Air leakage in pneumatic system	Check pneumatic system – seal loose connection
Prolonged operation of the		

compressor	Worn piston ring	Replace worn piston ring
	Dirty inlet filter	Replace dirty filter with new filter
	Incorrect function of solenoid valve	Repair or replace fan or coil
Compressor is noisy (knocking, metal noises)	Damaged piston bearing, piston rods, motor bearing	Replace damaged bearing
	Loose (cracked) dampening element (spring)	Replace damaged spring
Dryer does not dry (condensed water in the air) *	Defective cooler fan	Replace fan Check power source
	Damaged dryer	Replace dryer
	Defective automatic condensate drain	Clean / replace

)* Clean inside surfaces of the air tank thoroughly and remove all condensed liquid after dryer failure.



To protect the connected equipment from any damage, it is necessary to check humidity of the released air from the air tank (see chapter Technical data).

20. REPAIR SERVICE

Guarantee and post-guarantee repairs are provided by the manufacturer or organizations and technicians approved by the manufacturer.

Warning

The manufacturer reserves the right to make changes on the device, which will not significantly affect properties of the device.

INHALT

ALLGEMEINE INFORMTIONEN	52
1. KONFORMITÄT MIT DEN ANFORDERUNGEN DER EU	52
2. SYMBOLE	52
3. NUTZUNG DES GERÄTS	53
4. ALLGEMEINE SICHERHEITSANWEISUNGEN	54
5. LAGERUNGS- UND TRSANSPORTBEDINGUNGEN	55
PRODUKTBESCHREIBUNG	56
6. MODELLE	56
7. ZUBEHÖR	56
8. PRODUKTFUNKTION	58
TECHNISCHE DATEN	62
INSTALLATION	68
9. INSTALLATIONSBEDINGUGEN	68
10. ZUSAMMENBAU DES KOMPRESSOR	68
11. PNEUMATISCHER ANSCHLÜSSE	72
12. ELEKTRISCHER ANSCHLUSS	74
13. INBETRIEBNAHME	75
14. DRUCKLUFT- UND ELEKTROSCHALTPLÄNE	76
BETRIEB	84
15. EINSCHALTEN DES KOMPRESSORS	85
16. AUSSCHALTEN DES KOMPRESSORS	85
PRODUKTWARTUNG	86
17. PRODUKTWARTUNG	86
18. LANGFRISTIGE AUßERBETRIEBNAHME	96
19. ENTSORGUNG DES GERÄTS	96
FEHLERBEHEBUNG	97
20. INFORMATIONEN ZU REPARATURBETRIEBEN	98

ALLGEMEINE INFORMTIONEN

Lesen Sie das Benutzerhandbuch vor der Nutzung des Produkts sorgfältig durch und bewahren Sie es auf. Das Benutzerhandbuch enthält Anleitungen zur korrekten Nutzung, Installation, Bedienung und Wartung des Produkts.

Zum Zeitpunkt des Drucks entspricht das Benutzerhandbuch dem Produktdesign und erfüllt die geltenden Sicherheits- und Technikstandards. Der Hersteller behält alle Rechte zum Schutz der angeführten Verbindungen, Verfahren und Namen.

Die Originalsprache des Benutzerhandbuchs ist Slowakisch. Das Benutzerhandbuch wurde nach bestem Wissen übersetzt. Bei Unsicherheiten gilt die slowakische Version.

Dieses Benutzerhandbuch ist die deutsche Übersetzung der Originalanleitung. Die Übersetzung erfolgte nach bestem Wissen.

1. KONFORMITÄT MIT DEN ANFORDERUNGEN DER EU

Das Produkt erfüllt die Anforderungen der Europäischen Union 2006/42/EG, 2014/29/EU, 2014/35/EU, 2014/30/EU, 2011/65/EU und ist sicher, wenn es gemäß dem Verwendungszweck genutzt wird und alle Sicherheitsanweisungen befolgt werden.

Das Benutzerhandbuch entspricht den Anforderungen der Direktive 2006/42/EG.

2. SYMBOLE

Die folgenden Symbole und Markierungen werden in dem Benutzerhandbuch, auf dem Gerät und auf seiner Verpackung verwendet:



Allgemeiner Warnhinweis



Achtung – Stromschlaggefahr!



Achtung – Kompressor wird automatisch gesteuert



Achtung – heiße Oberfläche



Allgemeine Warnungen



Befolgen Sie das Benutzerhandbuch



Siehe Benutzerhandbuch



CE-Kennzeichnung











Seriennummer



Artikelnummer



Schutzerdung

	Klemme für Erdungsanschluss
	Etikett für die Handhabung der Verpackung – zerbrechlich
	Etikett für die Handhabung der Verpackung – diese Seite nach oben
	Etikett für die Handhabung der Verpackung – trocken halten
	Etikett für die Handhabung der Verpackung – Temperaturlimits
	Etikett für die Handhabung der Verpackung – Stapelbeschränkung
	Verpackungsetikett – recyclebares Material
	Hersteller

3. NUTZUNG DES GERÄTS

3.1. Bestimmungsgemäße Nutzung

Der Kompressor wird als Quelle für saubere, ölfreie Druckluft für die Industrie und Labore dort verwendet, wo die Parameter und Eigenschaften der Druckluft für die Nutzung geeignet sind.

Der Kompressor dient ausschließlich dazu, Luft ohne Anteile an explosiven oder chemisch instabilen Substanzen zu komprimieren.

Der Kompressor ist für den Betrieb in sauberen und trockenen Räumen konzipiert.

3.2. Unsachgemäße Nutzung



Kontaminationsrisiko.

Die Luft aus dem Kompressor ist ohne zusätzliche Behandlung nicht für das Einatmen und den direkten Kontakt mit Lebensmitteln geeignet.



Explosionsrisiko.

Das Produkt ist nicht für den Betrieb in Räumen mit Explosionsrisiko geeignet.

Der Kompressor darf nicht für das Komprimieren von aggressiven Gasen verwendet werden.

Der Kompressor darf nicht in Umgebungen verwendet werden, in denen es entflammbare Dämpfe gibt.

Der Kompressor darf nur unter den Bedingungen verwendet werden, die im Abschnitt Technische Daten aufgeführt sind.

Jegliche andere Nutzung des Produkts über die bestimmungsgemäße Verwendung hinaus gilt als unsachgemäße Nutzung. Der Hersteller haftet nicht für Schäden oder Verletzungen aufgrund einer unsachgemäßen Nutzung oder Nichtbeachtung der Anweisungen in diesem Benutzerhandbuch. Einzig der Benutzer/Bediener trägt alle Risiken.

4. ALLGEMEINE SICHERHEITSANWEISUNGEN

Das Produkt wurde entwickelt und hergestellt, um alle Risiken in Verbindung mit seiner Nutzung zu minimieren. Das Produkt ist für den Benutzer und für die Umgebung sicher, wenn es gemäß seinem Verwendungszweck und den nachfolgend aufgeführten Anweisungen verwendet wird.

4.1. Erforderliche Qualifikation der Mitarbeiter

- Alle Benutzer müssen durch den Hersteller oder durch einen von dem Hersteller autorisierten Dienstleister geschult oder durch einen weiteren geschulten Bediener in der Nutzung des Geräts unterwiesen werden.
- Montage, Neueinstellungen, Änderungen, Erweiterungen und Reparaturen des Produkts müssen durch den Hersteller oder von einem durch den Hersteller autorisierten Dienstleister (hierunter qualifizierter Techniker) erfolgen.
- Andernfalls übernimmt der Hersteller keine Verantwortung für die Sicherheit, Zuverlässigkeit und korrekte Funktion des Produkts.

4.2. Allgemeine Anweisungen

- Bei der Nutzung des Kompressors müssen alle relevanten Gesetze und lokalen Vorschriften am Einsatzort beachtet werden. Der Bediener und der Benutzer sind für die Einhaltung der geltenden Vorschriften zuständig.
- Vor jeder Nutzung muss der Benutzer prüfen, ob das Gerät korrekt und sicher funktioniert. Vor dem Einbau des Kompressors in andere Geräte muss der Lieferant prüfen, ob die zugeführte Luft und die Bauart des Geräts den Anforderungen des festgelegten Verwendungszwecks entsprechen. Beachten Sie hierzu die Technischen Daten für das Produkt. Der Hersteller – der Lieferanten des Endprodukts hat die Konformitätsprüfung vorzunehmen.

4.3. Schutz vor gefährlicher Spannung und Druck

- Das Gerät darf nur an eine korrekt montierte Steckdose mit Schutzerdung angeschlossen werden.
- Überprüfen Sie vor dem Anschluss des Produkts, ob die auf dem Produkt angegebene Netzspannung und Netzfrequenz mit den Werten des Versorgungsnetzes übereinstimmen.
- Überprüfen Sie vor der Inbetriebnahme des Produkts die angeschlossenen Druckluftschläuche und Stromkabel auf Beschädigungen. Beschädigte Druckluftschläuche und Stromkabel sind unverzüglich zu ersetzen.
- Trennen Sie das Produkt in gefährlichen Situationen oder bei technischen Störungen sofort vom Stromnetz (den Netzstecker ziehen).
- Die Einstellungen der Sicherheitsventile dürfen nicht geändert und nicht für die Druckluftentlastung des Druckluftbehälters verwendet werden.

4.4. Original Ersatzteile und –Zubehörteile

- Die Sicherheit des Bedienpersonals und der störungsfreie Betrieb des Produkts sind nur bei Verwendung von Original-Ersatzteilen garantiert. Es dürfen nur Zubehör- und Ersatzteile verwendet werden, die in der technischen Dokumentation angegeben oder ausdrücklich vom Hersteller zugelassen sind.
- Die Garantie gilt nicht für Schäden aufgrund der Verwendung von Zubehörteilen und Ersatzteilen, die nicht durch den Hersteller vorgeschrieben oder empfohlen wurden. Der Hersteller übernimmt hierfür keine Haftung.

5. LAGERUNGS- UND TRSANSPORTBEDINGUNGEN

Der Hersteller versendet den Kompressor in einer Transportverpackung. Diese schützt das Gerät während des Transports vor Schäden.



Beschädigungsgefahr für Pneumatikteile.

Der Kompressor darf nur drucklos transportiert werden. Lassen Sie die Druckluft aus dem Druckluftbehälter und den Druckluftschläuchen ab und entleeren Sie das Kondensat aus dem Druckluftbehälter, bevor Sie den Kompressor transportieren.



Die Originalverpackung muss für die eventuelle Rücksendung des Geräts aufbewahrt werden. Falls möglich, verwenden Sie stets die Originalverpackung des Kompressors, um das Produkt bestmöglich zu schützen. Muss das Produkt während der Garantiezeit eingesendet werden, haftet der Hersteller nicht für Schäden, die auf eine falsche Verpackung zurückzuführen sind.



Transportieren Sie den Kompressor in aufrechter Position und grundsätzlich mit Transportsicherung.



Während des Transports und der Lagerung ist der Kompressor vor hoher Feuchtigkeit, vor Verunreinigungen und extremen Temperaturen zu schützen. Nicht in der Nähe von flüchtigen chemischen Substanzen lagern.



Ist eine Lagerung der Originalverpackung nicht möglich, entsorgen Sie diese umweltgerecht. Der Transportkarton kann als Altpapier recycelt werden.



Es ist nicht zulässig, das Gerät außerhalb der angegebenen Bedingungen zu lagern und zu transportieren; siehe unten.

5.1. Umgebungsbedingungen

Produkte können in Räumen und Transportmitteln gelagert werden, in denen keine Spuren flüchtiger chemischer Substanzen vorhanden sind und die die folgenden klimatischen Bedingungen erfüllen:

Temperatur	von -25 °C bis +55 °C, in 24 Std. bis zu +70 °C
Relative Feuchtigkeit	Max. 90 % (ohne Kondensat, nicht kondensierend)

PRODUKTBESCHREIBUNG**6. MODELLE**

Der Kompressor wurde gemäß seinem Verwendungszweck in den folgenden Modellen erbaut:

DK50 PLUS	Kompressor auf Sockel für unabhängige Installation in Räumen
DK50 PLUS/M	Kompressor auf Sockel mit Lufttrockner
DK50 PLUS S	Kompressor in einem Gehäuse mit effektiver Geräuschkämpfung für den Einbau in Räumen
DK50 PLUS S/M	Kompressor in Gehäuse mit Lufttrockner
DK50 2V	Kompressor auf Sockel für unabhängige Installation in Räumen
DK50 2V/M	Kompressor auf Sockel mit Lufttrockner
DK50 2V S	Kompressor in einem Gehäuse mit effektiver Geräuschkämpfung für den Einbau in Räumen
DK50 2V S/M	Kompressor in Gehäuse mit Lufttrockner

**DK50 PLUS****DK50 2V****DK50 PLUS S****DK50 2V S****7. ZUBEHÖR**

Zubehör ist nicht in der standardmäßigen Bestellung enthalten und muss separat bestellt werden.

Automatischer Kondensatablauf

Der automatische Kondensatablauf (Automatic Condensate Drain; AOK) lässt das Kondensat automatisch und gemäß einem vorgegebenen Zeitintervall aus dem Kompressor-Luftbehälter ab. Der Kondensatablauf (AOK) ist ein geeignetes Zubehörteil für Kompressormodelle ohne Trockner.

Typ	Verwendung	Artikelnummer
AOK11	DK50 PLUS, DK50 2V	447000001-047

Satz mit Druckluft-Ausgangsfiltren

Der Kompressor kann, sofern angegeben, mit einem Filtersatz ausgestattet werden. Der Filtersatz kann mit einem Druckluftregler ausgestattet werden.



Ist ein anderer Grad an Luftfilterung nötig, muss dies mit dem Lieferanten vereinbart und in der Bestellung klar angegeben werden.

Typ	Verwendung	Grad der Luftfilterung (µm)	Artikelnummer
FS 30F	DK50 PLUS	1	604014119-014
FS 30M	Dk50 PLUS/M	1+0,1	604014119-015
FS 30S	DK50 2V	1+0,01	604014119-017
FS 30A	DK50 2V/M	1+0,01+A**	604014119-018

**) A – Submikrofilter mit Aktivkohle

Filtersatz Reglerbaugruppe

Der Kompressor kann gegebenenfalls mit einem Druckregler des Druckluftauslasses ausgestattet sein. Der Regler muss entsprechend der Anwendung auf den Filtersatz oder separat ausgewählt werden. Der Regler muss einen konstanten Druck am Auslass gewährleisten.

Typ	Verwendung	Artikelnummer
Druckregler (für Filtersatz)	DK50 PLUS, DK50 PLUS/M	604014130-000
REG11 (Separator)	DK50 2V, DK50 2V/M	447000001-077

Filtersatz Halterungen



Für jeden Filtersatz muss eine passende Halterung bestellt werden.

Typ	Verwendung	Artikelnummer
Halterung für Kompressor Montage	DK50 PLUS, DK50 PLUS/M DK50 2V, DK50 2V/M	603014134-000

Kondensat- und Filtereinheit

Der Kompressor kann zusätzlich mit einer Kondensat- und Filtereinheit (KJF-1, KJF-2 oder KJFR- 1) ausgestattet werden. Das Gerät wird für das Kühlen der Druckluft aus dem Druckluftbehälter im Kühler verwendet, um Kondensat im Filter zu erfassen, Kondensat automatisch aus dem Druckluftsystem zu entlassen und um die Druckluft zu filtern.

Typ	Verwendung	Grad der Luftfilterung / µm /	Druckregler	Artikelnummer
KJF-1	DK50 PLUS	5	Nein	450001011-001
KJFR-1			Ja	450001011-002
KJF-2	DK50 2V		Nein	450001021-001

Potenzialausgleichsbuchse

Die Buchse erlaubt eine Schutzverbindung.

Typ	Verwendung	Name	Artikelnummer
POAG-KBT6-EC	Dk50 PLUS S, DK50 PLUS S/M, DK50 2V S,DK50 2V S/M	Netzstecker	033400075-000
FLEXI-S/POAG-HK6		Zuleitung (1 m)	034110083-000

8. PRODUKTFUNKTION

8.1. Kompressor

Abb. 1 Das Kompressoraggregat (1) saugt die Außenluft durch den Ansaugfilter (8) an und komprimiert sie durch das Absperrventil (3) in den Druckluftbehälter (2), von dem aus das Gerät die Druckluft bezieht. Fällt der Druck im Druckluftbehälter auf den Einschaltdruck ab, schaltet der Druckschalter (4) den Kompressor ein und der Kompressor verdichtet die Luft in dem Druckluftbehälter, bis der Ausschaltdruck erreicht wird und der Kompressor abschaltet. Der Druckluftschlauch wird durch das Magnetablassventil (13) entlüftet, nachdem das Kompressoraggregat abgeschaltet wurde. Das Sicherheitsventil (5) verhindert, dass der Druck im Druckluftbehälter den maximal zulässigen Wert übersteigt. Das Ablassventil (7) führt das Kondensat aus dem Druckluftbehälter ab. Die komprimierte, ölfreie und gefilterte Luft wird im Druckluftbehälter für die weitere Verwendung gespeichert.

Das Kondensat muss in regelmäßigen Intervallen aus dem Druckluftbehälter abgelassen werden (siehe Kapitel 17.1).

8.2. Kompressor mit Membrantrockner

Abb. 2 Das Kompressoraggregat (1) zieht Außenluft durch einen Ansaugfilter (8) ein und komprimiert sie. Dann wird die Luft zum Kühler (14) durch den Filter (15) und das Rückschlagventil (3) zum Trockner (9) gespeist, anschließend wird die trockene und saubere Luft in den Luftbehälter (2) eingespeist.

Ein Teil der Luft wird mit der aufgenommenen Feuchtigkeit aus dem Trockner entlassen und macht sich als leichter Luftstrom entlang des Trocknergehäuses (9) bemerkbar. Das Kondensat aus dem Filter wird automatisch in regelmäßigen Intervallen über das Kondensatablassmagnetventil (16) in den Behälter abgeleitet. Der Trockner sorgt dafür, dass die Druckluft ständig getrocknet wird. Das Kondenswasser wird durch das Ablassventil (7) aus dem Luftbehälter abgelassen, wenn die Trocknerleistung überprüft wird. Ölfreie gefilterte Druckluft steht im Druckluftbehälter zur weiteren Nutzung bereit.

Damit der Membrantrockner wie vorgesehen funktioniert, wird der Trockner direkt an den Luftbehälter ohne zwischengeschaltetes Rückschlagventil angeschlossen. Da der Membrantrockner selektive Membranfasern enthält, erfolgt hierüber eine geringfügige Luftentweichung (rund 0,5 bar/30 min.).

Das ist der Grund für einen nach und nach erfolgenden, langsamen Druckabfall, auch wenn kein Druckluftbedarf (aus dem Luftbehälter) besteht. Dabei handelt es sich jedoch nicht um eine Fehlfunktion.

Der Druckluftbehälter ist trocken und muss nicht abgelassen werden.

8.3. Kompressorgehäuse

Abb. 3 Das schalldichte Gehäuse dient zur kompakten Abdeckung des Kompressors. Gleichzeitig gewährt es einen ausreichenden Luftaustausch und dämpft Geräusche wirkungsvoll. Der Lüfter unter dem Kompressoraggregat kühlt den Kompressor. Er läuft gleichzeitig mit dem Kompressormotor oder nach dem Einschalten des Temperaturschalters bei einer Temperatur von über 40 °C. Nachdem der Gehäusebereich auf weniger als ca. 32 °C abgekühlt ist, schaltet der Lüfter automatisch ab.

Die Öffnungsrichtung der Gehäusetür kann angepasst werden. (siehe Kapitel 10.2)



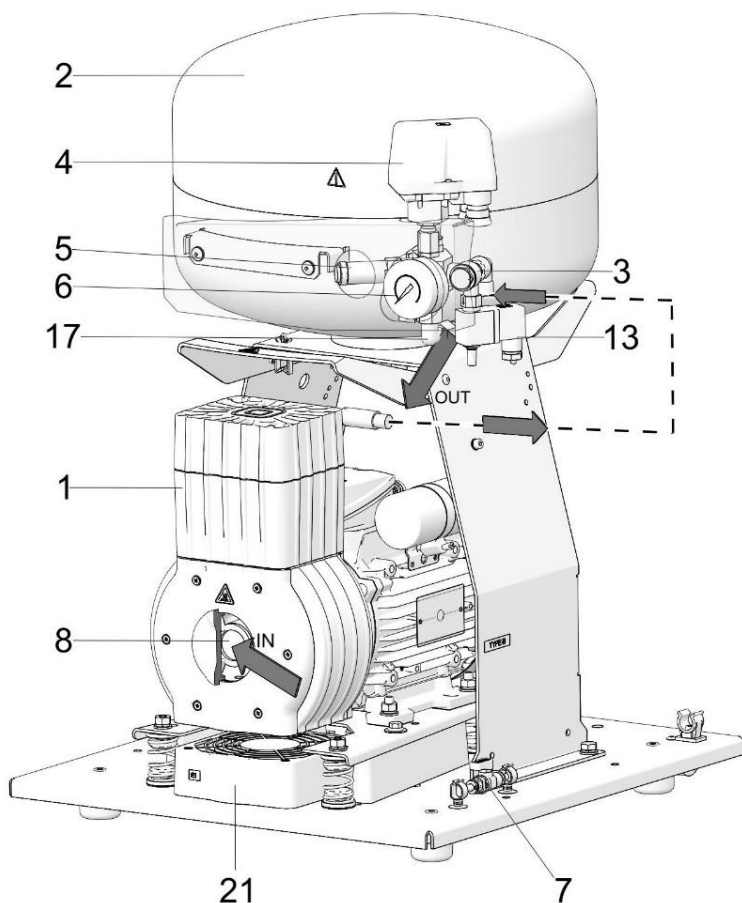
Überhitzungsgefahr des Kompressors.

Stellen Sie sicher, dass keine Blockaden am Einlass der Kühlluft in das Gehäuse (im Bodenbereich des Gehäuses) und am Auslass der Warmluft an der Hinterseite des Gehäuses im oberen Bereich bestehen.

Wird der Kompressor auf eine weiche Unterlage gestellt (z.B. auf einen Teppich), schaffen Sie einen Abstand zwischen der Basis und dem Boden oder dem Gehäuse und dem Boden, indem die Füße z.B. auf feste Blöcke gestellt werden. Damit wird eine ausreichende Kühlung des Kompressors gewährleistet.

Das Kompressormodell mit 8-10 bar ist mit einem Stundenzähler ausgestattet.

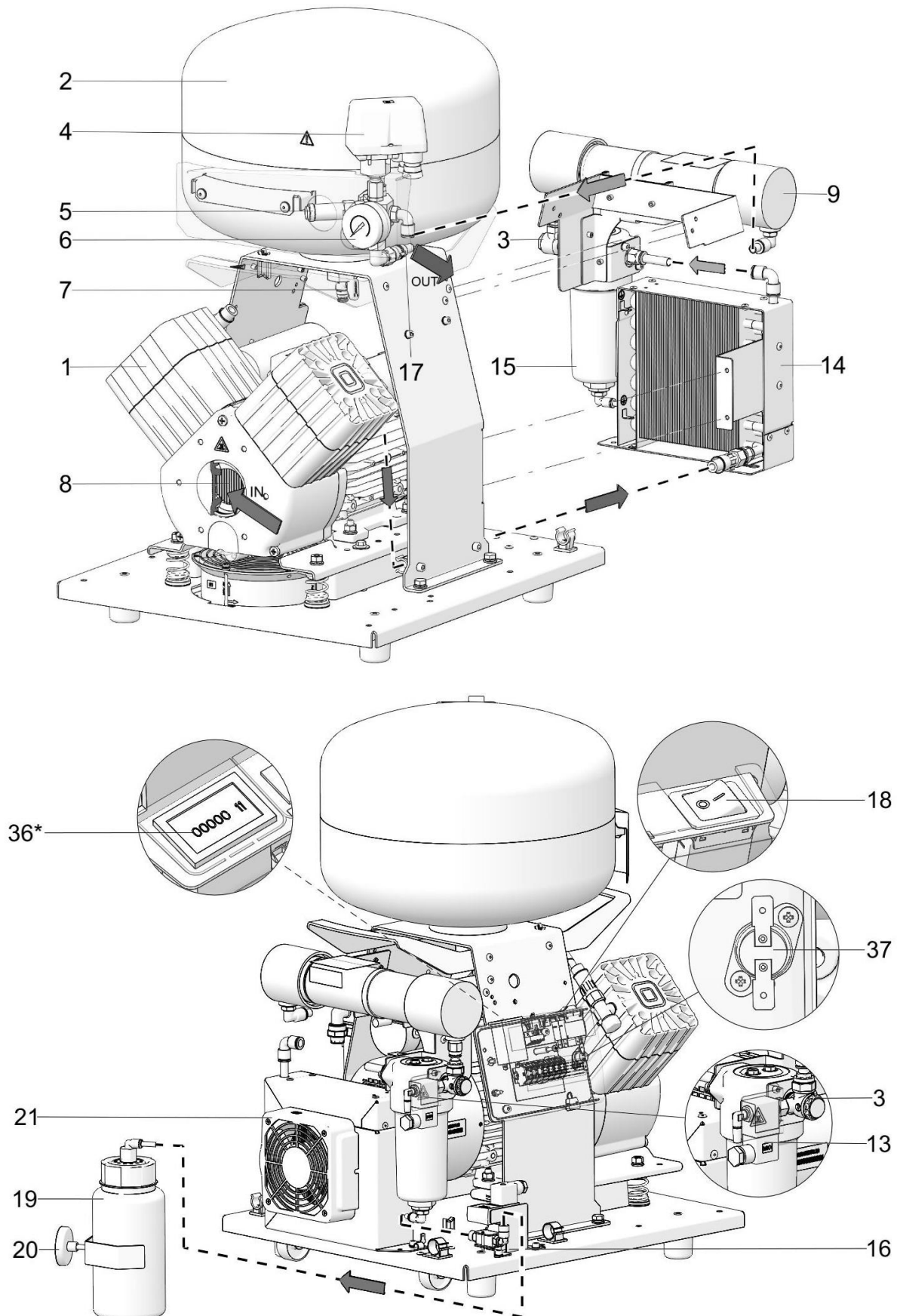
Abb. 1: DK50 PLUS – Kompressor **Beschreibung für Abbildungen 1–3**



- 1 Kompressoraggregat
- 2 Druckluftbehälter
- 3 Rückschlagventil
- 4 Druckschalter
- 5 Sicherheitsventil
- 6 Manometer
- 7 Ablassventil
- 8 Ansaugfilter
- 9 Trockner
- 10 -
- 11 -
- 12 -
- 13 Magnetventil
- 14 Trocknerkühler
- 15 Filter
- 16 Kondensatablassmagnetventil
- 17 Druckluftausgang
- 18 Trennschalter
- 19 Kondensatauffangbehälter
- 20 Magnetische Halterung
- 21 Lüfter
- 22 Gehäuselüfter
- 23 Türbolzen
- 24 Gleichrichterschraube
- 25 Sperre
- 26 Halterung
- 27 Wandanschlag
- 28 Schalter
- 29 Manometer
- 30 Türangel
- 31 Griff
- 32 Laufrollen
- 33 Manometer-Schlauch
- 34 Buchse
- 35 Stecker mit Kabel
- 36 *Stundenzähler
- 37 Thermostat

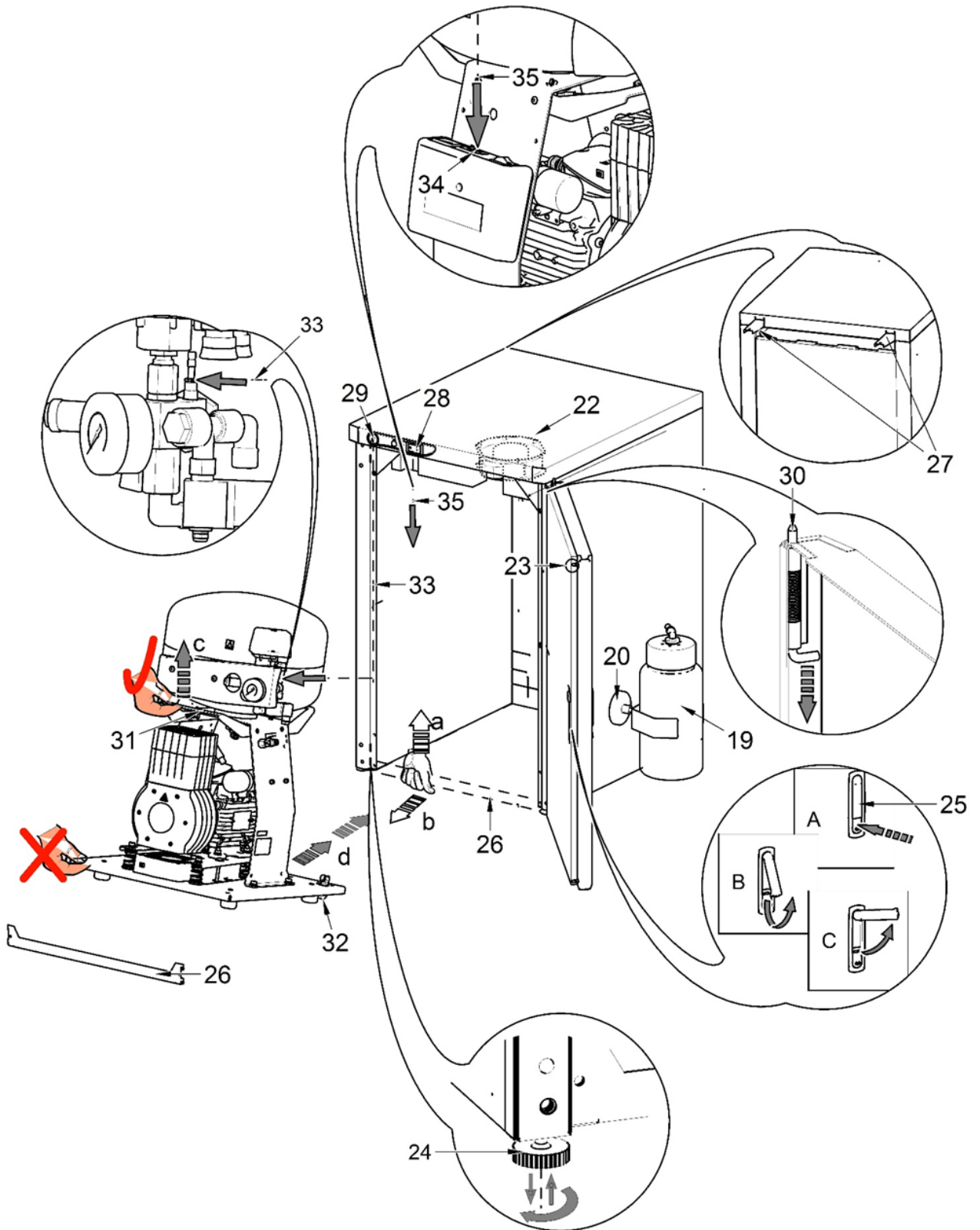
* Stundenzähler nur für das Kompressormodell mit 8 bis 10 bar installiert.

Abb. 2: DK50 2V/M – Kompressor mit Trockner



* Stundenzähler nur für das Kompressormodell mit 8 bis 10 bar installiert.

Abb. 3: – Kompressorgehäuse



TECHNISCHE DATEN

Die Kompressoren sind für den Betrieb in trockenen, belüfteten und staubfreien Innenräumen mit den folgenden klimatischen Bedingungen vorgesehen:

Temperatur

von +5 °C bis +40 °C

Relative Feuchtigkeit

max. 70 %

Arbeitsdruck 6 – 8 bar		DK50 PLUS		DK50PLUS S		DK50 PLUS/M		DK50 PLUS S/M	
Nennspannung Frequenz ^{a)}	V, Hz	230, 50/60	115,60	230, 50/60	115,60	230, 50/60	115,60	230, 50/60	115,60
Kapazität bei 6 bar (FAD)	l/min	70/80	80	70/80	80	60/70	70	60/70	70
Arbeitsdruck ^{b)}	bar	6,0 – 8,0		6,0 – 8,0		6,0 – 8,0		6,0 – 8,0	
Max. Strom	A	5,1/5,4	9,8	5,2/5,5	10,0	5,3/5,6	10,0	5,4/5,7	10,2
Motorleistung	kW	0,55		0,55		0,55		0,55	
Volumen Drucklufttank	l	25		25		25		25	
Luftqualität - Filterung	µm	-		-		0,1		0,1	
Max. Betriebsdruck des Sicherheitsventils	bar	9,0/11,0 ^{d)}		9,0/11,0 ^{d)}		9,0/11,0 ^{d)}		9,0/11,0 ^{d)}	
Geräuschpegel bei 5 bar (L _{pA}) ^{e)}	dB	≤ 65/67	≤ 67	≤ 47/50	≤ 50	≤ 65/67	≤ 67	≤ 47/50	≤ 50
Betriebsmodus	%	S1-100		S1-100		S1-100		S1-100	
PDP-Trocknung bei 7 bar	°C	-		-		≤+3		≤+3	
Zeit, den Druckluftspeicher von 0 bis 7 bar zu füllen	s	150/125	125	150/125	125	175/150	150	175/150	150
Abmessungen (netto) L x B x H	mm	460x500x708		560x675x877		460x565x708		560x675x877	
Nettogewicht ^{c)}	kg	48		87		53		92	

^{a)} Nennen Sie das Kompressormodell in der Bestellung

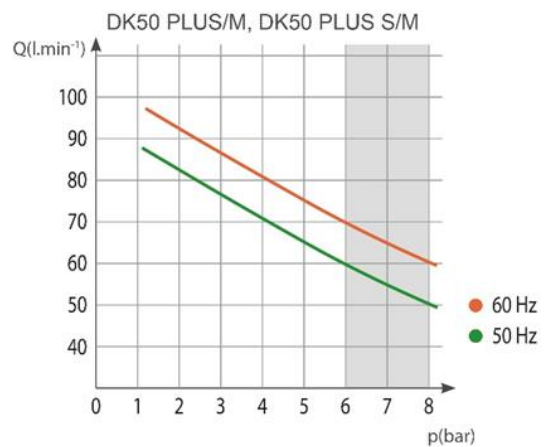
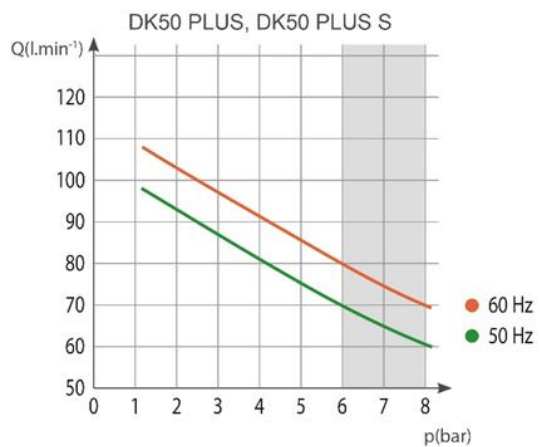
^{b)} Kontaktieren Sie für andere Druckbereiche den Lieferanten

^{c)} Die Gewichtsangabe ist nur informativ und gilt für ein Produkt ohne Zubehör

^{d)} Gilt für spezielle Varianten

^{e)} Schalldruckpegel gemessen in einem Abstand von 1,5 m mit A-Bewertungsfilter.

Abhängigkeit von Kompressorkapazität zum Arbeitsdruck



Arbeitsdruck 8 – 10 bar		DK50 PLUS		DK50PLUS S		DK50 PLUS/M		DK50 PLUS S/M	
Nennspannung Frequenz ^{a)}	V, Hz	230, 50/60	115, 60	230, 50/60	115, 60	230, 50/60	115, 60	230, 50/60	115, 60
Kapazität bei 8 bar (FAD)	l/min	60/70	70	60/70	70	50/60	60	50/60	60
Arbeitsdruck ^{b)}	bar	8,0 – 10,0		8,0 – 10,0		8,0 – 10,0		8,0 – 10,0	
Max. Strom	A	5,3/5,5	10,2	5,4/5,6	10,5	5,5/5,7	10,5	5,6/5,8	10,7
Motorleistung	kW	0,55		0,55		0,55		0,55	
Volumen Drucklufttank	l	25		25		25		25	
Luftqualität - Filterung	µm	-		-		0,1		0,1	
Max. Betriebsdruck des Sicherheitsventils	bar	11,0		11,0		11,0		11,0	
Geräuschpegel bei 5 bar (L _{pA}) ^{d)}	dB	≤ 65/67	≤ 67	≤ 47/50	≤ 50	≤ 65/67	≤ 67	≤ 47/50	≤ 50
Betriebsmodus	%	S1-100		S1-100		S1-100		S1-100	
PDP-Trocknung bei 7 bar	°C	-		-		≤+3		≤+3	
Zeit, den Druckluftspeicher von 0 bis 7 bar zu füllen	s	150/125	125	150/125	125	175/150	150	175/150	150
Abmessungen (netto) L x B x H	mm	460x500x708		560x675x877		460x565x708		560x675x877	
Nettogewicht ^{e)}	kg	48		87		53		92	

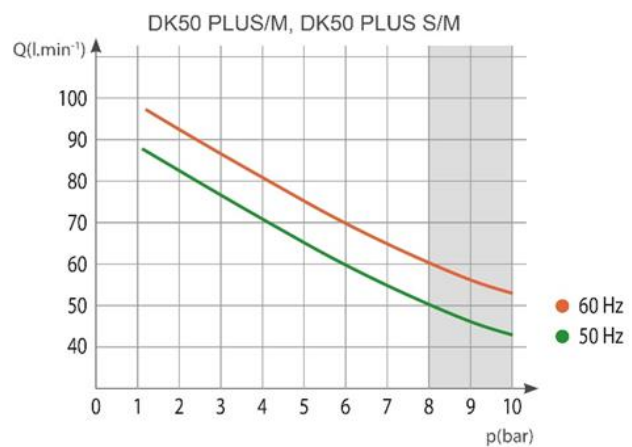
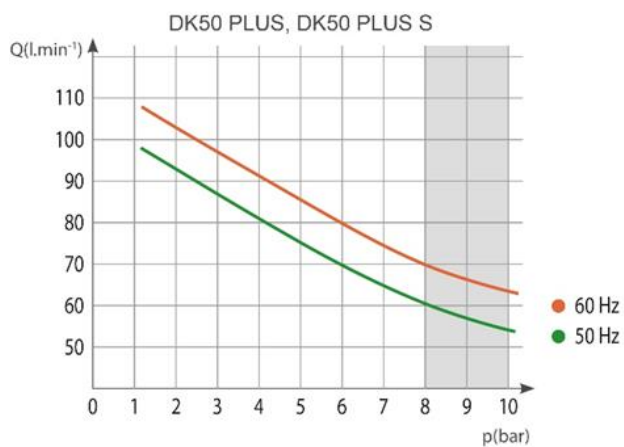
a) Nennen Sie das Kompressormodell in der Bestellung

b) Kontaktieren Sie für andere Druckbereiche den Lieferanten

c) Die Gewichtsangabe ist nur informativ und gilt für ein Produkt ohne Zubehör

d) Schalldruckpegel gemessen in einem Abstand von 1,5 m mit A-Bewertungsfilter.

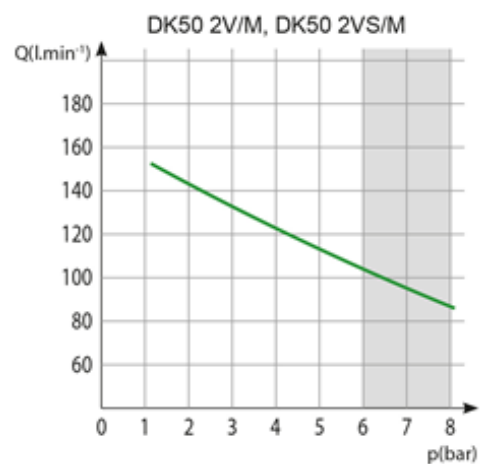
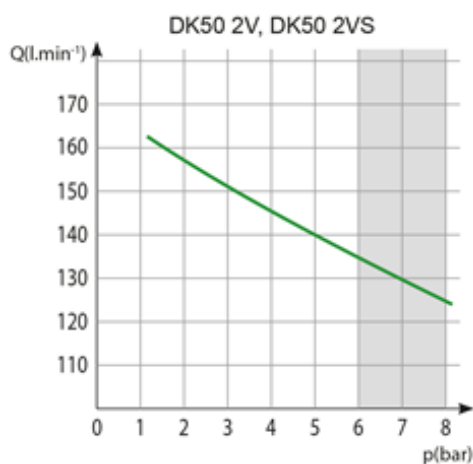
Abhängigkeit von Kompressorkapazität zum Arbeitsdruck



Arbeitsdruck 6 – 8 bar		DK50 2V		DK50 2V S		DK50 2V/M		DK50 2V S/M	
Nennspannung Frequenz ^{a)}	V, Hz	230,50 3x400, 50	230,60 115/60	230,50 3x400, 50	230,60 115,60	230,50 3x400, 50	230,60 115,60	230,50 3x400, 50	230, 60 115, 60
Kapazität bei 6 bar (FAD)	l/min	135		135		104		104	
Arbeitsdruck ^{b)}	bar	6,0 – 8,0		6,0 – 8,0		6,0 – 8,0		6,0 – 8,0	
Max. Strom	A	8,6 3,8	9,2 16,5	8,8 4,0	9,4 16,8	8,7 3,9	9,3 16,8	8,9 4,1	9,5 17,0
Motorleistung	kW	1,2 1,2	1,2 1,1	1,2 1,2	1,2 1,1	1,2 1,2	1,2 1,1	1,2 1,2	1,2 1,1
Objem vzdušnika	l	25		25		25		25	
Luftqualität - Filterung	µm	-		-		0,1		0,1	
Max. Betriebsdruck des Sicherheitsventils	bar	9,0/11,0 ^{d)}		9,0/11,0 ^{d)}		9,0/11,0 ^{d)}		9,0/11,0 ^{d)}	
Geräuschpegel bei 5 bar (L _{pA}) ^{e)}	dB	≤68		≤53		≤68		≤54	
Betriebsmodus	%	S1-100		S1-100		S1-100		S1-100	
PDP-Trocknung bei 7 bar	°C	-		-		≤+3		≤+3	
Zeit, den Druckluftspeicher von 0 bis 7 bar zu füllen	s	75		75		80		80	
Abmessungen (netto) L x B x H	mm	460x500x720		560x675x877		460x565x720		560x675x877	
Nettogewicht ^{c)}	kg	55 53	55	93 91	93	60 58	60	98 96	98

- a) Nennen Sie das Kompressormodell in der Bestellung
- b) Kontaktieren Sie für andere Druckbereiche den Lieferanten
- c) Die Gewichtsangabe ist nur informativ und gilt für ein Produkt ohne Zubehör
- d) Gilt für spezielle Varianten
- e) Schalldruckpegel gemessen in einem Abstand von 1,5 m mit A-Bewertungsfilter.

Abhängigkeit von Kompressorkapazität zum Arbeitsdruck



Arbeitsdruck 8 – 10 bar		DK50 2V		DK50 2V S		DK50 2V/M		DK50 2V S/M	
Nennspannung Frequenz ^{a)}	V, Hz	230,50 3x400, 50	230, 60 115, 60	230,50 3x400, 50	230,60 115, 60	230,50 3x400, 50	230, 60 115, 60	230, 50 3x400, 50	230, 60 115, 60
Kapazität bei 8 bar (FAD)	l/min	110		110		87		87	
Arbeitsdruck ^{b)}	bar	8,0 – 10,0		8,0 – 10,0		8,0 – 10,0		8,0 – 10,0	
Max. Strom	A	8,4 4,6	9,3 18,6	8,6 4,8	9,5 18,8	8,5 4,7	9,4 18,7	8,7 4,9	9,6 18,9
Motorleistung	kW	1,2 1,2	1,2 1,1	1,2 1,2	1,2 1,1	1,2 1,2	1,2 1,1	1,2 1,2	1,2 1,1
Volumen Drucklufttank	l	25		25		25		25	
Luftqualität - Filterung	µm	-		-		0,1		0,1	
Max. Betriebsdruck des Sicherheitsventils	bar	11,0		11,0		11,0		11,0	
Geräuschpegel bei 5 bar (L _{pA}) ^{d)}	dB	≤68		≤53		≤68		≤54	
Betriebsmodus	%	S1-100		S1-100		S1-100		S1-100	
PDP-Trocknung bei 7 bar	°C	-		-		≤+3		≤+3	
Zeit, des Druckluftspeicher von 0 bis 7 bar zu füllen	s	85		85		90		90	
Abmessungen (netto) L x B x H	mm	460x500x720		560x675x877		460x565x720		560x675x877	
Nettogewicht ^{c)}	kg	58 56	58	96 94	96	63 61	63	101 99	101

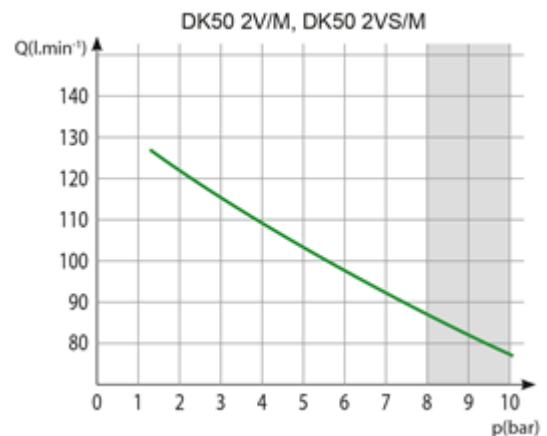
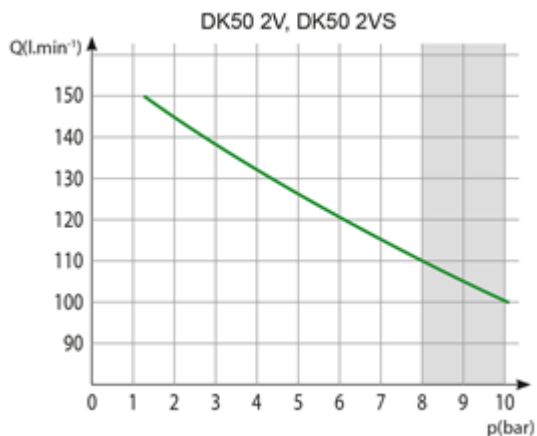
a) Nennen Sie das Kompressormodell in der Bestellung

b) Kontaktieren Sie für andere Druckbereiche den Lieferanten

c) Die Gewichtsangabe ist nur informativ und gilt für ein Produkt ohne Zubehör

d) Schalldruckpegel gemessen in einem Abstand von 1,5 m mit A-Bewertungsfilter.

Abhängigkeit von Kompressorkapazität zum Arbeitsdruck



FAD-Kapazitätskorrektur für Höhenlagen

Die Kapazität in Form von FAD („Free Air Delivery“, freie Druckluftversorgung) gilt für die folgenden Bedingungen:

Höhenlage	0 m.n.m.	Temperatur	20 °C
Umgebungsdruck	101325 Pa	Relative Feuchtigkeit	0 %

Um die FAD-Kompressorkapazität in Abhängigkeit von der Höhenlage zu berechnen, muss der Korrekturfaktor gemäß der folgenden Tabelle angewendet werden:

Höhenlage [m.n.m.]	0 – 1500	1.501 – 2.500	2.501 – 3.500	3.501 – 4.500
FAD-Korrekturfaktor	1	0,8	0,71	0,60

INSTALLATION



Risiko von Installationsfehlern.

Der Kompressor darf ausschließlich durch eine hierfür qualifizierte Fachkraft installiert und in Betrieb genommen werden. Dieser ist verpflichtet, professionelles Bedienpersonal bzgl. der Nutzung und Wartung des Geräts zu schulen. Er wird die Installation sowie die Schulung der Bediener durch einen Eintrag in das Installationsprotokoll (Siehe Garantiekarte) bestätigen.

9. INSTALLATIONSBEDINGUGEN

- Der Kompressor darf nur in trockenen, gut belüfteten und staubfreien Räumen installiert und verwendet werden.



Beschädigungsgefahr für das Gerät.

Verwenden Sie das Gerät nicht in Außenbereichen oder in feuchten oder nassen Räumen.



Explosionsrisiko.

Installieren Sie das Gerät nicht in Räumen, in denen mit explosiven Gasen oder entflammaren Flüssigkeiten zu rechnen ist.

- Der Kompressor muss so installiert werden, dass er jederzeit leicht für die Bedienung und Wartung zugänglich und das Etikett am Gerät erreichbar ist.
- Der Kompressor muss auf einer ebenen und ausreichend stabilen Grundlage stehen (beachten Sie das Kompressorgewicht, siehe hierzu technische Daten).



Wenn Sie das Produkt erstmals einsetzen, stellen Sie möglicherweise (für kurze Zeit) einen Geruch nach „neuem Produkt“ fest. Dieser Geruch ist vorübergehend und beeinträchtigt die normale Nutzung des Produkts nicht. Sorgen Sie dafür, dass der Raum nach der Installation richtig gelüftet wird.

10. ZUSAMMENBAU DES KOMPRESSOR

10.1. Handhabung und Entfernen der Transportsicherung

- Packen Sie den Kompressor aus.
- Platzieren Sie den Kompressor am Aufstellungsort (Abb. 4).

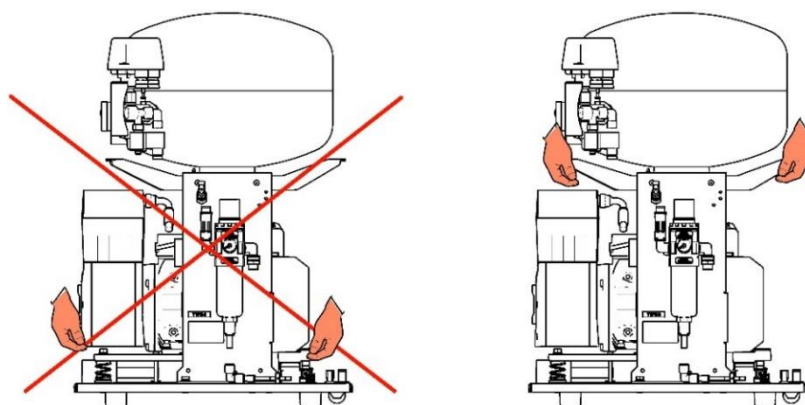


Verwenden Sie die Griffe am Kompressor, um ihn bei Bedarf zu bewegen. Verwenden Sie keine anderen Teile des Kompressors (das Aggregat, den Kühler usw.) als Griff.



Die Anzahl der Personen, die zum Umgang mit dem Gerät erforderlich sind, muss auf das Gewicht des Geräts abgestimmt sein.

Abb. 4: Handhabung des Kompressors



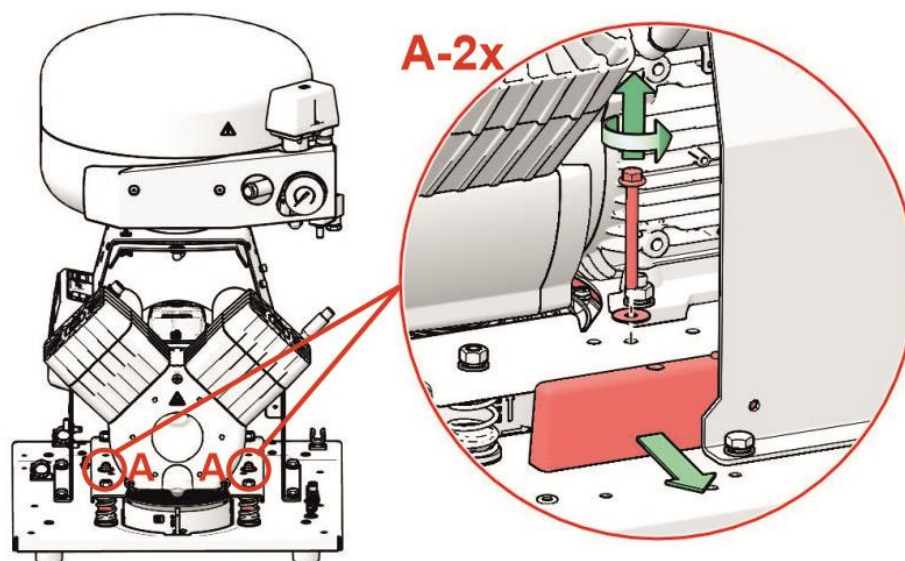
- Entfernen Sie die Transportsicherungen von den Pumpen (Abb. 5).



Stellen Sie vor der Installation sicher, dass der Kompressor frei von Verpackungsmaterial und Stabilisatoren ist, um Schäden am Produkt zu vermeiden.

Entfernen Sie die Befestigungselemente der Pumpen, nachdem der Kompressor zusammengebaut und am endgültigen Aufstellungsort nivelliert wurde.

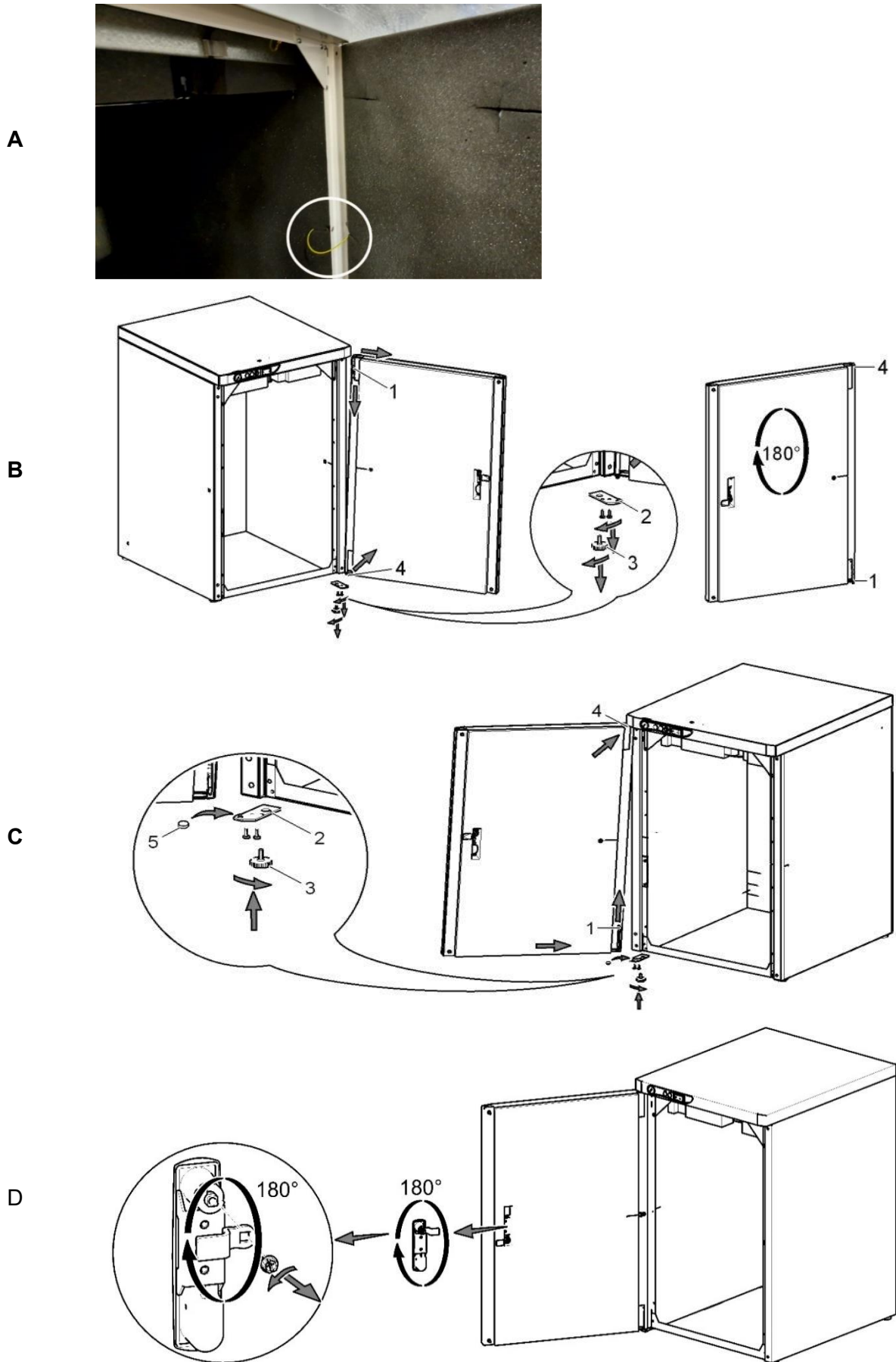
Abb. 5: Freischalten der Pumpe



10.2. Ändern der Türöffnungsrichtung

- Trennen Sie den Erdungsleiter vom Schrank. (A)
- Entfernen Sie die Tür, die Ausgleichsschrauben auf beiden Seiten des Gehäuses (3) und die Halterung (2) des Scharniers (4). (B)
- Installieren Sie die Halterung für das Scharnier (2) an der linken Seite des Gehäuses. (C)
- Drehen Sie die Tür um 180 Grad. (B)
- Setzen Sie den Abstandhalter (5) zwischen das Scharnier (1) und den Boden der Tür. (C)
- Montieren Sie die Tür, die 2 Gleichrichterschrauben (3) und schließen Sie den Erdungsleiter an. (C)
- Entfernen Sie die Türverriegelung (6) und drehen Sie um 180 Grad. (D)
- Entfernen Sie den Riegel (7) und drehen Sie um 180 Grad. (D)
- Bauen Sie die Verriegelung ein. (D)

Abb. 6: Ändern der Türöffnungsrichtung



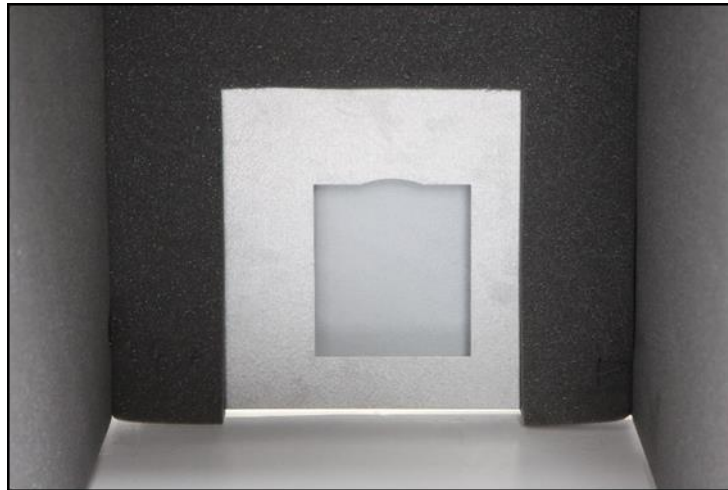
10.3. Gehäuseeinbau von Schallschutzmaterial

Ein Bauteil aus Schallschutzmaterial ist in die Gehäuseöffnung des Kompressors ohne Trockner einzubauen.

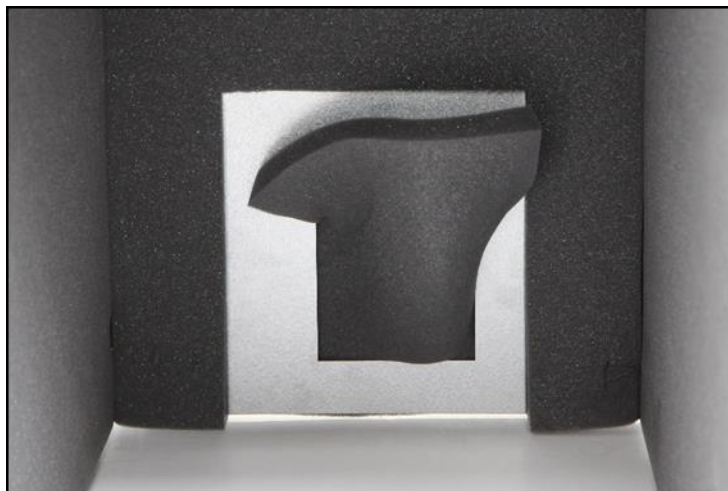
Dieses Teil ist in der mit dem Produkt gelieferten Grundausrüstung enthalten.

Abb. 7: Gehäuseeinbau von Schallschutzmaterial

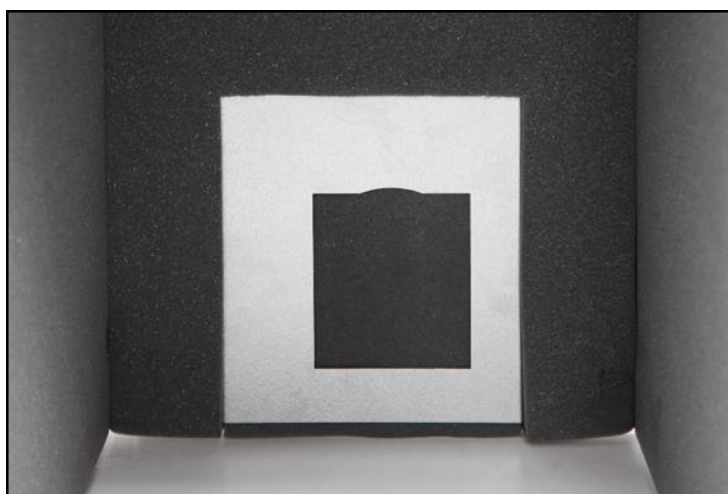
A



B



C



11. PNEUMATISCHER ANSCHLÜSSE

11.1. Anschluss an den Druckluftausgang

- Die Druckleitung (2) ist am Druckluftauslass (1) am Kompressor befestigt.
- Führen Sie den Druckschlauch bei Kompressoren mit Schrankmontage durch die Öffnung an der Rückwand des Schrankes.

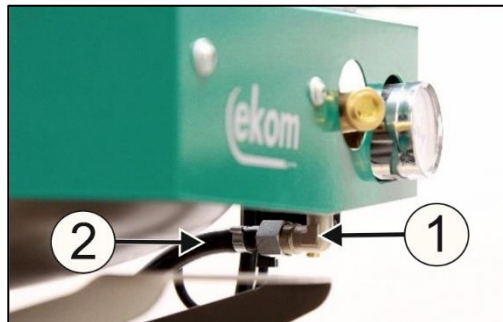


Abb. 8: Anschluss an den Druckluftausgang

- Führen Sie bei Kompressoren mit Gehäuseeinbau den Druckluftschlauch durch die Öffnung an der Rückwand des Gehäuses (Abb. 10).

11.2. Verbinden des Schrank-Druckmessers mit dem Kompressor

- Entfernen Sie den Stopfen (1) von dem Gewinden (2) am Druckluftblock des Kompressors.
- Verbinden Sie den Schrank-Druckmesserschlauch mit dem Kompressor.

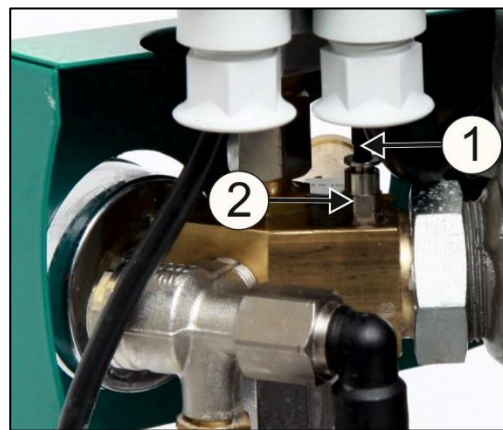
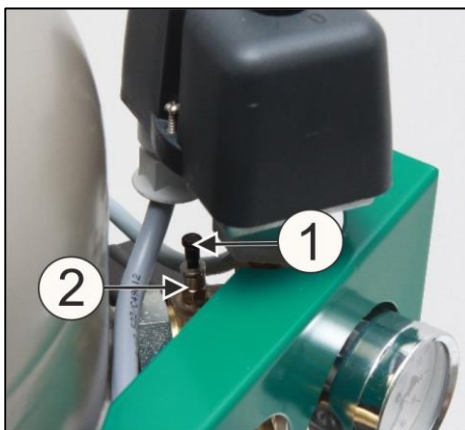
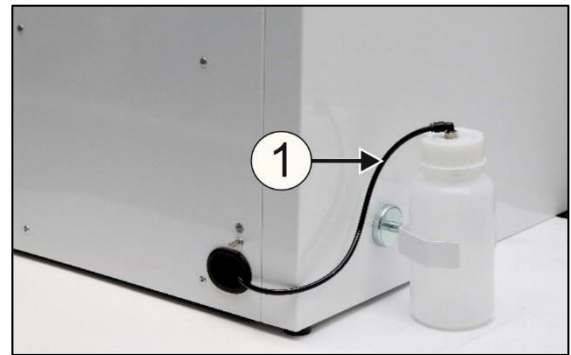
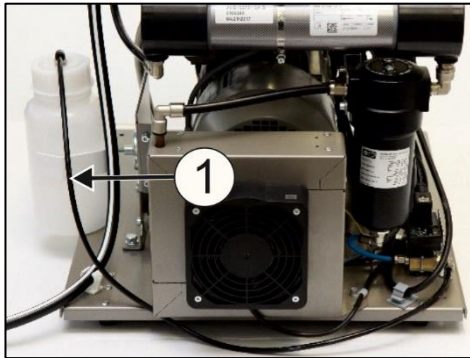


Abb. 9: Verbinden des Schrank-Druckmessers mit dem Kompressor

11.3. Anschluss des Kondensatauffangbehälter

- Schließen Sie bei Kompressoren mit Gehäuseeinbau den Kondensatablaufschauch an die Kondensatauffangbehälter (Abb. 10) an.

Abb. 10: Anschluss des Kondensatbehälters



- Führen Sie bei Kompressor-Modellen mit Trockner den Schlauch durch die Öffnung an der Rückwand des Gehäuses und verbinden Sie ihn mit dem Behälter.

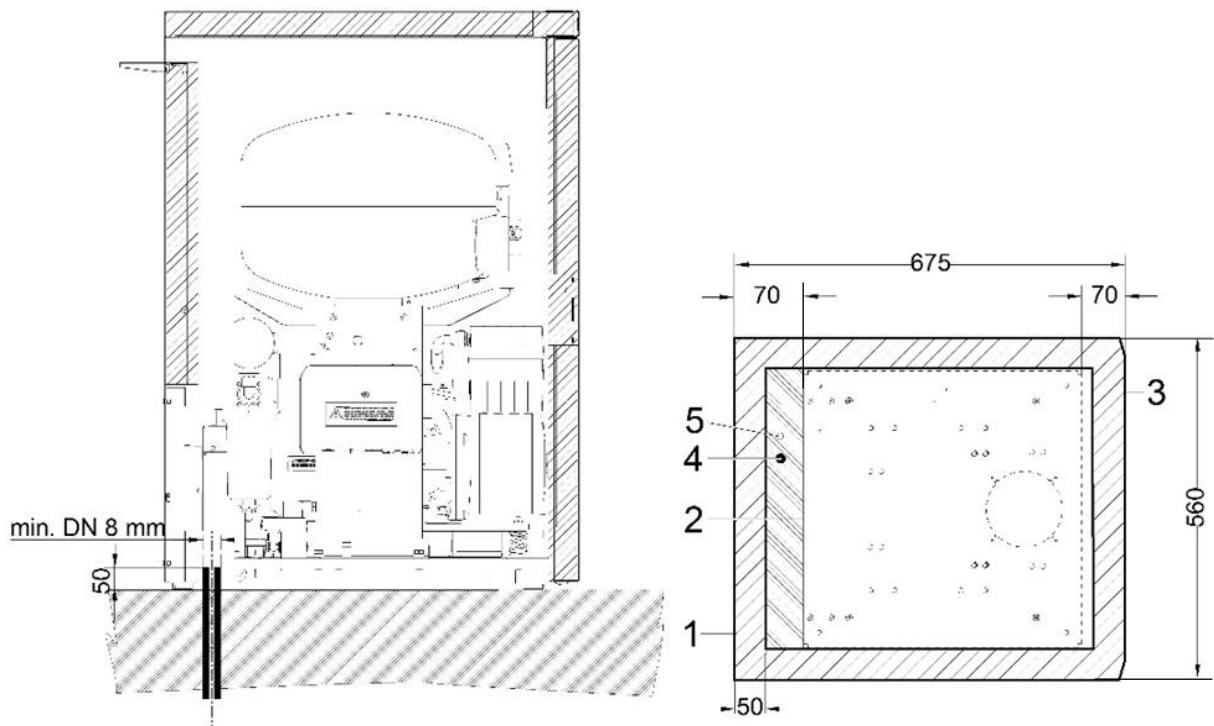


Beschädigungsgefahr für Pneumatikkomponenten.

Druckluftschläuche müssen unbeschädigt sein.

11.4. Befestigung am Boden

Befestigen Sie den Kompressor mithilfe der Verbindungen im Boden gemäß Installationsplan.



- 1 - Übersicht Schrank
- 2 - Übersicht Grundlage
- 3 - Vorderer Abschnitt – Tür
- 4 - Druckluft-anschluss, G3/8"
- 5 - Netzstrom-eingang:
 230V/50(60)Hz 3Gx1.0x4000
 3x400V/50Hz 5Gx1.0x4000

- alle Maße sind in Millimetern
- Abstand von der Wand mind. 100 mm

Abb. 11: Befestigung am Boden

12. ELEKTRISCHER ANSCHLUSS

- Das Produkt wird mit einem Kabel mit Stecker und Erdungsstift geliefert.
- Die Steckdose muss leicht zugänglich sein, damit das Gerät sicher vom Strom getrennt werden kann.
- Der entsprechende Schaltkreis muss in der Stromverteilung mit max. 16A geschützt sein.



Stromschlaggefahr.

Alle relevanten elektrotechnischen Vorschriften am Aufstellungsort sind einzuhalten. Die Netzspannung und Netzfrequenz müssen mit den Angaben auf dem Geräteetikett übereinstimmen.



Brand- und Stromschlaggefahr.

Stromkabel dürfen nicht mit heißen Kompressorteilen in Berührung kommen.



Brand- und Stromschlaggefahr.

Stromkabel müssen unbeschädigt sein.



Das DK50 PLUS S/M, SK50 2V S/M, -Kompressorgehäuse, Modellausführung mit 6-8 bar, ist mit einem Kühlerlüfter und einem Schalter ausgestattet. Das Gehäuse muss verbunden werden, indem das Kabel mit Stecker in den passenden Anschluss im Schaltkasten eingesteckt wird.

- Verbinden Sie den Potenzialausgleichsstift \varnothing mit 6 mm (1) mit dem Verteiler gemäß den gültigen elektrotechnischen Vorschriften. Der Potenzialausgleichsstecker (2) ist als Sonderzubehör nicht im Lieferumfang enthalten.



Abb. 12: Potenzialausgleich

12.1. Anschließen eines Kompressors ohne Gehäuse

- Stecken Sie den Netzstecker in eine Steckdose mit entsprechender Spannung.
- Der Kompressor ist nun betriebsbereit.

12.2. Anschließen eines Kompressors mit Gehäuse

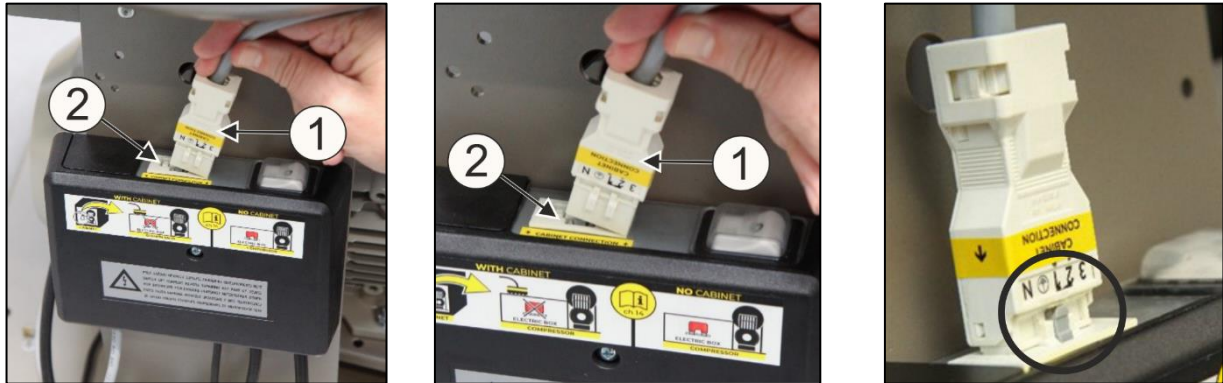
- Führen Sie bei Kompressoren mit Gehäuse den Netzstecker durch die Öffnung an der Rückwand des Gehäuses.



Abb. 13: Anschließen eines Kompressors mit Gehäuse

- Schließen Sie den Schaltschrank an den Kompressor an, indem Sie den Stecker (1) des mitgelieferten Netzkabels in eine Steckdose stecken. (Abb. 14)
- Unterbrechen Sie die den elektrischen Anschluss zwischen Schaltschrank und Kompressor, indem Sie den Stecker (1) aus der Steckdose ziehen, während die Verriegelung gelöst ist.

Abb. 14: Anschließen eines Kompressors mit Gehäuse



13. INBETRIEBNAHME

- Überprüfen Sie, ob alle für den Transport verwendeten Befestigungselemente entfernt wurden.
- Überprüfen Sie den Druckluftanschluss (siehe Kapitel 11).
- Überprüfen Sie den Anschluss an den Netzstrom (siehe Kapitel 12).
- Überprüfen Sie die Stellung des Trennschalters; dieser muss auf der Position „I“ stehen. Steht er auf der Position „0“, drehen Sie den Schalter (4) auf die Position „I“. (Abb. 15).
- Stellen Sie am Kompressor DK50 PLUS S/M (8–10 bar) den Schalter (5) an der Vorderseite des Gehäuses auf die Position „I“; die grüne Leuchte zeigt an, dass das Gerät betriebsbereit ist. (Abb. 15).
- Überprüfen Sie, ob das DK50 PLUS S/M und DK50 2V S/M -Kompressorgehäuse (nur 8–10 bar) durch ein Steckerkabel mit dem Kompressor verbunden ist (Abb. 14).
- Kontrollieren Sie die Verbindung des Gehäuse-Druckmessschlauchs zum Druckluftblock des Kompressors.

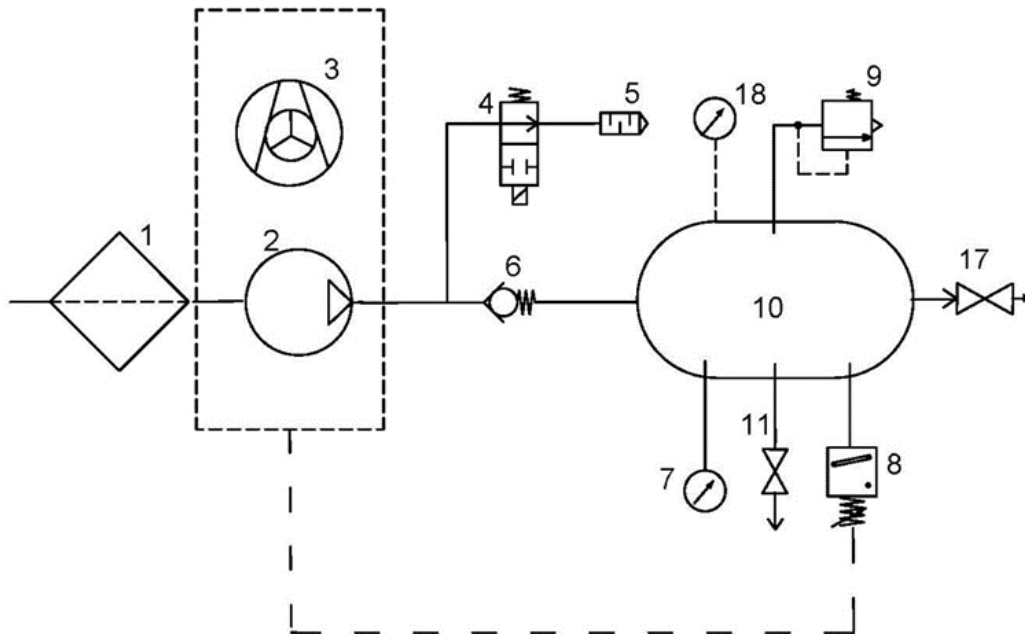


Der Kompressor besitzt keine Reserveenergiequelle.

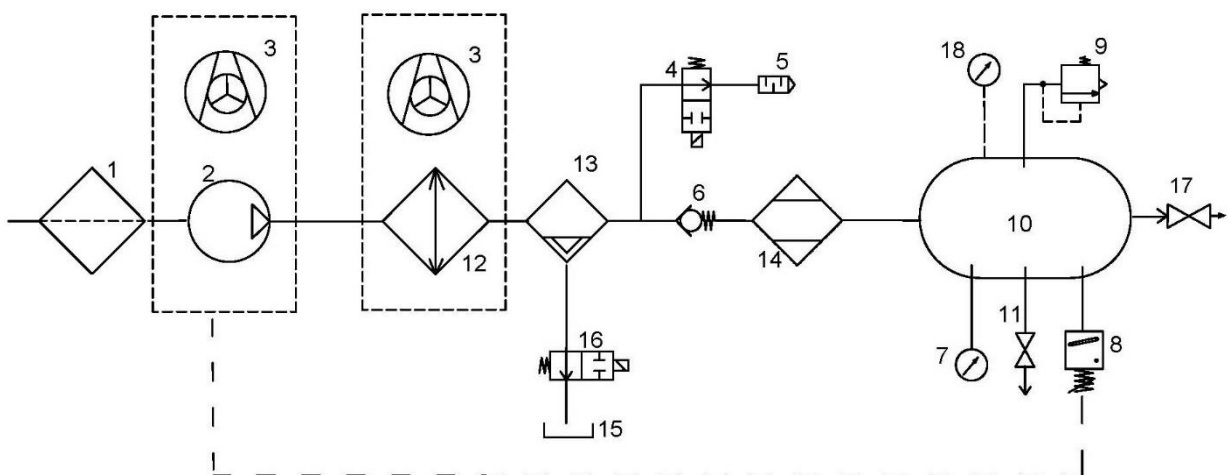
14. DRUCKLUFT- UND ELEKTROSCHALTPLÄNE

14.1. Druckluftplan

DK50 PLUS, DK50 PLUS S, DK50 2V, DK50 2V S



DK50 PLUS/M, DK50 PLUS S/M, DK50 2V/M, DK50 2V S/M



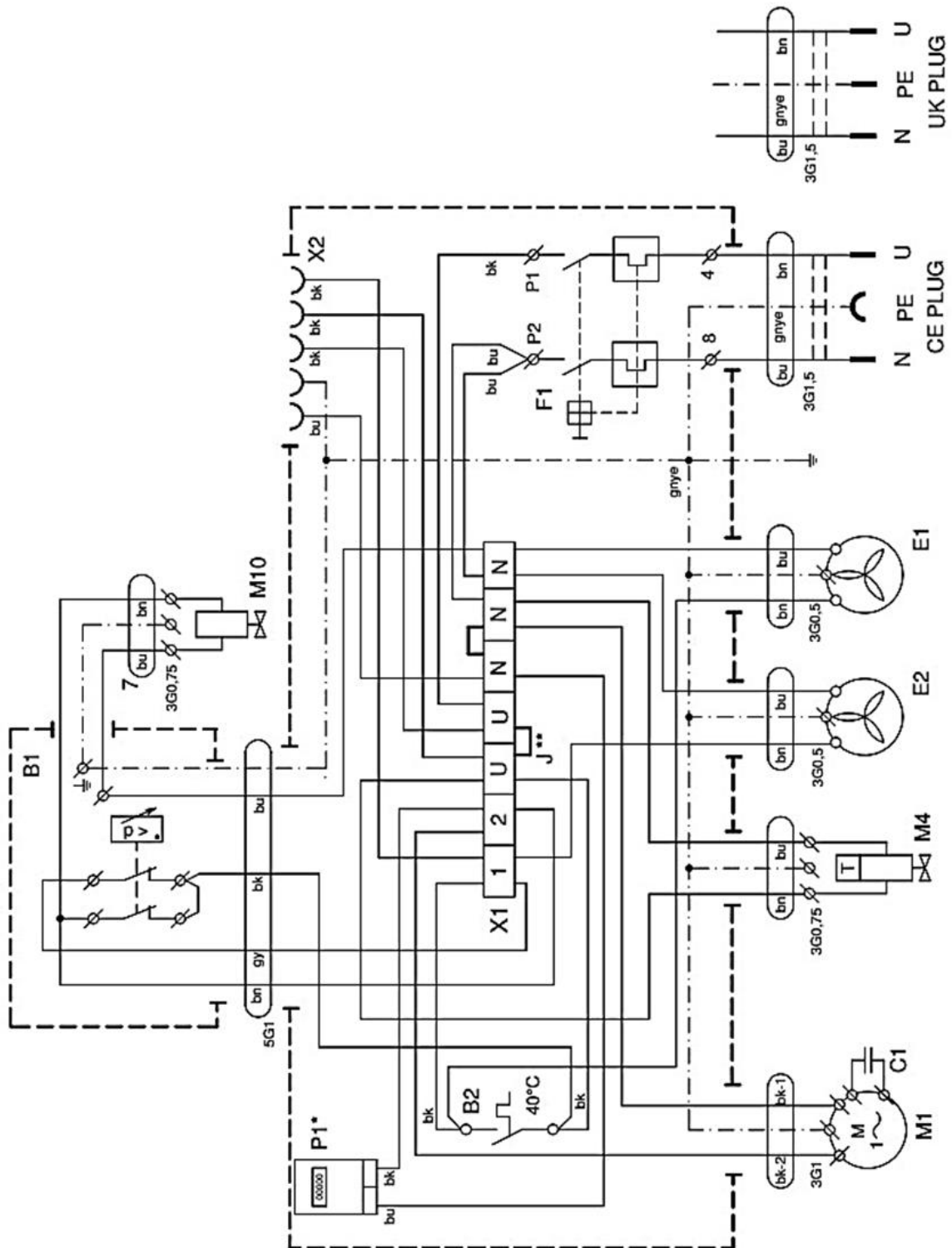
Beschreibung des Druckluftplans:

- | | |
|---------------------|------------------------------------|
| 1 Ansaugfilter | 10 Druckluftbehälter |
| 2 Kompressor | 11 Ablassventil |
| 3 Lüfter | 12 Kühler |
| 4 Entlüftungsventil | 13 Koaleszenzfilter |
| 5 Schalldämpfer | 14 Membrantrockner |
| 6 Rückschlagventil | 15 Kondensatauffangbehälter |
| 7 Manometer | 16 Magnetventil an Kondensatablauf |
| 8 Druckschalter | 17 Ausgangsventil |
| 9 Sicherheitsventil | 18 Schrank-Druckmesser |

DK50 PLUS/M, DK50 PLUS S/M DK50 2V/M, DK50 2V S/M 6 - 8 bar, 8 - 10 bar

1/N/PE 230 V, 50/60 Hz

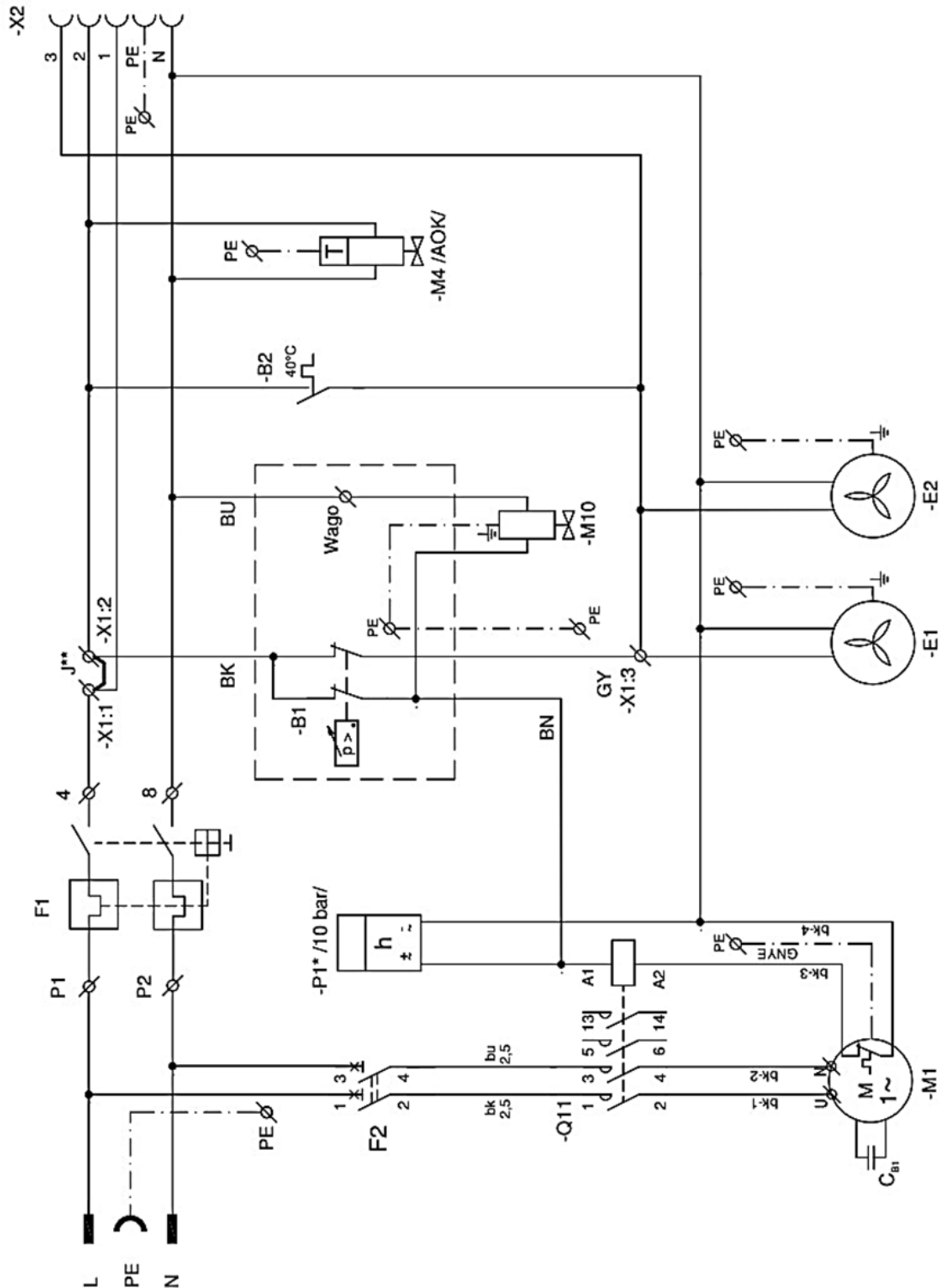
ELEKTRISCHE OBJEKTKLASSE 1



DK50 PLUS/M, DK50 PLUS S/M DK50 2V/M, DK50 2V S/M 6 - 8 bar, 8 - 10 bar

1/N/PE 115 V, 60 Hz

ELEKTRISCHE OBJEKTKLASSE 1



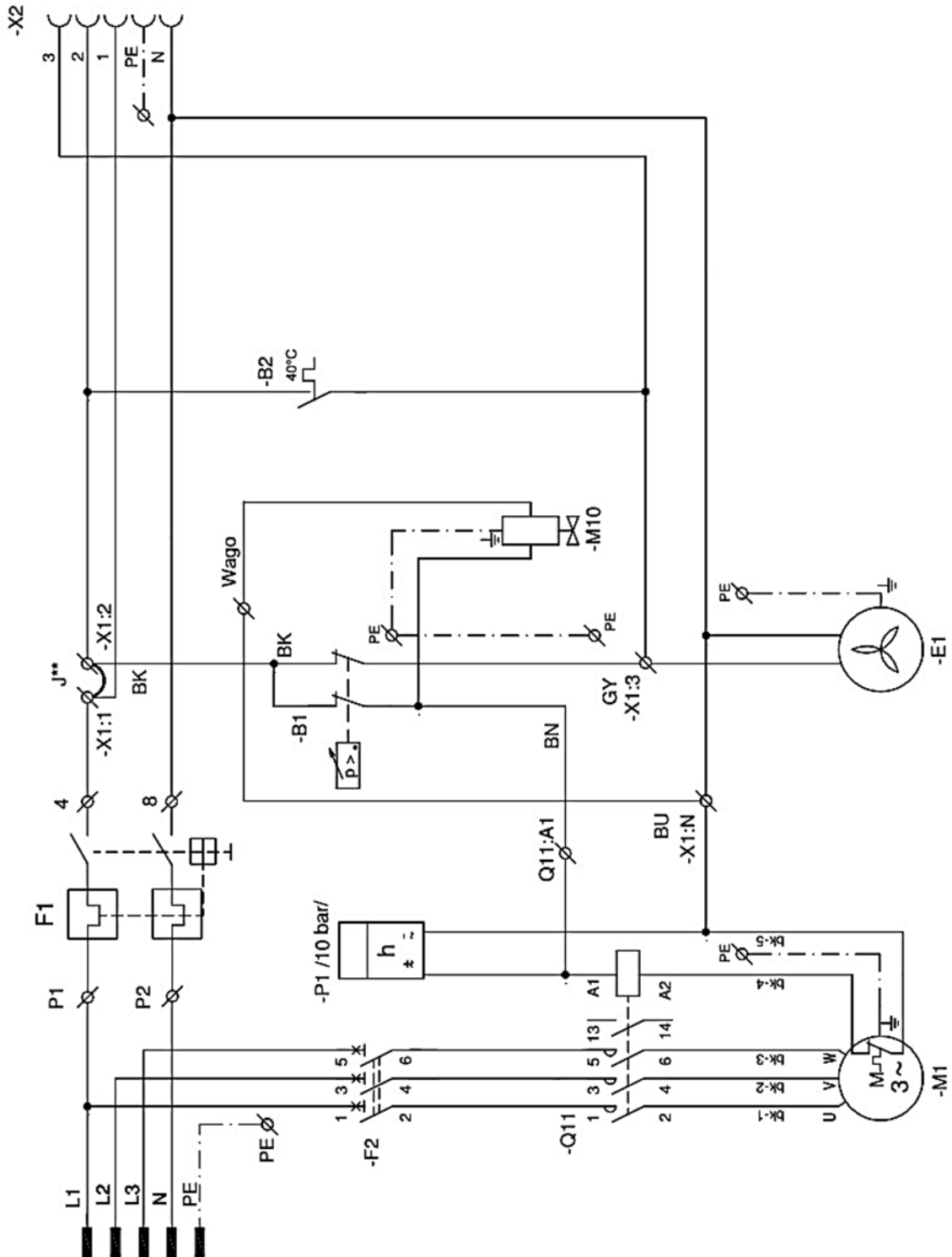
DK50 2V, DK50 2V S

6 - 8 bar, 8 - 10 bar

3/N/PE 400 V, 50Hz

NETZ TN-S [TN-C-S]

ELEKTRISCHE OBJEKTKLASSE 1



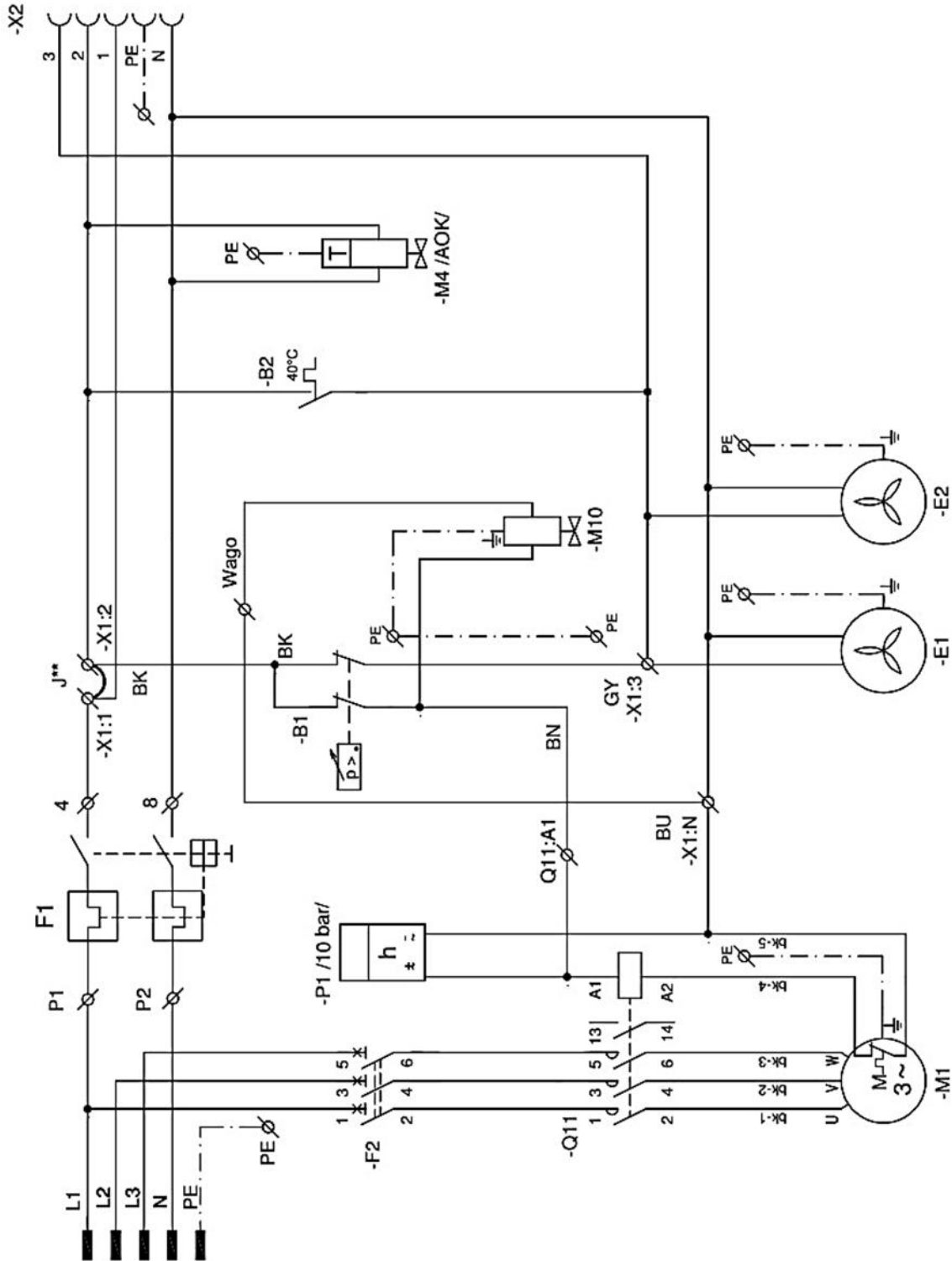
DK50 2V/M, DK50 2V S/M

6 - 8 bar, 8 - 10 bar

3/N/PE 400 V, 50 Hz

NETZ TN-S [TN-C-S]

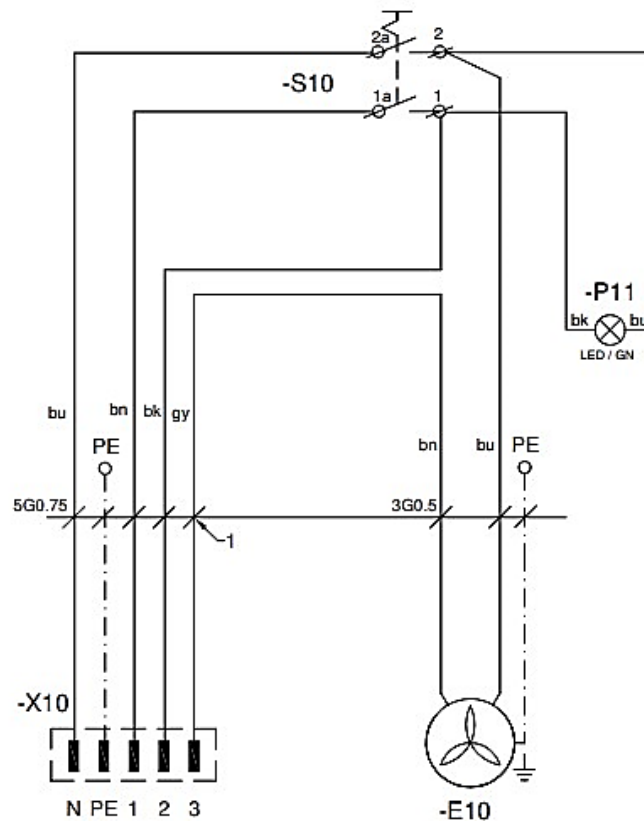
ELEKTRISCHE OBJEKTKLASSE 1



Kompressorschrank

1/N/PE 230 V, 50 Hz

ELEKTRISCHE OBJEKTKLASSE 1



Beschreibung der Elektroschaltpläne:

M1	Kompressormotor	C1	Kondensator
E1	Kompressorlüfter	B1	Druckschalter
E2	Trocknerlüfter	X1	Klemmblock
M10	Ablassventil	F1	Trennschalter
B2	Temperaturschalter	M4	Kondensatablassventil
E10	Gehäuselüfter	P1	Stundenzähler
X10,X2	Verbinder	S10	Schalter
F2	Sicherheitsschalter	P11	Anzeige
Q11	Schutz	X2	Netzdose

Hinweis:

- J** - Schließen Sie nur den Jumper für Kompressoren ohne Schrank an (siehe Kapitel. 17.10)
- P1* - Das Kompressormodell mit 8–10 bar ist mit einem Stundenzähler ausgestattet

BETRIEB

DAS GERÄT DARF NUR DURCH GESCHULTES PERSONAL BEDIENT WERDEN!



Stromschlaggefahr

Trennen Sie bei Gefahr den Kompressor vom Stromnetz (Netzstecker ziehen).



Verbrennungs- oder Brandgefahr.

Während des Kompressorbetriebs können die Pumpenteile Temperaturen erreichen, die für den Kontakt mit Personen oder Materialien gefährlich sein können.



Achtung – Kompressor wird automatisch gesteuert.

Automatischer Start. Sinkt der Druck im Druckluftbehälter unter den Einschaltdruck, schaltet sich der Kompressor automatisch ein. Der Kompressor schaltet sich automatisch aus, wenn der Druck im Druckluftbehälter den Abschaltdruck erreicht.



Beschädigungsgefahr für Pneumatikkomponenten.

Die Einstellungen des Arbeitsdrucks für den Druckschalter, die vom Hersteller gemacht wurden, können nicht geändert werden. Läuft der Kompressor bei höheren Betriebsdrücken als dem Einschaltdruck, ist der Druckluftverbrauch zu hoch (siehe Kapitel „Störungen“).



Beschädigungsgefahr für den Trockner.

Wird der Trockner bei höheren Umgebungstemperaturen als der max. zulässigen Betriebstemperatur (wie in den Technischen Daten angegeben) betrieben, kann der Trockner beschädigt werden.



Die erforderliche Trocknungsleistung kann nur erreicht werden, wenn die festgelegten Betriebsbedingungen eingehalten werden.

Die Trocknungsleistung lässt nach und der erreichte Taupunkt sinkt, wenn der Trockner bei einem Druck unterhalb des Mindestarbeitsdrucks betrieben wird.



Bei einem längeren Betrieb des Kompressors steigt die Temperatur in unmittelbarer Nähe des Kompressors auf über 40 °C und der Kühlerlüfter schaltet sich automatisch ein. Wurde die Temperatur auf unter 32 °C abgekühlt, schaltet sich der Lüfterschalter wieder aus.

15. EINSCHALTEN DES KOMPRESSORS

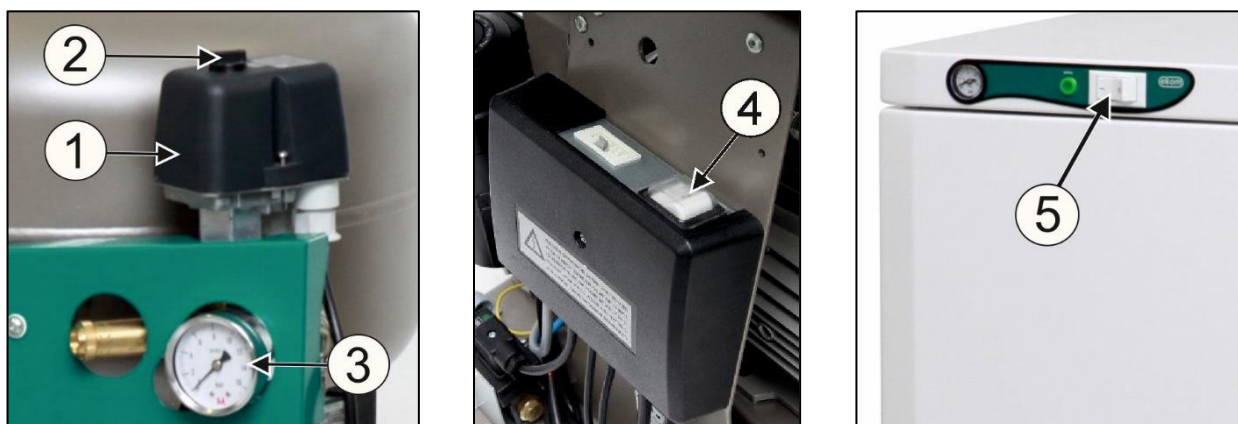
Starten Sie den Kompressor (ohne Gehäuse) am Druckschalter (1), indem Sie den Schalter (2) auf Position „I“ stellen. Dadurch wird der Kompressor gestartet und der Tank bis zum Ausschaltdruck gefüllt, wodurch der Kompressor abgeschaltet wird.

Starten Sie den Kompressor (mit Gehäuse) über den Schalter (5) an der Vorderseite des Gehäuses. Die Anzeige leuchtet grün. Dies startet den Kompressor und füllt den Tank bis zum Ausschaltdruck, was den Kompressor abschaltet.

Der Kompressor läuft im Automatikmodus und wird durch den Druckschalter basierend auf dem Druckluftverbrauch ein- und ausgeschaltet.

Kontrollieren Sie die Werte des Ein- und Ausschaltdrucks mithilfe des Druckmessers (3). Eine Toleranz von $\pm 10\%$ ist akzeptabel. Der Druck im Luftbehälter darf den zulässigen Betriebsdruck nicht überschreiten.

Abb. 15: Einschalten des Kompressors



- **Kompressor** – bei der ersten Inbetriebnahme befüllt der Kompressor den Druckluftbehälter bis zum Abschaltdruck und der Druckschalter schaltet den Kompressor aus. Der Kompressor läuft jetzt im Automatikmodus und wird durch den Druckschalter abhängig vom Druckluftverbrauch ein- und ausgeschaltet.
- **Kompressor mit Trockner** – der Kompressor läuft so, wie oben beschrieben, nur strömt die Druckluft hier durch den Kühler, um Feuchtigkeit aus der Druckluft zu entfernen



Beschädigungsgefahr für Pneumatikteile.

Der Druckschalter (1) wurde durch den Hersteller eingestellt. Eine weitere Einstellung darf nur durch einen qualifizierten Techniker vorgenommen werden, der durch den Hersteller geschult wurde.

16. AUSSCHALTEN DES KOMPRESSORS

- Das Ausschalten des Kompressors für Wartungsarbeiten oder aus anderen Gründen erfolgt über den Druckschalter (1), indem der Schalter (2) auf die Position „0“ (Abb. 15) gestellt und **der Netzstecker aus der Steckdose gezogen wird**. Damit wird der Kompressor von der Netzstromversorgung getrennt.
- Lassen Sie die Druckluft im Druckluftbehälter durch Öffnen des Ablassventils vollständig ab (Abb. 16).

PRODUKTWARTUNG

17. PRODUKTWARTUNG



Der Bediener muss die Geräte in den vorgeschriebenen Intervallen kontrollieren. Die Prüfergebnisse müssen aufgezeichnet werden.

Das Gerät wurde konstruiert und hergestellt, um den Wartungsaufwand gering zu halten. Führen Sie die folgenden Schritte aus, um den korrekten und zuverlässigen Betrieb des Kompressors sicherzustellen:



Die Instandhaltung durch Personen ohne die erforderliche Qualifikation birgt Risiken.

Reparaturen, die über eine normale Wartung hinausgehen (siehe Kapitel 17.1) dürfen nur durch einen qualifizierten Techniker (durch den Hersteller autorisiertes Unternehmen) oder durch den Kundendienst des Herstellers ausgeführt werden.

Normale Wartungsarbeiten (siehe Kapitel 17.1) dürfen nur durch einen geschulten Bediener ausgeführt werden.

Verwenden Sie ausschließlich vom Hersteller genehmigte Ersatzteile und Zubehörteile.



Verletzungsgefahr und Beschädigungsgefahr für das Gerät.

Folgende Schritte sind vor Beginn jeglicher Wartungsarbeiten auszuführen:

- **Überprüfen Sie, ob es möglich ist, den Kompressor von dem bereitgestellten System so zu trennen, dass keine Gefahr von Sachschäden oder Verletzungen für Personen besteht, die das jeweilige Gerät benutzen.**
- **Schalten Sie den Kompressor aus.**
- **Trennen sie ihn vom Stromnetz (Netzstecker ziehen).**
- **Lassen Sie die Druckluft aus dem Druckluftbehälter ab.**



Beim Ablassen der Druckluft besteht Verletzungsgefahr.

Schützen Sie Ihre Augen – tragen Sie eine Schutzbrille, wenn Sie Druckluft aus dem Druckluftsystem des Kompressors (Druckluftbehälter) ablassen.



Verbrennungsrisiko.

Pumpenkomponenten (Köpfe, Zylinder, Druckluftschlauch) sind während des Kompressorbetriebs und direkt danach sehr heiß – Komponenten nicht berühren!

Lassen Sie das Gerät vor Beginn von Wartungs- oder Servicearbeiten oder vor dem Anschließen an/Trennen von Druckluft abkühlen.



Der während der Servicearbeiten ausgebaute Erdungsleiter muss nach Beendigung der Arbeiten wieder an seiner ursprünglichen Position verbunden werden.

- Für Wartungs- oder Reparaturarbeiten kann der Kompressor aus dem Gehäuse herausgezogen werden (auf Lenkrollen und so weit, wie es das Kabel zwischen Kompressor und Schrank erlaubt; siehe auch Kap. 17). Danach können die erforderlichen Wartungs- oder Reparaturarbeiten durchgeführt werden.
- Löst sich das Kabel zwischen Kompressor und Gehäuse (durch Ziehen des Netzsteckers, siehe Kap. 12.2), funktioniert der Kompressor nicht mehr. Um den Kompressor wieder in Betrieb zu nehmen, befolgen Sie bitte die Anweisungen aus Kap. 12.2. oder 17.10 oder 17.11.

17.1. Wartungsintervalle

Zeitintervall ^{c)}	50 Hz		60 Hz		Einmal täglich	Einmal wöchentlich	Einmal jährlich	Alle 2 Jahre	Alle 6 Jahre	2000 Std	4000 Std	6000 Std	8000 Std	10000 Std	12000 Std	Kap.	Ersatzteil-Kit	Ausgeführt durch
	1600 Std	3200 Std	4800 Std	6400 Std														
Produktbetrieb überprüfen	x				x											17.2	-	Bediener
Kondensat aus Druckluftbehälter ablassen ^{b)} - Bei hoher Feuchtigkeit	x				x											17.5	-	Bediener
Kondensat aus Druckluftbehälter ablassen ^{b)} - Bei normaler Feuchtigkeit			x		x											17.5	-	Bediener
Produktfunktion überprüfen				x												8	-	Bediener
Auf Undichtigkeiten an den Druckluftanschlüssen überprüfen und					x											17.3	-	Qualifizierter Techniker
Elektrischen Anschluss überprüfen					x											17.4	-	Qualifizierter Techniker
Lüfter und Kühler überprüfen					x											17.9	-	Qualifizierter Techniker
Filterelement in Trocknerfilter austauschen ^{d)}					x											17.8	025200304-000	Qualifizierter Techniker
Sicherheitsventil überprüfen					x											17.6	-	Qualifizierter Techniker
Austausch des Ansaugfilters und Vorfilters DK50 PLUS ^{a)}					x					x			x			17.7	025200126-000	Qualifizierter Techniker
Austausch des Ansaugfilters und Vorfilters DK50 2V ^{a)}					x					x			x			17.7	025200139-000 025200150-000	Qualifizierter Techniker

^{a)} Daten werden in Stunden angegeben; falls nicht möglich, werden die Daten in Jahren angegeben

^{b)} Gilt für Kompressoren ohne Trockner

^{c)} Das Zeitintervall reduziert sich um 20 % für die Kompressormodelle mit 60 Hz (2000 Std./1600 Std., 4000 Std./3200 Std., 6000 Std./4800 Std., 8000 Std./6400 Std., 10000 Std./8000 Std., 12000 Std./9600 Std.)

^{d)} nur für Kompressoren mit Trockner

17.2. Produktbetrieb überprüfen

- Pumpenzustand prüfen – die Pumpen müssen normal, ohne übermäßige Schwingung oder Geräusentwicklung laufen. Suchen Sie bei negativen Prüfergebnissen die Ursache dafür oder rufen Sie einen Servicetechniker.
- Kontrollieren Sie die Lüfterfunktion (visuell) – die Lüfter müssen bei Pumpenbetrieb laufen. Suchen Sie bei negativen Prüfergebnissen nach der Ursache dafür oder rufen Sie einen Servicetechniker.
- Überprüfen Sie das Netzkabel und die Druckluftschläuche auf Unversehrtheit. Ersetzen Sie die beschädigten Teile oder rufen Sie einen Servicetechniker.
- Überprüfen Sie die Umgebungstemperatur – die Umgebungstemperatur muss unter der Temperaturobergrenze (40 °C) liegen. Ist die Temperatur höher, verbessern Sie die Kühlung im Raum.
- Bei Kompressoren mit Trockner – öffnen Sie den Stopfen am Kondensatsammelbehälter und lassen Sie das Kondensat ab

17.3. Auf Undichtigkeiten an den Druckluftanschlüssen überprüfen und Geräteinspektion

Dichtigkeitsprüfung

- Überprüfen Sie die Druckluftanschlüsse des Kompressors, wenn der Kompressor in Betrieb ist – Druckaufbau.
- Verwenden Sie ein Lecksuchgerät oder Seifenwasser, um alle Verbindungen auf Undichtigkeiten zu überprüfen. Verbindungen, an denen Undichtigkeiten festgestellt wurden, müssen festgezogen oder gelockert werden.

Geräteprüfung

- Überprüfen Sie den Zustand der Kompressorpumpe – reibungsloser Betrieb, angemessener Geräuschpegel.
- Überprüfen Sie die Lüfterfunktion – die Lüfter müssen in den festgelegten Zyklen des Kompressorbetriebs laufen.
- Überprüfen Sie die Funktion des Temperaturschalters (B2) – erwärmen Sie den Temperaturschalter auf mehr als 40 °C (z. B. mithilfe einer Heißluftpistole – Achtung, nicht bei hohen Temperaturen an Kunststoffteilen in der Nähe bedienen, dies kann zur Verformung von Kunststoffteilen führen). Der Lüfter E1, E3 schaltet ein, wenn die Temperatur 40 °C erreicht – der Kompressor muss unter Spannung stehen.
- Überprüfen Sie den Filterzustand – die Filter müssen unbeschädigt und ausreichend sauber sein.
- Überprüfen Sie den Zustand der Pumpe selbst und achten Sie darauf, dass weder Verschmutzungen noch Spiel im Kurbelwellengehäuse vorhanden sind.
- Ersetzen Sie bei Ausfällen alle defekten Teile.

17.4. Elektrische Anschlüsse überprüfen



Stromschlaggefahr.

Überprüfen Sie die elektrischen Anschlüsse am Gerät, nachdem dieses vom Netzstrom getrennt wurde.

- Überprüfen Sie die mechanische Funktion des Netzschalters.
- Überprüfen Sie das Netzkabel und die Stromleiter auf Unversehrtheit.

- Überprüfen Sie, ob die Kabel am Anschlusskasten angeschlossen sind (Sichtprüfung).
- Überprüfen Sie alle Schraubverbindungen der grün-gelben PE-Erdungsleiter.

17.5. Kondensatablauf



Bei einem Behälterüberlauf besteht Rutschgefahr auf nassem Boden.



Schalten Sie den Kompressor vor jedem Entleeren des Behälters aus!



Öffnen Sie das Ablassventil vorsichtig und langsam. Wird das Ablassventil zu weit geöffnet, ist ein sehr lauter Ton zu hören und das angesammelte Kondensat wird unkontrolliert ausgestoßen.

Kompressoren ohne Trockner

Im Normalbetrieb wird empfohlen, Kondensat aus dem Druckluftbehälter abzulassen.

- Schalten Sie den Kompressor über den Netzschalter aus und reduzieren Sie die Druckluft im Gerät auf max. 1 bar, durch Ablassen der Luft über das angeschlossene Gerät.
- Lösen Sie das Ablassventil aus den Klammern am Kompressorboden. Geben Sie das offene Ende des Schlauchs in einen geeigneten Behälter und öffnen Sie das Ablassventil (1), um das Kondensat aus dem Behälter abzulassen. Bei schrankmontierten Kompressormodellen kann das Kondensat außerhalb des Schrankes abgelassen werden.

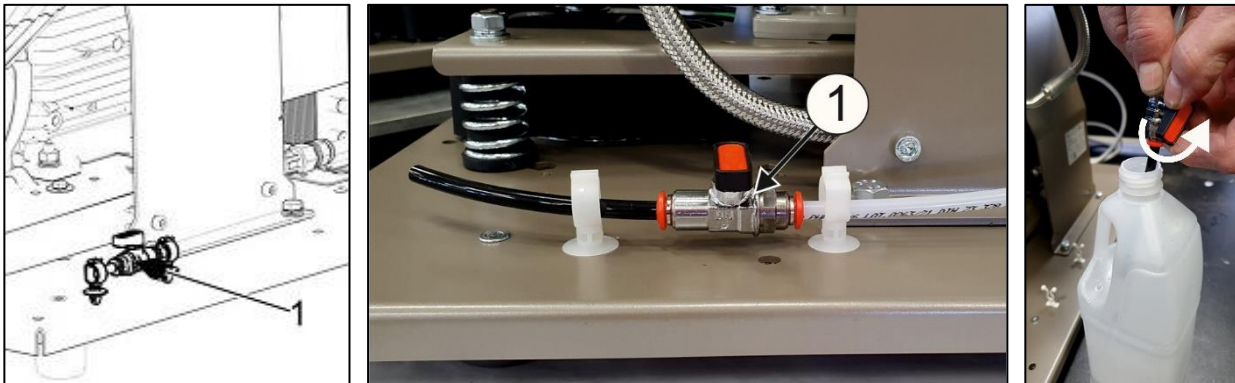


Abb. 16: Kondensatablauf aus dem Druckluftbehälter

- Kompressor können mit einem automatischen Kondensatablauf (AOK) ausgestattet werden, der den Ablauf von Kondensat aus dem Druckluftbehälter ermöglicht, ohne dass der Bediener tätig werden muss (siehe Kapitel Zubehör).

Kompressoren mit Lufttrocknern

Das Kondensat aus Kompressoren mit Lufttrocknern wird automatisch in den Sammelbehälter abgelassen.

- Überwachen Sie den Füllstand im Behälter mithilfe der 1-L- oder 2-L-Markierungen (je nach Fassungsvermögen des Behälters) und entleeren Sie den Behälter mindestens einmal täglich.



Abb. 17: Überprüfen des Kondensatauffangbehälter

Bei Bedarf kann der Luftbehälter über das Ablassventil (1) an der Unterseite des Luftbehälters entleert werden (Abb. 16).

Schalten Sie den Kompressor spannungsfrei und reduzieren Sie den Luftdruck im Gerät auf maximal 1 bar, z. B. durch Entlüften der angeschlossenen Geräte.

Verwenden Sie zum Ablassen einen Schlauch, dessen freies Ende in einen geeigneten Behälter gesteckt wird, und öffnen Sie dann das Ventil, um das Kondensat aus dem Tank abzulassen.

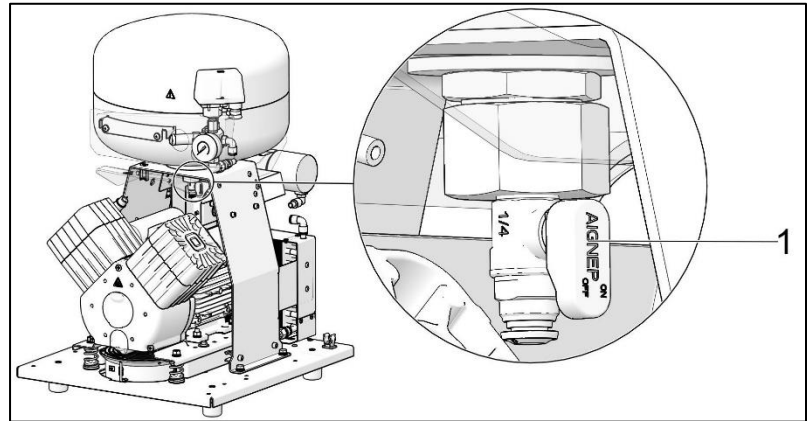


Abb. 16



Folgende Schritte sind vor den nachfolgenden Überprüfungen erforderlich:

- Entriegeln Sie bei im Gehäuse montierten Kompressoren (DK50 PLUS S, DK50 PLUS S/M, DK50 2V/S, DK50 2V S/M) das Türschloss und öffnen Sie die Gehäusetür.

17.6. Sicherheitsventil überprüfen

- Drehen Sie die Schraube (2) am Sicherheitsventil (1) mehrere Umdrehungen nach links, bis das Sicherheitsventil Luft ablässt.
- Das Sicherheitsventil einige Sekunden ausblasen lassen.
- Drehen Sie die Schraube (2) bis zum Anschlag nach rechts. Das Ventil muss jetzt geschlossen sein.

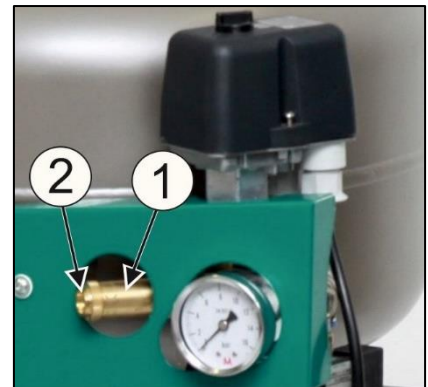


Abb. 18: Sicherheitsventil überprüfen



Bei beschädigtem Sicherheitsventil besteht das Risiko eines Druckanstiegs.

Das Sicherheitsventil darf nicht zum Druckablassen aus dem Druckbehälter genutzt werden. Das könnte die Funktion des Sicherheitsventils schädigen. Das Ventil wurde auf den maximal zulässigen Druck eingestellt, geprüft und gekennzeichnet.

Die Einstellungen des Sicherheitsventils dürfen nicht geändert werden.



Beim Ablassen von Druckluft besteht Verletzungsgefahr.

Schützen Sie Ihre Augen beim Überprüfen des Sicherheitsventils – tragen Sie eine Schutzbrille.

17.7. Austausch des Ansaugfilters und Vorfilters

Der Ansaugfilter (1) befindet sich im Kurbelwellengehäuse des Kompressors.

Austausch des Ansaugfilters:

- Ziehen Sie den Gummistopfen mit der Hand heraus (2).
- Entfernen Sie den gebrauchten Filter (1).
- Setzen Sie einen neuen Filter ein und setzen Sie den Gummistopfen wieder ein.

Austausch des Vorfilters:

- Ziehen Sie den Vorfilter mit der Hand heraus (3).
- Tauschen Sie das Element aus und setzen Sie es erneut ein.

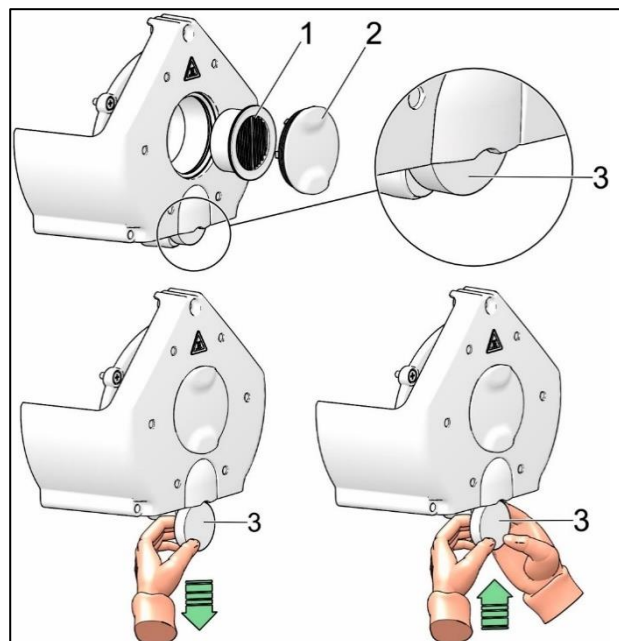
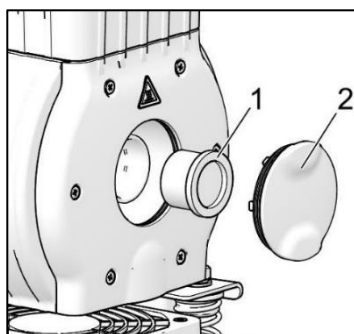
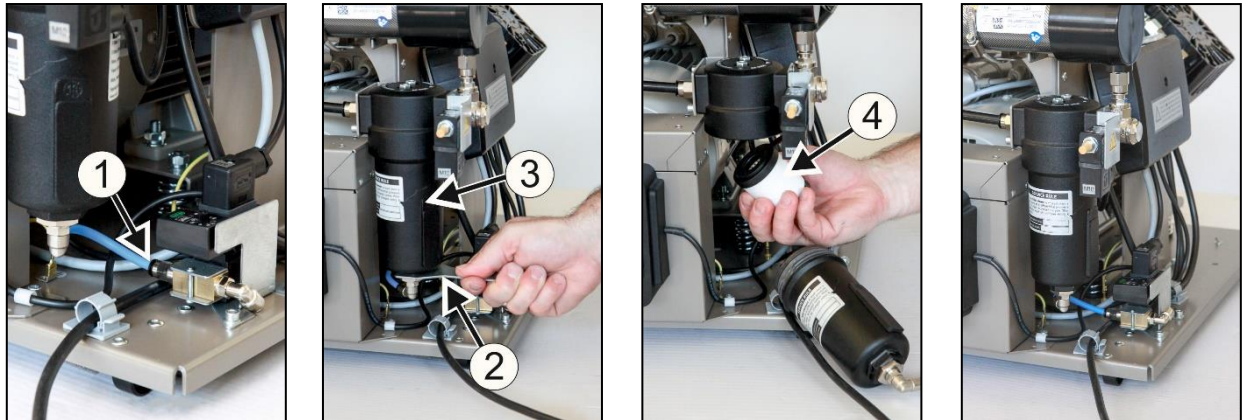


Abb. 19: Austausch des Ansaugfilters und Vorfilters

17.8. Austausch des Filterelements

- Entfernen Sie den Schlauch (1) aus der Schnellkupplung.
- Lösen Sie den Filterbecher (3) mithilfe eines Schraubenschlüssels und bauen Sie ihn aus.
- Bauen Sie das Filterelement (4) aus, indem Sie es nach unten ziehen.
- Setzen Sie ein neues Filterelement ein.
- Montieren Sie den Filterbecher.
- Ziehen Sie den Filterbecher leicht mit einem Schraubenschlüssel fest.
- Verbinden Sie den Schlauch wieder mit der Schnellkupplung.

Abb. 20: Austausch des Filterelements



17.9. Lüfter und Kühler überprüfen

Sind sauber zu halten (siehe Abb. 1, Abb. 2) – saugen oder blasen Sie die Kühlrippen und Lüfter mit Druckluft ab, um Staub von der Oberfläche zu entfernen.

17.10. Vorgehensweise zum Anschließen eines vom Schaltschrank getrennten Kompressors



Vor jeder Wartungs- oder Reparaturarbeit ist der Kompressor auszuschalten und durch Ziehen des Netzsteckers vom Stromnetz zu trennen.

Es ist notwendig, dass bei einem Kompressor (ohne Gehäuse) der Jumper immer an die Klemmleiste montiert wird, damit der ordnungsgemäße Betrieb gewährleistet ist (Abb. 21, Abb. 22, Pos. B). Dies ersetzt dann den Schalter am Gehäuse.



Befindet sich kein Jumper auf der Klemmleiste, funktioniert der Kompressor nicht!

Löst sich das Kabel zwischen Kompressor und Gehäuse (durch Ziehen des Netzsteckers) und wird der Kompressor aus dem Gehäuse entfernt, funktioniert der Kompressor nicht mehr. Aus diesem Grund muss zunächst eine Verbindung zur Klemmleiste mit einem Jumper hergestellt werden (dies ersetzt die Funktion des Trennschalters; Abb. 21, Abb. 22).

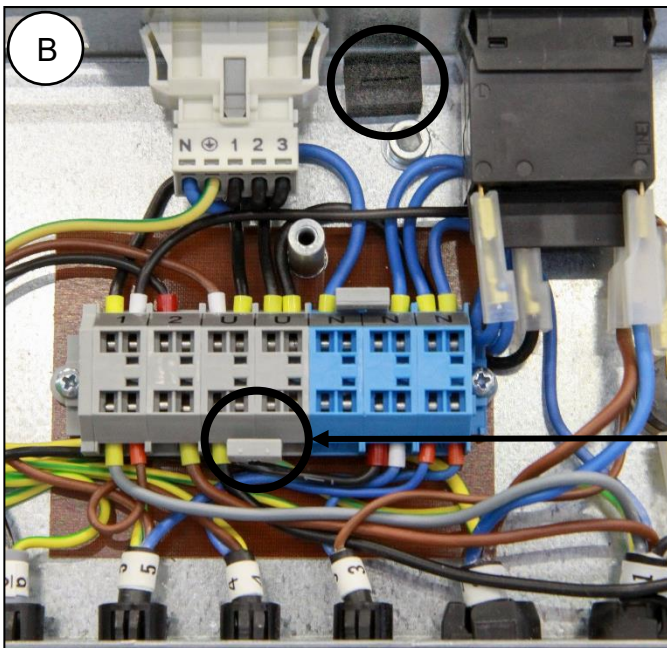
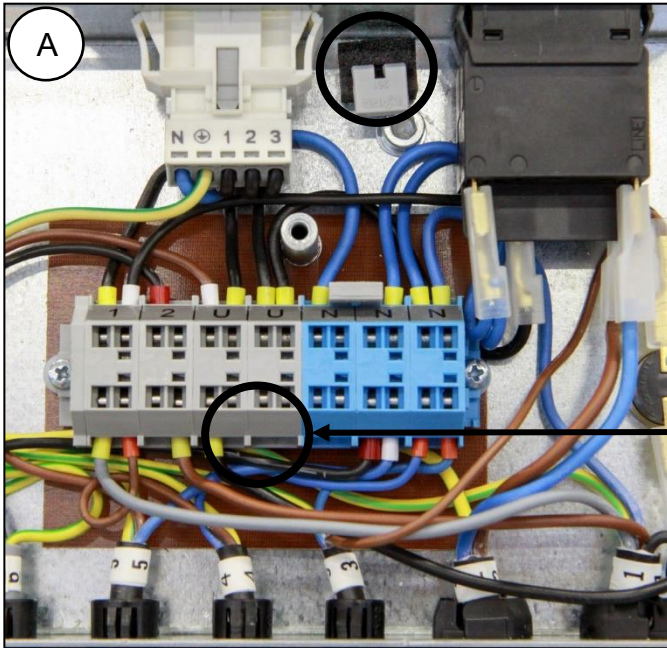
PROZESS:

Jumper-Installation (A-B Prozess):

- Trennen Sie das Gerät vom Stromnetz, indem Sie den Stecker aus der Steckdose ziehen.
- Entfernen Sie die Abdeckung von der Schalttafel (des Kompressors).
- Der Jumper befindet sich nicht auf der Klemmleiste – A
- Setzen Sie den Jumper in die Klemmleiste ein – B
- Bringen Sie die Abdeckung der Schalttafel wieder an.
- Schließen Sie das Gerät an das Stromnetz an.
- Aktivieren Sie den Kompressor, indem Sie den Schalter auf dem Druckschalter einschalten.

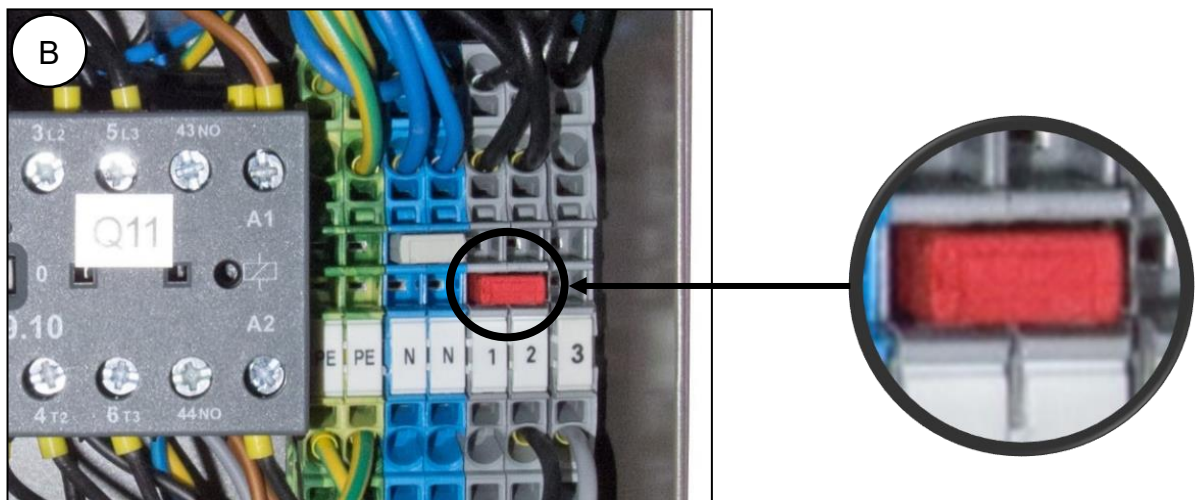
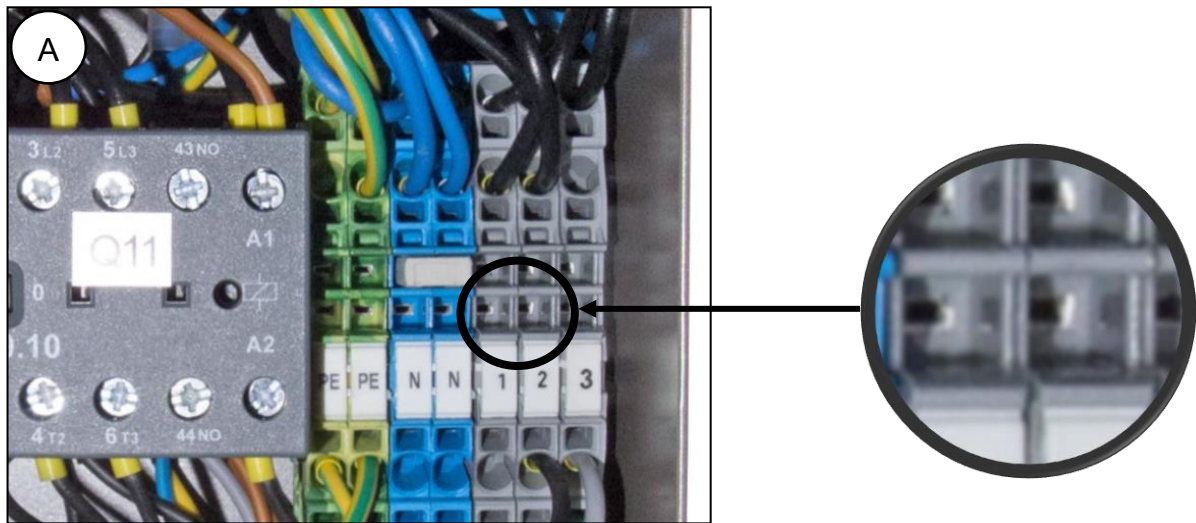
Kompressor – Bei einem Betrieb außerhalb des Schaltschranks **muss** die elektrische Verbindung mithilfe eines Jumpers hergestellt werden. (Abb. 21, Abb. 22, Pos. B)

Abb. 21



230V

Abb. 22



400V

17.11. Vorgehensweise zum Anschließen eines Kompressors an einen neuen Schaltschrank



Vor jeder Wartungs- oder Reparaturarbeit ist der Kompressor auszuschalten und durch Ziehen des Netzsteckers vom Stromnetz zu trennen.

Es ist notwendig, dass bei einem Kompressor (mit Gehäuse) der Jumper nicht an die Klemmleiste montiert wird, damit der ordnungsgemäße Betrieb gewährleistet ist (Abb. 21, Abb. 22, Pos. A). Der Schalter am Gehäuse schaltet das gesamte Gerät (einschließlich des Kompressors) ein und aus.



Wird der Jumper nicht von der Klemmleiste gelöst, funktioniert der Schalter am Kompressorgehäuse nicht!

Wenn ein neuer Schaltschrank an einen Kompressor angeschlossen werden soll, der zuvor separat gearbeitet hat (Kompressor ohne Gehäuse), muss die Verbindung auf der Klemmleiste unterbrochen werden; mehr zur konkreten Vorgehensweise erfahren Sie weiter unten Abb. 21, Abb. 22). (Siehe auch Kap. 12.1. und 12.2.)

PROZESS:

Entfernen des Jumpers (B-A Prozess):

- Trennen Sie das Gerät vom Stromnetz, indem Sie den Stecker aus der Steckdose ziehen.
- Entfernen Sie die Abdeckung von der Schalttafel (des Kompressors).
- Der Jumper befindet sich auf der Klemmleiste – B
- Entfernen Sie den Jumper von der Klemmleiste – A
- Bringen Sie die Abdeckung der Schalttafel wieder an.
- Setzen Sie den Kompressor in das Gehäuse ein.
- Verbinden Sie den Schaltschrank mit dem Kompressor, indem Sie den Stecker (1) des Netzkabels in die Steckdose (2) stecken. (Abb. 14)
- Schließen Sie das Gerät an das Stromnetz an
- Aktivieren Sie den Kompressor, indem Sie den Schalter auf dem Druckschalter und den Schalter (5) am Gehäuse einschalten (Abb. 15).

Kompressor mit Gehäuse – Beim Betrieb in einem Schaltschrank **darf keinerlei** elektrischer Anschluss vorhanden sein.

Hinweis: **Ein Jumper, der nicht auf der Klemmleiste installiert wurde, sollte, wenn ein Kompressor ohne Gehäuse verwendet wird oder wenn Wartungsarbeiten durchgeführt werden**, in einer Tasche in der Schalttafel aufbewahrt werden.

17.12. Reinigung von Produktaußenflächen

Zur Reinigung der Produktaußenflächen nur neutrale Mittel benutzen.



Anwendung von Alkohol und Chlorid enthaltenden aggressiven Reinigungsmitteln kann zur Produktoberflächenbeschädigungen und zur deren Verfärbung führen.

18. LANGFRISTIGE AUßERBETRIEBNAHME

Wird der Kompressor längere Zeit nicht genutzt, ist es empfehlenswert, das Kondensat aus dem Druckluftbehälter abzulassen und den Kompressor dann für 10 Minuten mit geöffnetem Kondensatablassventil (1) (Abb. 16) laufen zu lassen. Schalten Sie den Kompressor anschließend durch Betätigung des Schalters (2) auf dem Druckschalter (1) (Abb. 15) aus, schließen Sie das Ablassventil und trennen Sie das Gerät vom Stromnetz.

19. ENTSORGUNG DES GERÄTS

- Trennen Sie das Gerät von der Stromversorgung.
- Lassen Sie die Druckluft durch Öffnen des Ablassventils (1) (Abb. 16) aus dem Druckluftbehälter ab.
- Entsorgen Sie das Gerät gemäß den relevanten örtlichen Vorschriften.
- Beauftragen Sie ein entsprechendes Fachunternehmen mit der Abfalltrennung und -entsorgung.
- Die Produktkomponenten haben nach Ende ihrer Verwendungsdauer keine schädlichen Auswirkungen auf die Umwelt.

FEHLERBEHEBUNG



Stromschlaggefahr

Trennen Sie das Gerät von der Stromversorgung (Netzstecker ziehen), bevor Sie eine der folgenden Arbeiten am Gerät ausführen.



Bei Arbeiten an den Druckluftkomponenten unter Druck besteht Verletzungsgefahr.

Bevor Sie eine der folgenden Arbeiten am Gerät ausführen, reduzieren Sie den Druck im Druckluftbehälter und im Pneumatiksystem auf null.



Alle Arbeiten, um Fehler und Störungen zu beheben, dürfen nur durch einen qualifizierten Techniker ausgeführt werden.

Störung	Mögliche Ursache	Lösung
Kompressor schaltet nicht ein	Keine Spannung am Druckschalter	Spannung an der Steckdose überprüfen
		Trennschalter überprüfen – Auf die Position EIN „I“ stellen
		Lose Klemme an der Klemmleiste – festziehen
		Stromkabel überprüfen – defektes Kabel ersetzen
	Unterbrechung der Motorwicklung, Wärmeschutz beschädigt	Motor oder Wicklungen ersetzen
Der Gehäuseschalter schaltet den Kompressor nicht aus	Kondensator defekt	Kondensator wechseln
	Festsitzen des Kolbens oder eines anderen rotierenden Teils	Beschädigte Komponenten auswechseln
	Der Druckschalter funktioniert nicht	Funktion des Druckschalters überprüfen
	Im Schaltschrank befindet sich ein Kompressor, der zuvor separat gearbeitet hat (auf der Klemmleiste des Kompressors befindet sich ein Jumper).	Entfernen Sie den Jumper von der Klemmleiste, siehe Kap. 17.11
	Kompressor schaltet häufig ein	Luftaustritt im Pneumatiksystem
Undichtes Rückschlagventil		Rückschlagventil reinigen, Dichtungen austauschen, Rückschlagventil austauschen
Hohe Mengen kondensierter Flüssigkeit im Druckluftbehälter		Kondensierte Flüssigkeit ablassen
Niedrige Kompressorkapazität		Befüllungszeit des Druckluftbehälters überprüfen
Niedriger Druck im Druckluftbehälter (Kompressor läuft durchgängig)	Hoher Druckluftverbrauch des versorgten Systems	Druckluftverbrauch senken Kompressor mit höherer Kapazität verwenden
	Luftaustritt im Pneumatiksystem	Pneumatiksystem überprüfen – lose Verbindungen festziehen

	Niedrige Pumpenkapazität	Pumpe reinigen oder austauschen
	Pumpenstörung	Pumpe reinigen oder austauschen
	Trocknerstörung	Trockner austauschen
Betrieb des Kompressors über einen längeren Zeitraum	Luftaustritt im Pneumatiksystem	Pneumatiksystem überprüfen – lose Verbindungen festziehen
	Kolbenring verschlissen	Verschlissenen Kolbenring ersetzen
	Ansaugfilter verschmutzt	Verschmutzten Filter durch neuen Filter ersetzen
	Falsche Funktion des Magnetventils	Lüfter oder Spule reparieren oder austauschen
Kompressor ist laut (Klopfen, Metallgeräusche)	Schäden an Kolbenlager, Kolbenstange, Motorlager	Beschädigtes Lager ersetzen
	Loses (beschädigtes) Dämpferelement (Feder)	Beschädigte Feder auswechseln
Trockner trocknet nicht (Kondenswasser in der Luft)*	Kühlerlüfter defekt	Lüfter austauschen Stromquelle kontrollieren
	Beschädigter Trockner	Trockner austauschen
	Automatischer Kondensatablauf defekt	Reinigen/Austauschen

)* Innenflächen des Luftbehälters gründlich reinigen und die kondensierte Flüssigkeit nach einer Trocknerstörung komplett entfernen.



Um die angeschlossenen Geräte vor Schäden zu bewahren, ist es erforderlich, die Feuchtigkeit der ausgetretenen Luft aus dem Druckluftbehälter zu prüfen (siehe Kapitel technische Daten).

20. INFORMATIONEN ZU REPARATURBETRIEBEN

Reparaturen während des Garantiezeitraums oder danach werden durch den Hersteller ausgeführt bzw. durch Unternehmen und Techniker, die vom Hersteller eine Genehmigung erhalten haben.

Warnung.

Der Hersteller behält sich das Recht vor, Änderungen am Gerät vorzunehmen, die die Geräteeigenschaften nicht maßgeblich beeinflussen.

OBSAH

VŠEOBECNÉ INFORMÁCIE	100
1. ZHODA S POŽIADAVKAMI SMERNÍC EURÓPSKEJ ÚNIE.....	100
2. POUŽITÉ SYMBOLY	100
3. POUŽITIE ZARIADENIA	101
4. ZÁKLADNÉ BEZPEČNOSTNÉ POKYNY.....	102
5. SKLADOVACIE A PREPRAVNÉ PODMIENKY.....	103
POPIS VÝROBKU	104
6. VARIANTY	104
7. DOPLNKOVÉ VYBAVENIE.....	104
8. FUNKCIA VÝROBKU	106
TECHNICKÉ ÚDAJE	110
INŠTALÁCIA	115
9. INŠTALAČNÉ PODMIENKY	115
10. ZOSTAVENIE KOMPRESORA.....	115
11. PNEUMATICKÉ PRIPOJENIE	119
12. ELEKTRICKÉ ZAPOJENIE	121
13. PRVÉ UVEDENIE DO PREVÁDZKY	122
14. PNEUMATICKÉ A ELEKTRICKÉ SCHÉMY	123
OBSLUHA	131
15. ZAPNUTIE KOMPRESORA.....	132
16. VYPNUTIE KOMPRESORA.....	132
ÚDRŽBA VÝROBKU	133
17. ÚDRŽBA VÝROBKU	133
18. ODSTAVENIE	142
19. LIKVIDÁCIA PRÍSTROJA.....	142
VYHĽADÁVANIE PORÚCH A ICH ODSTRÁNENIE	143
20. INFORMÁCIE O OPRAVÁRENSKEJ SLUŽBE	144

VŠEOBECNÉ INFORMÁCIE

Návod na použitie si pred použitím výrobku starostlivo prečítajte a uschovajte. Návod na použitie slúži na správne používanie - inštaláciu, obsluhu a údržbu výrobku.

Návod na použitie zodpovedá pri tlači vyhotoveniu výrobku a stavu podľa príslušných bezpečnostno-technických noriem. Výrobca si vyhradzuje všetky práva na ochranu pre uvedené zapojenia, postupy a názvy.

Slovenská verzia predstavuje originál návodu na použitie. Preklad návodu na použitie je vykonaný v súlade s najlepšimi znalosťami. V prípade nejasností platí slovenská verzia textu.

Návod na použitie je pôvodný, preklad je vykonaný v súlade s najlepšimi znalosťami.

1. ZHODA S POŽIADAVKAMI SMERNÍC EURÓPSKEJ ÚNIE

Tento výrobok je v zhode s požiadavkami smerníc Európskej únie 2006/42/EC, 2014/29/EU, 2014/35/EU, 2014/30/EU, 2011/65/EU a je bezpečný pri použití v súlade so zamýšľaným použitím a dodržaní všetkých bezpečnostných pokynov.

Návod na použitie je vypracovaný v súlade s požiadavkami smernice 2006/42/EC.

2. POUŽITÉ SYMBOLY

V návode na použitie, na výrobku a balení sa používajú nasledujúce značky a symboly:



Všeobecná výstraha



Výstraha - nebezpečenstvo zásahu elektrickým prúdom



Výstraha - kompresor je ovládaný automaticky



Výstraha - horúci povrch



Všeobecné upozornenie



Dodržiavaj návod na použitie



Pozri návod na použitie



CE – označenie











Sériové číslo



Artiklové číslo



Pripojenie ochranného vodiča

	Svorka pre ekvipotenciálne pospojovanie
	Manipulačná značka na obale – krehké
	Manipulačná značka na obale – týmto smerom nahor
	Manipulačná značka na obale – chrániť pred dažďom
	Manipulačná značka na obale – teplotné medze
	Manipulačná značka na obale – obmedzené stohovanie
	Značka na obale – recyklovateľný materiál
	Výrobca

3. POUŽITIE ZARIADENIA

3.1. Zamýšľané použitie

Kompresor slúži ako zdroj čistého bezolejového stlačeného vzduchu pre použitie v priemysle a laboratóriách, kde stlačený vzduch vyhovuje svojimi parametrami a vlastnosťami.

Kompresor je určený výhradne na stláčanie vzduchu bez obsahu výbušných alebo chemicky nestabilných látok.

Kompresor je určený na prevádzku v čistých a suchých priestoroch.

3.2. Nesprávne použitie



Nebezpečenstvo kontaminácie.

Vzduch z kompresora nie je bez ďalšej úpravy vhodný na dýchanie a priamy kontakt s potravinami.



Nebezpečenstvo výbuchu.

Výrobok nie je určený na prevádzku v priestoroch, v ktorých hrozí nebezpečenstvo výbuchu.

Kompresor nesmie byť použitý na stláčanie agresívnych plynov.

Kompresor nesmie byť prevádzkovaný v priestoroch s výskytom horľavých pár.

Kompresor nesmie byť prevádzkovaný v iných podmienkach, ako je uvedené v Technických údajoch.

Akékoľvek použitie výrobku nad rámec zamýšľaného použitia sa považuje za nesprávne použitie. Výrobca nenesie zodpovednosť za akékoľvek škody alebo zranenia v dôsledku nesprávneho použitia alebo nerešpektovania pokynov uvedených v tomto návode na použitie. Riziko znáša výlučne prevádzkovateľ / používateľ.

4. ZÁKLADNÉ BEZPEČNOSTNÉ POKYNY

Výrobok je navrhnutý a vyrobený tak, aby boli minimalizované akékoľvek riziká spojené s jeho použitím a výrobok bol bezpečný pre používateľa aj pre okolie pri používaní podľa zamýšľaného použitia a dodržaní nasledujúcich pokynov.

4.1. Požadovaná kvalifikácia personálu

- Každý používateľ musí byť zaškolený výrobcom alebo organizáciou poverenou výrobcom, prípadne oboznámený s obsluhou zariadenia iným zaškoleným používateľom.
- Inštaláciu, nové nastavenia, zmeny, rozšírenia a opravy výrobku smie vykonávať len výrobca alebo organizácia poverená výrobcom (ďalej kvalifikovaný odborník).
- V opačnom prípade výrobca nenesie zodpovednosť za bezpečnosť, spoľahlivosť a správnu funkciu výrobku.

4.2. Všeobecné pokyny

- Pri prevádzke výrobku je potrebné rešpektovať zákony a regionálne predpisy platné v mieste používania. Za dodržiavanie predpisov je zodpovedný prevádzkovateľ a používateľ.
- Pred každým použitím výrobku je potrebné, aby sa používateľ presvedčil o jeho riadnej funkcii a bezpečnom stave. Pred zabudovaním kompresora do iných zariadení musí dodávateľ posúdiť, či dodávaný vzduch a konštrukcia zariadenia vyhovuje požiadavkám daného účelu použitia. Rešpektujte s týmto zreteľom technické údaje výrobku. Hodnotenie zhody má pri zabudovaní vykonávať výrobca - dodávateľ konečného výrobku.

4.3. Ochrana pred nebezpečným napätím a tlakom

- Zariadenie môže byť pripojené iba na správne namontovanú zásuvku s ochranným pripojením.
- Pred pripojením výrobku sa musí skontrolovať, či sú sieťové napätie a sieťový kmitočet uvedené na výrobku v súlade s hodnotami napájacej siete.
- Pred uvedením výrobku do prevádzky treba skontrolovať prípadné poškodenia pripájaných pneumatických a elektrických rozvodov. Poškodené pneumatické a elektrické vedenia sa musia ihneď vymeniť.
- Pri nebezpečných situáciách alebo technických poruchách je potrebné výrobok ihneď odpojiť zo siete (vytiahnuť sieťovú vidlicu).
- Poistný ventil sa nesmie prestavovať a používať na odtlakovanie vzdušníka.

4.4. Originálne náhradné diely a príslušenstvo

- Bezpečnosť obsluhujúceho personálu a bezporuchová prevádzka výrobku sú zaručené len pri používaní originálnych častí výrobku. Používať sa smie len príslušenstvo a náhradné diely uvedené v technickej dokumentácii alebo vyslovene povolené výrobcom.
- Na škody, ktoré vznikli používaním iného príslušenstva a náhradných dielov ako predpisuje alebo odporúča výrobca, sa záruka nevzťahuje a výrobca za ne nenesie zodpovednosť.

5. SKLADOVACIE A PREPRAVNÉ PODMIENKY

Kompresor sa od výrobcu zasiela v prepravnom obale. Tým je výrobok zabezpečený pred poškodením pri preprave.



Nebezpečenstvo poškodenia pneumatických častí.

Kompresor sa smie prepravovať len bez tlaku. Pred prepravou nevyhnutne vypustiť tlak vzduchu z tlakovej nádrže a tlakových hadíc a vypustiť kondenzát zo vzdušníka.



Originálny obal uschovať pre prípadné vrátenie zariadenia Pri preprave používať podľa možnosti vždy originálny obal kompresora pre optimálnu ochranu výrobku. Ak bude počas záručnej lehoty potrebné výrobok vrátiť, výrobca neručí za škody spôsobené nesprávnym zabalením výrobku.



Kompresor prepravovať nastojato, vždy zaistený prepravným fixovaním.



Počas prepravy a skladovania chrániť kompresor pred vysokou vlhkosťou, nečistotou a extrémnymi teplotami. Neskladovať v priestoroch spolu s prchavými chemickými látkami.



Ak nie je uschovanie originálneho obalu možné, zlikvidujte ho šetrne k životnému prostrediu. Prepravný kartón sa môže vyhodiť so starým papierom.



Zariadenie je zakázané skladovať a prepravovať mimo definovaných podmienok, pozri nižšie.

5.1. Podmienky okolia

Výrobky je možné skladovať v priestoroch a dopravných prostriedkoch bez stôp prchavých chemických látok pri nasledujúcich klimatických podmienkach:

Teplota	–25°C až +55°C, do 24h až +70°C
Relatívna vlhkosť	max. 90% (bez kondenzácie)

POPIS VÝROBKU**6. VARIANTY**

Kompresor sa vyrába podľa účelu v týchto variantoch:

DK50 PLUS	kompresor na základni na samostatné ustavenie v miestnosti
DK50 PLUS/M	kompresor na základni so sušičom vzduchu
DK50 PLUS S	kompresor v skrinke s účinným tlmením hluku pre umiestnenie v ordinácii
DK50 PLUS S/M	kompresor v skrinke so sušičom vzduchu
DK50 2V	kompresor na základni na samostatné ustavenie v miestnosti
DK50 2V/M	kompresor na základni so sušičom vzduchu
DK50 2V S	kompresor v skrinke s účinným tlmením hluku pre umiestnenie v ordinácii
DK50 2V S/M	kompresor v skrinke so sušičom vzduchu

**DK50 PLUS****DK50 2V****DK50 PLUS S
DK50 2V S****7. DOPLNKOVÉ VYBAVENIE**

Doplňkové vybavenie nie je predmetom základnej dodávky, je potrebné objednať ho osobitne.

Automatický odvod kondenzátu

Automatický odvod kondenzátu (AOK) zabezpečuje automatické vypúšťanie skondensovanej kvapaliny v nastavenom časovom intervale zo vzdušníka kompresora. AOK je výhodné doplniť ku kompresoru bez sušiča

Typ	Použitie	Artiklové číslo
AOK11	DK50 PLUS, DK50 2V	44700001-047

Sada filtrov výstupného stlačeného vzduchu

Kompresor môže byť vybavený sadou filtrov podľa požiadavky. Filtračná sada môže byť doplnená o regulátor tlaku vzduchu.



V prípade požiadavky na iný stupeň filtrácie vzduchu je treba túto požiadavku dohodnúť s dodávateľom a špecifikovať v objednávke.

Typ	Použitie	Stupeň filtrácie / μ m/	Artiklové číslo
FS 30F	DK50 PLUS	1	604014119-014
FS 30M	DK50 PLUS/M	1+0,1	604014119-015
FS 30S	DK50 2V	1+0,01	604014119-017
FS 30A	DK50 2V/M	1+0,01+A**	604014119-018

**) A – submikrofilter s aktívnym uhlím

Sada regulátora k filtračným sadám

Kompresor môže byť vybavený sadou regulátora tlaku výstupného stlačeného vzduchu podľa požiadavky. Regulátor je potrebné si vybrať podľa použitia k filtračnej sade, alebo samostatne. Regulátor zabezpečí konštantný tlak na výstupe z kompresora.

Typ	Použitie	Artiklové číslo
Regulátor komplet (k filtračnej sade)	DK50 PLUS, DK50 PLUS/M	604014130-000
REG11 (samostatný)	DK50 2V, DK50 2V/M	447000001-077

Držiak k filtračným sadám



Ku každej sade je potrebné doobjednať vhodný držiak.

Typ	Použitie	Artiklové číslo
Držiak na kompresor	DK50 PLUS, DK50 PLUS/M DK50 2V, DK50 2V/M	603014134-000

Kondenzačná a filtračná jednotka

Kompresor môže byť dodatočne vybavený aj kondenzačnou a filtračnou jednotkou (KJF-1, KJF-2 alebo KJFR-1).

KJF-1, KJF-2 alebo KJFR-1 zabezpečí, že stlačený vzduch zo vzdušníka je ochladený v chladiči a vo filtri zachytí skondenzovanú kvapalinu, ktorú automaticky odlúči mimo pneumatického rozvodu. Stlačený vzduch je súčasne filtrovaný.

Typ	Použitie	Stupeň filtrácie / μ m/	Regulátor tlaku	Artiklové číslo
KJF-1	DK50 PLUS	5	nie	450001011-001
KJFR-1			áno	450001011-002
KJF-2	DK50 2V		nie	450001021-001

Zásuvka pre ekvipotencionálne pospojovanie

Zásuvka umožňuje ochranné pospojovanie.

Typ	Použitie	Názov	Artiklové číslo
POAG-KBT6-EC	DK50 PLUS S	Zásuvka	033400075-000
FLEXI-S/POAG-HK6	DK50 PLUS S/M DK50 2VS, DK50 2VS/M	Vodič (1 m)	034110083-000

8. FUNKCIA VÝROBKU

8.1. Kompresor

Obr. 1 Agregát kompresora (1) nasáva atmosférický vzduch cez vstupný filter (8) a stláča ho cez spätný ventil (3) do vzdušníka (2) a spotrebič odoberá stlačený vzduch zo vzdušníka. Ak klesne tlak vo vzdušníku na zapínací tlak, tlakový spínač (4) zapne kompresor a kompresor stláča vzduch do vzdušníka až po vypínací tlak, kedy sa vypne kompresor. Po vypnutí kompresorového agregátu sa odvzdušní tlaková hadica cez odľahčovací solenoidný ventil (13). Poistný ventil (5) zamedzuje prekročeniu tlaku vo vzdušníku nad maximálnu povolenú hodnotu. Vypúšťacím ventilom (7) sa vypúšťa kondenzát zo vzdušníka. Stlačený a čistý vzduch bez stôp oleja je vo vzdušníku pripravený na ďalšie použitie.

Zo vzdušníka je potrebné v predpísaných intervaloch vypúšťať skondenzovanú kvapalinu (pozri kap. 17.1).

8.2. Kompresor s membránovým sušičom

Obr. 2 Agregát kompresora (1) nasáva atmosférický vzduch cez vstupný filter (8) a stlačený ho dodáva chladičom (14) cez filter (15), spätný ventil (3) do sušiča (9), vysušený a čistý do vzdušníka (2). Časť vzduchu odchádza mimo sušiča spolu so zachytenou vlhkosťou, čo sa prejaví ako jemné prúdenie vzduchu popri telese sušiča (9). Kondenzát z filtra je automaticky v intervaloch vypúšťaný do fľaše pomocou solenoidného ventilu odvodu kondenzátu (16). Sušič zabezpečí kontinuálne sušenie stlačeného vzduchu. Vypúšťacím ventilom (7), sa vypúšťa kondenzát zo vzdušníka v prípade kontroly sušenia. Stlačený, suchý a čistý vzduch bez stôp oleja je vo vzdušníku pripravený na ďalšie použitie.

Pre optimálnu prevádzku membránového sušiča je sušič spojený so vzdušníkom priamo, bez spätného ventilu. Keďže membránový sušič obsahuje vlákna so selektívnou membránou, dochádza cez ne k malému úniku vzduchu (približne 0,5 bar/30min).

Preto postupný pomalý pokles tlaku je prítomný aj v stave bez odberu vzduchu z kompresora (zo vzdušníka) a nepredstavuje poruchu.

Tlakovú nádobu nie je potrebné odkalovať.

8.3. Skrinka kompresora

Obr. 3 Skrinka zabezpečuje kompaktné prekrytie kompresora, čím účinne tlmí hluk, pričom zabezpečuje dostatočnú výmenu chladiaceho vzduchu. Svojím dizajnom je vhodná na umiestnenie v ordinácii ako súčasť nábytku. Ventilátor pod agregátom kompresora zabezpečuje chladenie kompresora, je v činnosti súčasne s motorom kompresora alebo po zapnutí teplotného spínača pri teplote vyššej ako 40 °C. Po vychladení priestoru v skrinke pod cca 32 °C sa ventilátory automaticky vypnú.

Dvere skrinky s pravým otváraním je možné zmeniť na otváranie vľavo (pozri kap. 10.2)



Nebezpečenstvo prehriatia kompresora.

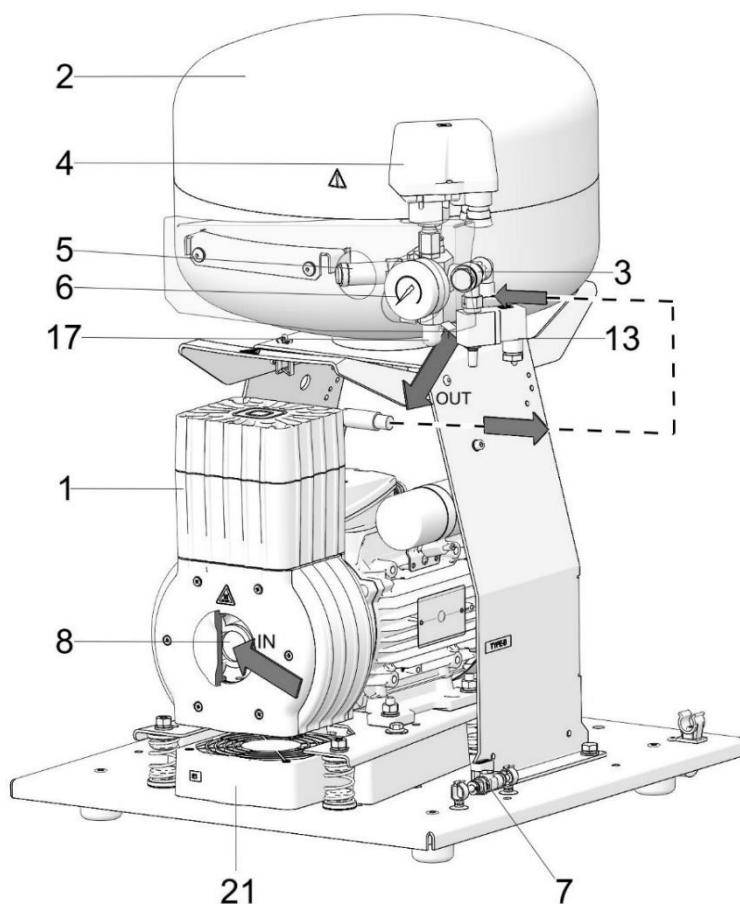
Je zakázané vytvárať prekážky na vstupe chladiaceho vzduchu do skrinky (po obvode spodnej časti skrinky) a na výstupe teplého vzduchu v hornej zadnej časti skrinky.

V prípade umiestnenia kompresora na mäkkú podlahu, napr. koberec, je nutné vytvoriť medzeru medzi základňou a podlahou alebo skrinkou a podlahou, napr. podloženie pätiiek tvrdými podložkami z dôvodu zabezpečenia dostatočného chladenia kompresora.

Na kompresore v prevedení 8-10bar je osadené počítadlo hodín.

Obr. 1: DK50 PLUS – Kompresor

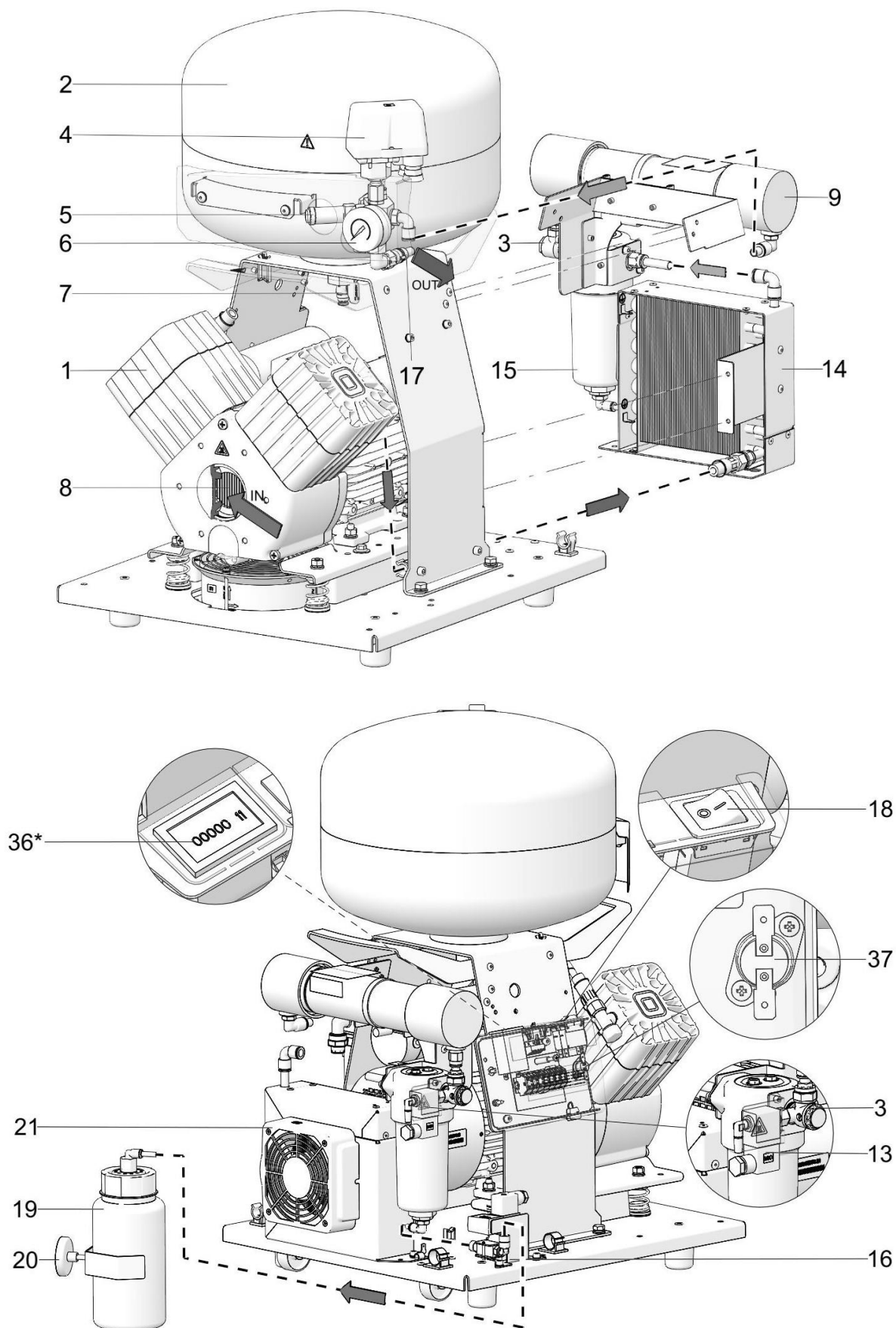
Popis k obrázkom 1 - 3



- 1 Agregát kompresora
- 2 Vzdušník
- 3 Spätný ventil
- 4 Tlakový spínač
- 5 Poistný ventil
- 6 Tlakomer
- 7 Vypúšťací ventil
- 8 Vstupný filter
- 9 Sušič
- 10 -
- 11 -
- 12 -
- 13 Solenoidný ventil
- 14 Chladič sušiča
- 15 Filter
- 16 Solenoidný ventil odvodu kondenzátu
- 17 Výstup vzduchu
- 18 Istiaci vypínač
- 19 Nádobka na zber kondenzátu
- 20 Magnetický držiak
- 21 Ventilátor
- 22 Ventilátor skrinky
- 23 Kolík dverový
- 24 Rektifikačná skrutka
- 25 Zámok
- 26 Spojovacia výstuha
- 27 Doraz stenový
- 28 Vypínač
- 29 Manometer
- 30 Dverový pánt
- 31 Rukoväť
- 32 Kolieska
- 33 Hadička manometra
- 34 Zásuvka
- 35 Konektor so šnúrou
- 36 *Počítadlo hodín
- 37 Termostat

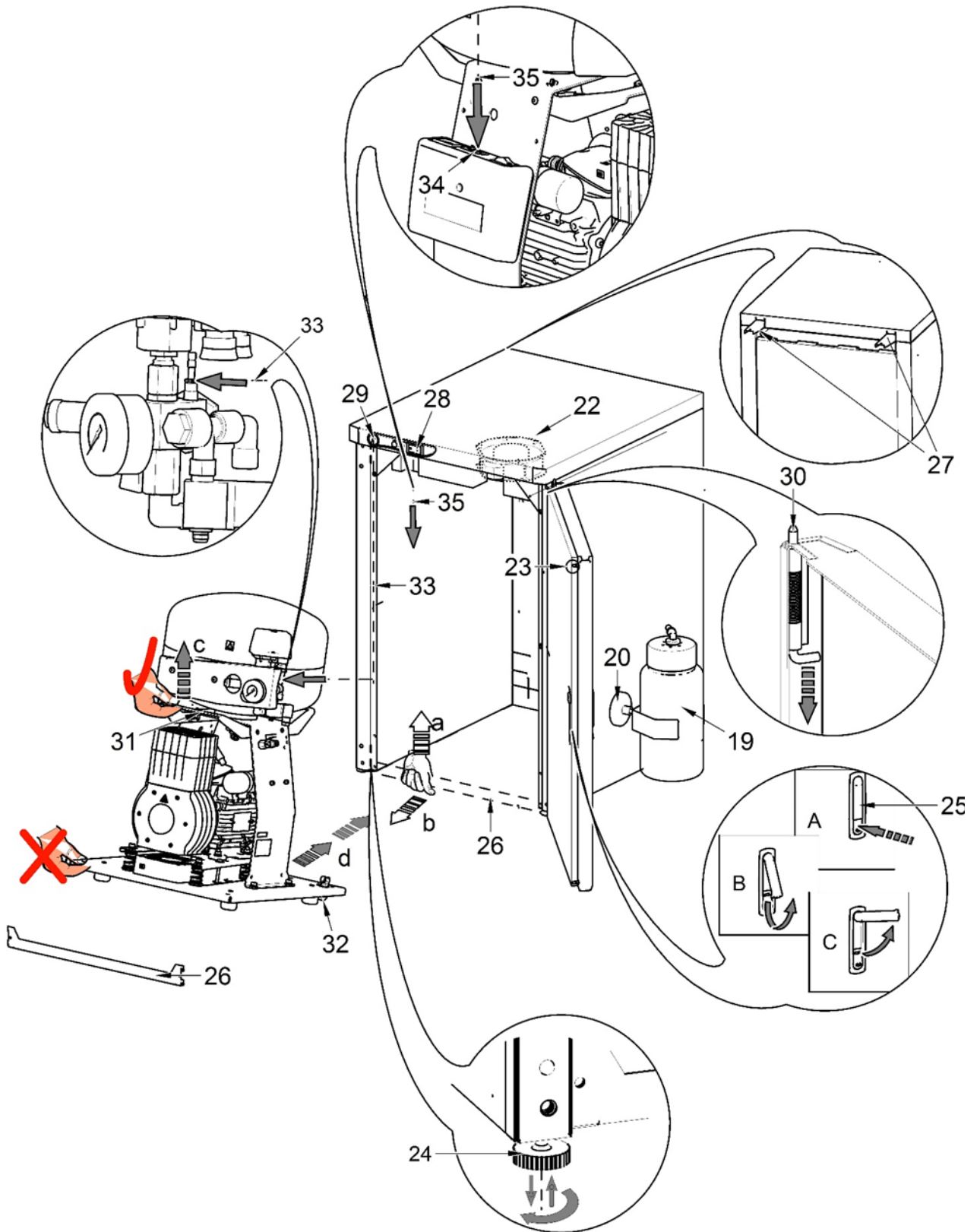
* Počítadlo hodín montované len pre prevedenie 8-10bar.

Obr. 2: DK50 2V/M – Kompresor so sušičom MD



* Počítadlo hodín montované len pre prevedenie 8-10bar.

Obr. 3: – Skrinka



TECHNICKÉ ÚDAJE

Kompresory sú konštruované pre prevádzku v suchých, vetraných a bezprašných vnútorných priestoroch pri nasledujúcich klimatických podmienkach:

Teplota

+5°C až +40°C

Relatívna vlhkosť

max. 70%

Pracovný tlak 6 – 8 bar		DK50 PLUS		DK50PLUS S		DK50 PLUS/M		DK50 PLUS S/M	
Menovité napätie Frekvencia ^{a)}	V, Hz	230, 50/60	115, 60	230, 50/60	115, 60	230, 50/60	115, 60	230, 50/60	115, 60
Výkonnosť pri pretlaku 6 bar (FAD)	l/min	70/80	80	70/80	80	60/70	70	60/70	70
Pracovný tlak ^{b)}	bar	6,0 – 8,0		6,0 – 8,0		6,0 – 8,0		6,0 – 8,0	
Prúd max.	A	5,1/5,4	9,8	5,2/5,5	10,0	5,3/5,6	10,0	5,4/5,7	10,2
Výkon motora	kW	0,55		0,55		0,55		0,55	
Objem vzdušníka	l	25		25		25		25	
Kvalita vzduchu – filtrácia	µm	-		-		0,1		0,1	
Povolený prevádzkový tlak poistného ventilu	bar	9,0/11,0 ^{d)}		9,0/11,0 ^{d)}		9,0/11,0 ^{d)}		9,0/11,0 ^{d)}	
Hladina zvuku pri pretlaku 5 bar (L _{pA}) ^{e)}	dB	≤ 65/67	≤ 67	≤ 47/50	≤ 50	≤ 65/67	≤ 67	≤ 47/50	≤ 50
Režim prevádzky	%	S1-100		S1-100		S1-100		S1-100	
Stupeň sušenia - PDP pri 7 bar	°C	-		-		≤+3		≤+3	
Čas naplnenia vzdušníka z 0 do 7 bar	s	150/125	125	150/125	125	175/150	150	175/150	150
Rozmery (netto) š x h x v	mm	460x500x708		560x675x877		460x565x708		560x675x877	
Hmotnosť netto ^{c)}	kg	48		87		53		92	

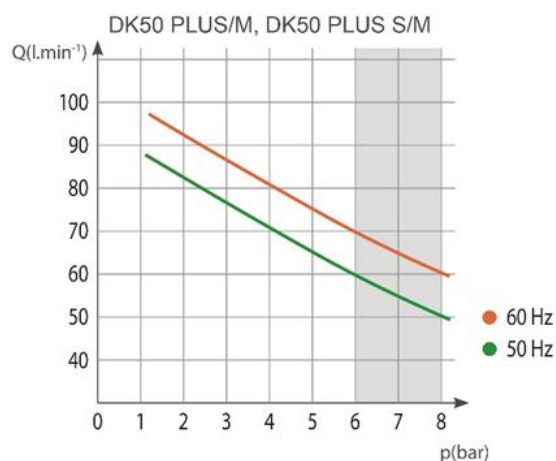
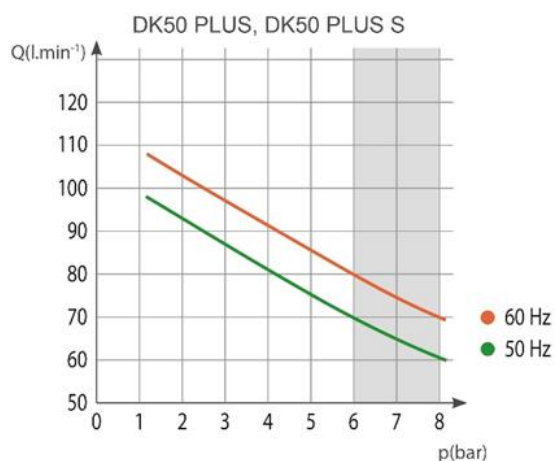
^{a)} Prevedenie kompresora uviesť pri objednávaní

^{b)} Iný rozsah tlaku konzultovať s dodávateľom

^{c)} Hodnota hmotnosti je informatívny údaj, platí len pre výrobok bez doplnkového vybavenia

^{d)} Platí pre špeciálne varianty

^{e)} Hodnota akustického tlaku meraného vo vzdialenosti 1,5m s váhovaním A filtrom.

Závislosť výkonnosti kompresora od pracovného tlaku


Pracovný tlak 8 – 10 bar		DK50 PLUS		DK50PLUS S		DK50 PLUS/M		DK50 PLUS S/M	
Menovité napätie Frekvencia ^{a)}	V, Hz	230, 50/60	115, 60	230, 50/60	115, 60	230, 50/60	115, 60	230, 50/60	115, 60
Výkonnosť pri pretlaku 8 bar (FAD)	l/min	60/70	70	60/70	70	50/60	60	50/60	60
Pracovný tlak ^{b)}	bar	8,0 – 10,0		8,0 – 10,0		8,0 – 10,0		8,0 – 10,0	
Prúd max.	A	5,3/5,5	10,2	5,4/5,6	10,5	5,5/5,7	10,5	5,6/5,8	10,7
Výkon motora	kW	0,55		0,55		0,55		0,55	
Objem vzdušníka	l	25		25		25		25	
Kvalita vzduchu – filtrácia	µm	-		-		0,1		0,1	
Povolený prevádzkový tlak poistného ventilu	bar	11,0		11,0		11,0		11,0	
Hladina zvuku pri pretlaku 5 bar (L_{pA}) ^{d)}	dB	≤ 65/67	≤ 67	≤ 47/50	≤ 50	≤ 65/67	≤ 67	≤ 47/50	≤ 50
Režim prevádzky	%	S1-100		S1-100		S1-100		S1100	
Stupeň sušenia - PDP pri 7 bar	°C	-		-		≤+3		≤+3	
Čas naplnenia vzdušníka z 0 do 7 bar	s	150/125	125	150/125	125	175/150	150	175/150	150
Rozmery (netto) š x h x v	mm	460x500x708		560x675x877		460x565x708		560x675x877	
Hmotnosť netto ^{c)}	kg	48		87		53		92	

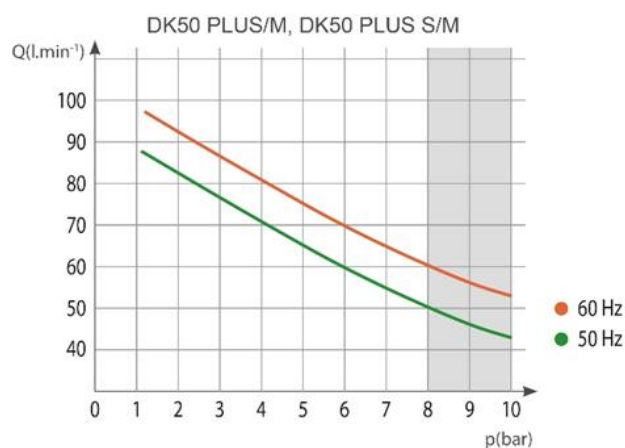
^{a)} Prevedenie kompresora uviesť pri objednávaní

^{b)} Iný rozsah tlaku konzultovať s dodávateľom

^{c)} Hodnota hmotnosti je informatívny údaj, platí len pre výrobok bez doplnkového vybavenia

^{d)} Hodnota akustického tlaku meraného vo vzdialenosti 1,5m s váhovaním A filtrom.

Závislosť výkonnosti kompresora od pracovného tlaku



Pracovný tlak 6 – 8 bar		DK50 2V		DK50 2V S		DK50 2V/M		DK50 2V S/M	
Menovité napätie Frekvencia ^{a)}	V, Hz	230,50 3x400, 50	230,60 115/60	230,50 3x400, 50	230,60 115,60	230,50 3x400, 50	230,60 115,60	230,50 3x400, 50	230, 60 115, 60
Výkonnosť pri pretlaku 6 bar (FAD)	l/min	135		135		104		104	
Pracovný tlak ^{b)}	bar	6,0 – 8,0		6,0 – 8,0		6,0 – 8,0		6,0 – 8,0	
Prúd max.	A	8,6 3,8	9,2 16,5	8,8 4,0	9,4 16,8	8,7 3,9	9,3 16,8	8,9 4,1	9,5 17,0
Výkon motora	kW	1,2 1,2	1,2 1,1	1,2 1,2	1,2 1,1	1,2 1,2	1,2 1,1	1,2 1,2	1,2 1,1
Objem vzdušníka	l	25		25		25		25	
Kvalita vzduchu – filtrácia	µm	-		-		0,1		0,1	
Povolený prevádzkový tlak poistného ventilu	bar	9,0/11,0 ^{d)}		9,0/11,0 ^{d)}		9,0/11,0 ^{d)}		9,0/11,0 ^{d)}	
Hladina zvuku pri pretlaku 5 bar (L _{pA}) ^{e)}	dB	≤68		≤53		≤68		≤54	
Režim prevádzky	%	S1-100		S1-100		S1-100		S1-100	
Stupeň sušenia - PDP pri 7 bar	°C	-		-		≤+3		≤+3	
Čas naplnenia vzdušníka z 0 do 7 bar	s	75		75		80		80	
Rozmery (netto) š x h x v	mm	460x500x720		560x675x877		460x565x720		560x675x877	
Hmotnosť netto ^{c)}	kg	55 53	55	93 91	93	60 58	60	98 96	98

a) Prevedenie kompresora uviesť pri objednávaní

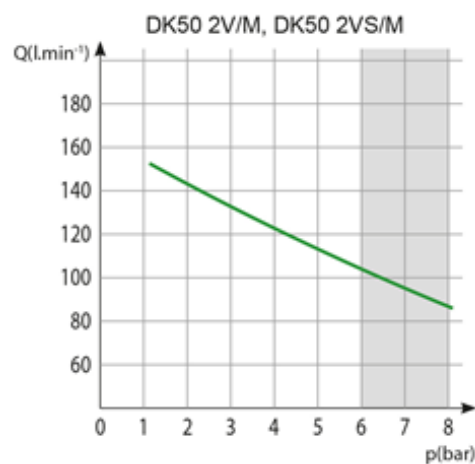
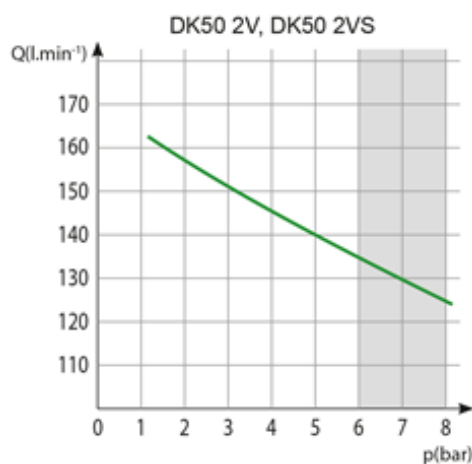
b) Iný rozsah tlaku konzultovať s dodávateľom

c) Hodnota hmotnosti je informatívny údaj, platí len pre výrobok bez doplnkového vybavenia

d) Platí pre špeciálne varianty

e) Hodnota akustického tlaku meraného vo vzdialenosti 1,5m s váhovaním A filtrom.

Závislosť výkonnosti kompresora od pracovného tlaku



Pracovný tlak 8 – 10 bar		DK50 2V		DK50 2V S		DK50 2V/M		DK50 2V S/M	
Menovité napätie Frekvencia ^{a)}	V, Hz	230,50 3x400, 50	230, 60 115, 60	230,50 3x400, 50	230,60 11560	230,50 3x400, 50	115, 60	230, 50 3x400, 50	230, 60 115, 60
Výkonnosť pri pretlaku 8 bar (FAD)	l/min	110		110		87		87	
Pracovný tlak ^{b)}	bar	8,0 – 10,0		8,0 – 10,0		8,0 – 10,0		8,0 – 10,0	
Prúd max.	A	8,4 4,6	9,3 18,6	8,6 4,8	9,5 18,8	8,5 4,7	9,4 18,7	8,7 4,9	9,6 18,9
Výkon motora	kW	1,2 1,2	1,2 1,1	1,2 1,2	1,2 1,1	1,2 1,2	1,2 1,1	1,2 1,2	1,2 1,1
Objem vzdušníka	l	25		25		25		25	
Kvalita vzduchu – filtrácia	µm	-		-		0,1		0,1	
Povolený prevádzkový tlak poistného ventilu	bar	11,0		11,0		11,0		11,0	
Hladina zvuku pri pretlaku 5 bar (L _{pA}) ^{d)}	dB	≤68		≤53		≤68		≤54	
Režim prevádzky	%	S1-100		S1-100		S1-100		S1-100	
Stupeň sušenia - PDP pri 7 bar	°C	-		-		≤+3		≤+3	
Čas naplnenia vzdušníka z 0 do 7 bar	s	85		85		90		90	
Rozmery (netto) š x h x v	mm	460x500x720		560x675x877		460x565x720		560x675x877	
Hmotnosť netto ^{c)}	kg	58 56	58	96 94	96	63 61	63	101 99	101

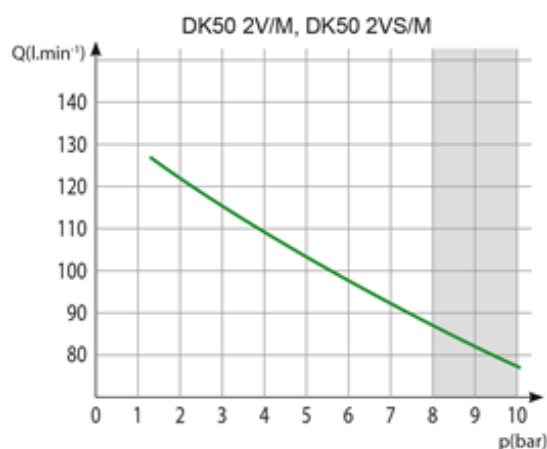
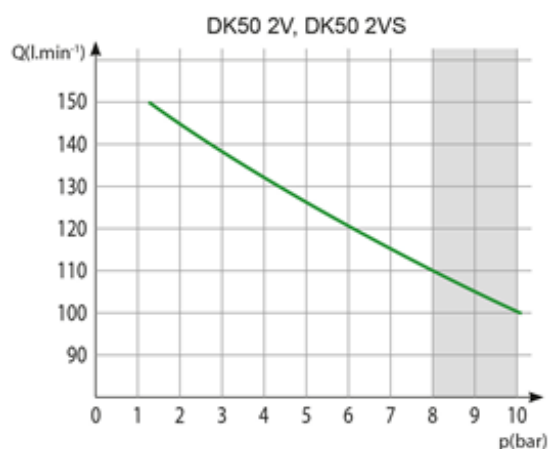
^{a)} Prevedenie kompresora uviesť pri objednávaní

^{b)} Iný rozsah tlaku konzultovať s dodávateľom

^{c)} Hodnota hmotnosti je informatívny údaj, platí len pre výrobok bez doplnkového vybavenia

^{d)} Hodnota akustického tlaku meraného vo vzdialenosti 1,5m s váhovaním A filtrom.

Závislosť výkonnosti kompresora od pracovného tlaku



Korekcia FAD výkonnosti podľa nadmorskej výšky

Výkonnosť udávaná vo forme FAD („Free Air Delivery“) sa vzťahuje na podmienky:

Nadmorská výška	0 m.n.m.	Teplota	20°C
Atmosférický tlak	101325 Pa	Relatívna vlhkosť	0%

Pre prepočet FAD výkonnosti kompresora v závislosti od nadmorskej výšky je potrebné aplikovať korekčný faktor podľa nasledujúcej tabuľky:

Nadm. výška [m.n.m.]	0 -1500	1501 - 2500	2501 - 3500	3501 - 4500
Korekčný faktor FAD	1	0,80	0,71	0,60

INŠTALÁCIA**Nebezpečenstvo nesprávnej inštalácie.**

Kompresor musí inštalovať a po prvýkrát uviesť do prevádzky len kvalifikovaný odborník. Jeho povinnosťou je zaškoliť obsluhujúci personál o používaní a údržbe zariadenia. Inštaláciu a zaškolenie obsluhy potvrdí zápisom v zázname o inštalácii zariadenia (Pozri záručný list).

9. INŠTALAČNÉ PODMIENKY

- Kompresor sa smie inštalovať a prevádzkovať len v suchých, dobre vetraných a bezprašných priestoroch pri podmienkach uvedených v technické údaje

**Nebezpečenstvo poškodenia zariadenia.**

Zariadenie nesmie byť prevádzkované vo vonkajšom prostredí, ani vo vlhkom alebo mokrom prostredí.

**Nebezpečenstvo výbuchu.**

Zariadenie je zakázané používať v priestoroch s prítomnosťou výbušných plynov, prachov alebo horľavých kvapalín.

- Kompresor sa musí inštalovať tak, aby bol ľahko prístupný pre obsluhu a údržbu a aby bol prístupný výrobný štítok.
- Kompresor musí stáť na rovnom, dostatočne stabilnom podklade (pozor na hmotnosť kompresora, pozri technické údaje).



Pri prvom uvedení do prevádzky môžete dočasne (na krátky čas) cítiť charakteristický pach nového výrobku. Tento pach je len krátkodobý a nebráni riadnemu používaniu výrobku. Po inštalácii zabezpečte vetranie miestnosti.

10. ZOSTAVENIE KOMPRESORA**10.1. Manipulácia a odfixovanie**

- Vybaľiť kompresor z obalu.
- Uložiť kompresor na miesto prevádzky. (Obr. 4).

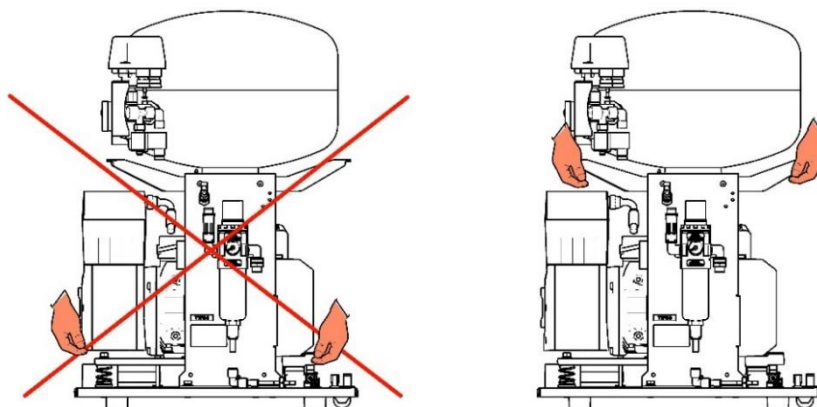


Pri manipulácii s kompresorom používať na uchopenie úchopné madlá kompresora. Na uchopenie nepoužívať iné časti kompresora (agregát, chladič a pod.).



Pri manipulácií so zariadením je potrebné prispôbiť počet osôb podľa hmotnosti zariadenia.

Obr. 4 :Manipulácia s kompresorom



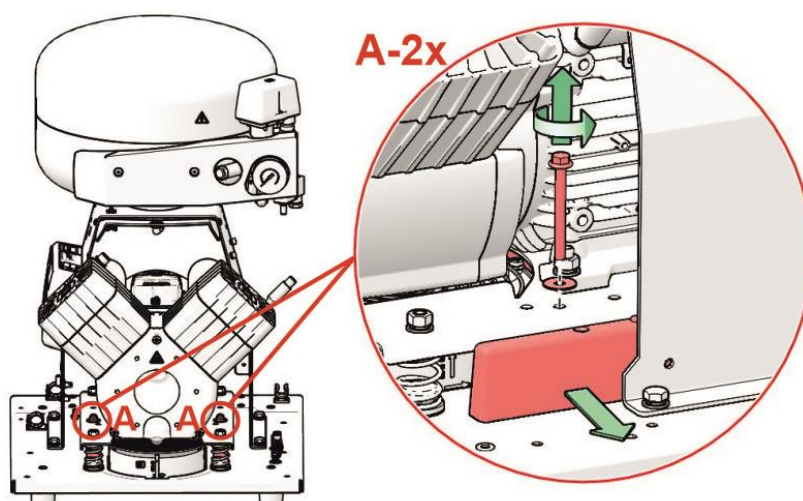
- Odstrániť transportné zaistenie agregátov (Obr. 5)



Pred prvým uvedením do prevádzky sa musia odstrániť všetky istiace prvky slúžiace na fixáciu zariadenia počas dopravy – inak hrozí poškodenie výrobku.

Fixačné prvky agregátov odstrániť až po zostavení a vyvážení kompresora na mieste konečného uloženia.

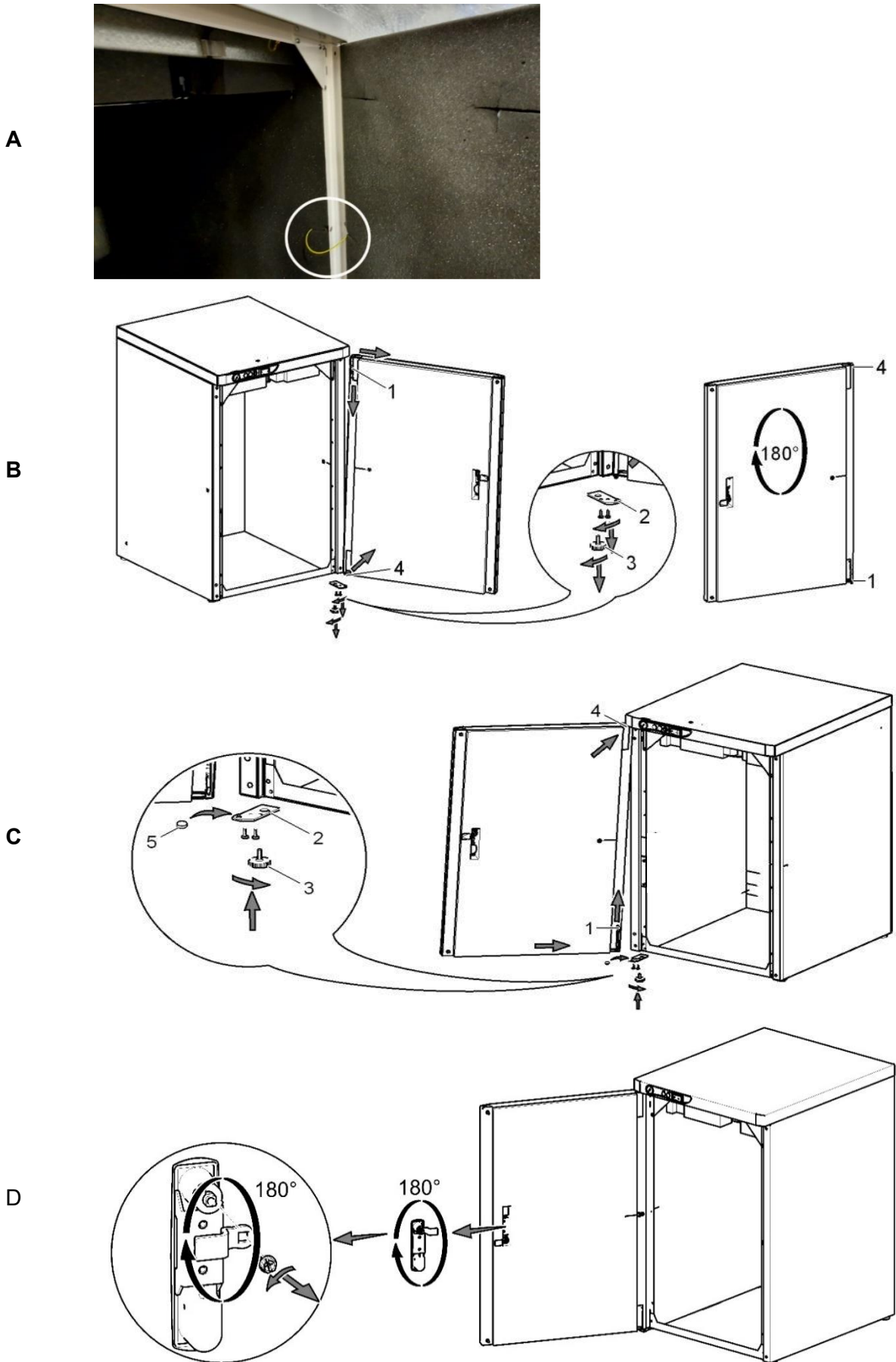
Obr. 5: Odfixovanie agregátu



10.2. Zmena otvárania dverí

- Zo skrinky odpojiť uzemňovací vodič. (A)
- Demontovať dvere, rektifikačné skrutky z oboch strán skrinky (3) a držiak (2) pántu (4). (B)
- Držiak pántu (2) namontovať na ľavú stranu skrinky. (C)
- Dvere otočiť o 180°. (B)
- Medzi pánt (1) a spodnú stranu dverí vložiť dištančnú podložku (5). (C)
- Namontovať dvere, 2ks rektifikačné skrutky (3), pripojiť uzemňovací vodič. (C)
- Demontovať zámok (6) na dverách a otočiť o 180°. (D)
- Demontovať západku (7) a otočiť o 180°. (D)
- Namontovať zámok. (D)

Obr. 6: Zmena otvárania dverí



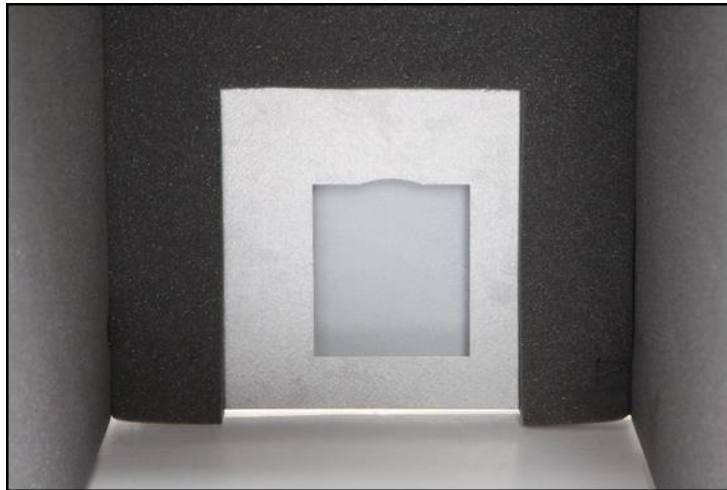
10.3. Doplnenie zvukovo-izolačného materiálu do skrinky

Do skrinky pre kompresor bez sušiča je potrebné osadiť do otvoru v skrinke dielec zo zvukovo-izolačného materiálu.

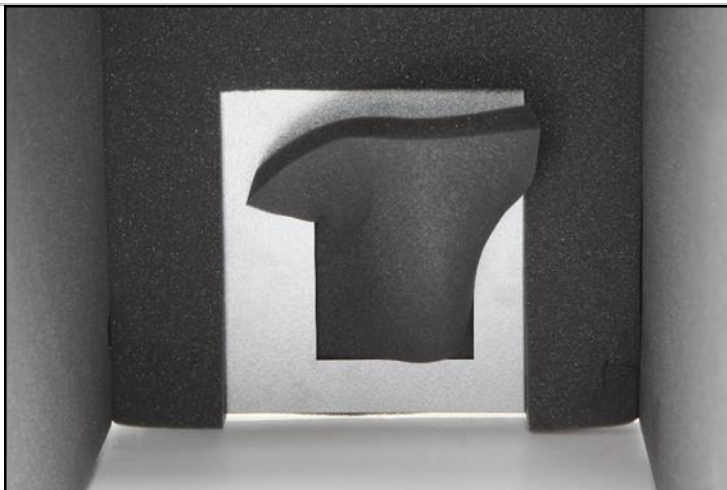
Dielec je súčasťou základného vybavenia výrobku.

Obr. 7: Doplnenie zvukovo-izolačného materiálu do skrinky

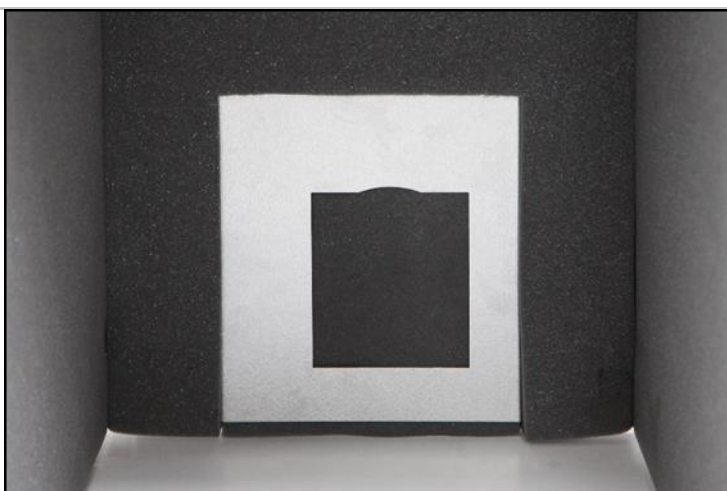
A



B



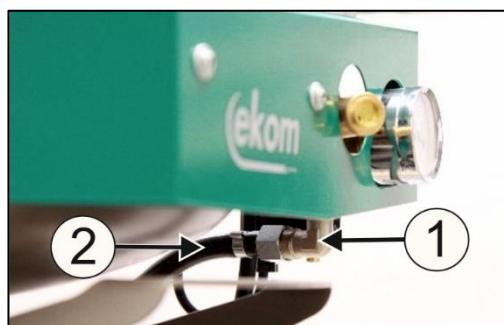
C



11. PNEUMATICKÉ PRIPOJENIE

11.1. Pripojenie k výstupu stlačeného vzduchu

- Na výstup stlačeného vzduchu (1) kompresora pripojiť tlakovú hadicu (2).
- Pri kompresore v skrinke vyviešť tlakovú hadicu cez otvor v zadnej stene skrinky.

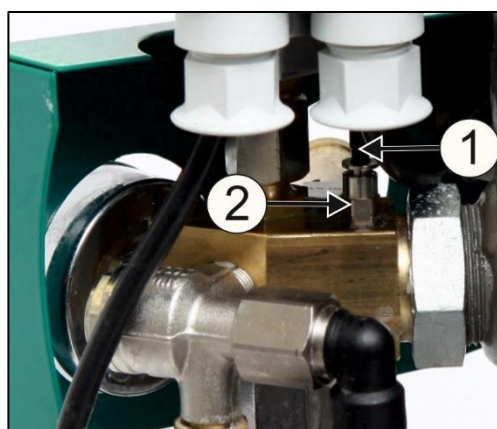
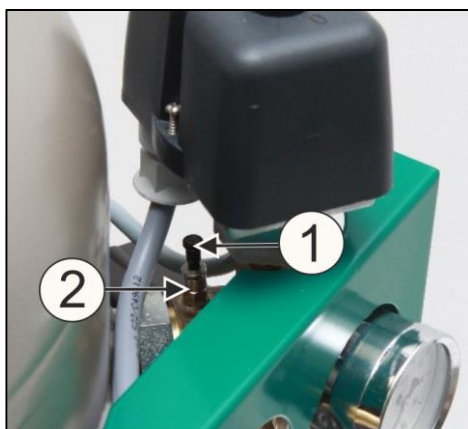


Obr. 8: Pripojenie k výstupu stlačeného vzduchu

- Pri kompresore v skrinke vyviešť tlakovú hadicu cez otvor v zadnej stene skrinky (Obr. 10).

11.2. Pripojenie tlakomera skrinky ku kompresoru

- Odstrániť zátku (1) zo skrutkovania (2) na pneumatickom bloku kompresora.
- Hadičku tlakomera skrinky pripojiť ku skrutkovaniu.

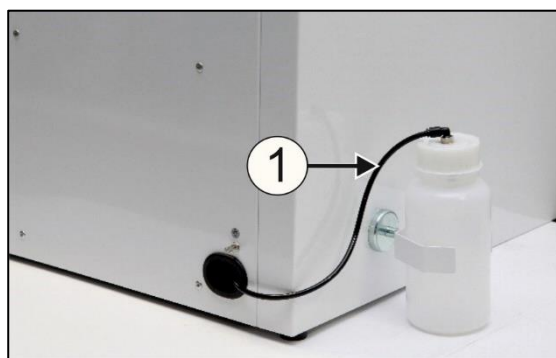


Obr. 9: Pripojenie tlakomera skrinky ku kompresoru

11.3. Pripojenie nádoby na kondenzát

- Pri kompresore so sušičom pripojiť hadičku na odvod kondenzátu k nádobe na kondenzát (Obr. 10)
- Pri kompresore so sušičom v skrinke vyviešť hadičku cez otvor v zadnej stene skrinky a pripojiť k nádobe.

Obr. 10: Pripojenie nádoby na kondenzát

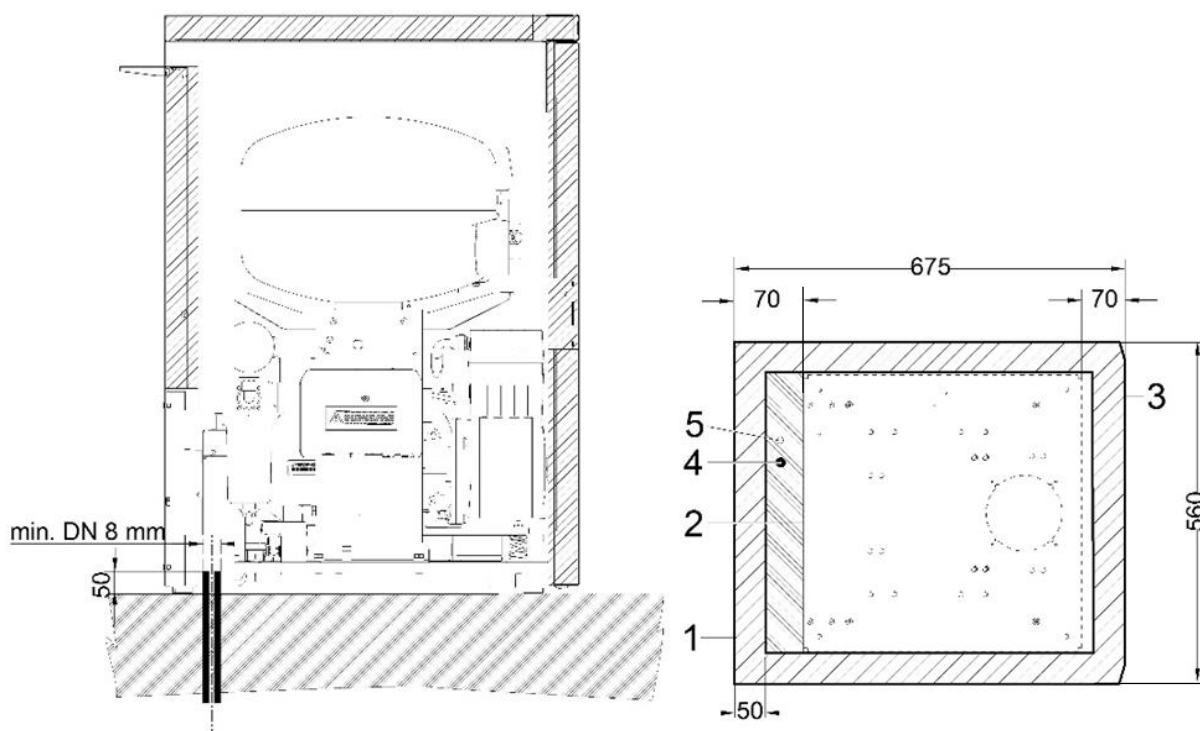


Nebezpečenstvo poškodenia pneumatických častí.

Vzduchové hadice nesmú byť zlomené.

11.4. Inštalácia do podlahy

Kompresor zapojiť cez vopred pripravené rozvody v podlahe podľa inštaláčného plánu



- 1 - Obrys skrinky
- 2 - Obrys základne
- 3 - Predná časť - dvere
- 4 - Prípojka stlačeného vzduchu G3/8"
- 5 - Prívod napájacieho napätia:
 230V/50(60)Hz 3Gx1.0x4000
 3x400V/50Hz 5Gx1.0x4000

- všetky rozmery sú v milimetroch
 - vzdialenosť od steny min. 100mm

Obr. 11: Inštalácia podlahy

12. ELEKTRICKÉ ZAPOJENIE

- Výrobok sa dodáva so šnúrou zakončenou vidlicou s ochranným kontaktom.
- Zásuvka musí byť z bezpečnostných dôvodov dobre prístupná, aby sa výrobok v prípade nebezpečenstva mohol bezpečne odpojiť zo siete.
- Príslušný prúdový okruh musí byť v rozvode elektrickej energie istený maximálne 16 A.



Nebezpečenstvo úrazu elektrickým prúdom.

Je nevyhnutne potrebné rešpektovať miestne elektrotechnické predpisy. Napätie siete a frekvencia musia súhlasiť s údajmi na prístrojovom štítku.



Nebezpečenstvo požiaru a úrazu elektrickým prúdom.

Elektrický kábel sa nesmie dotýkať horúcich častí kompresora.



Nebezpečenstvo požiaru a úrazu elektrickým prúdom.

Elektrická šnúra na pripojenie na elektrickú sieť nesmie byť zlomená.



Skrinka kompresora DK50 PLUS S/M, DK50 2V S/M, prevedenie 6-8 bar, je osadená chladiacim ventilátorom a vypínačom. Skrinku je potrebné pripojiť pomocou šnúry s konektorom ku konektoru na elektropaneli kompresora.

- Kolík na ekvipotenciálne pospojovanie \varnothing 6 mm (1) prepojiť s rozvodom podľa platných elektrotechnických predpisov. Zásuvka na ekvipotenciálne pospojovanie (2) je doplnkové príslušenstvo a nenachádza sa v základnom balení.



Obr. 12: Ekvipotenciálne pospojovanie

12.1. Zapojenie kompresora bez skrinky

- Vidlicu sieťovej šnúry zapojiť do sieťovej zásuvky.
- Kompresor je pripravený k prevádzke.

12.2. Zapojenie kompresora v skrinke

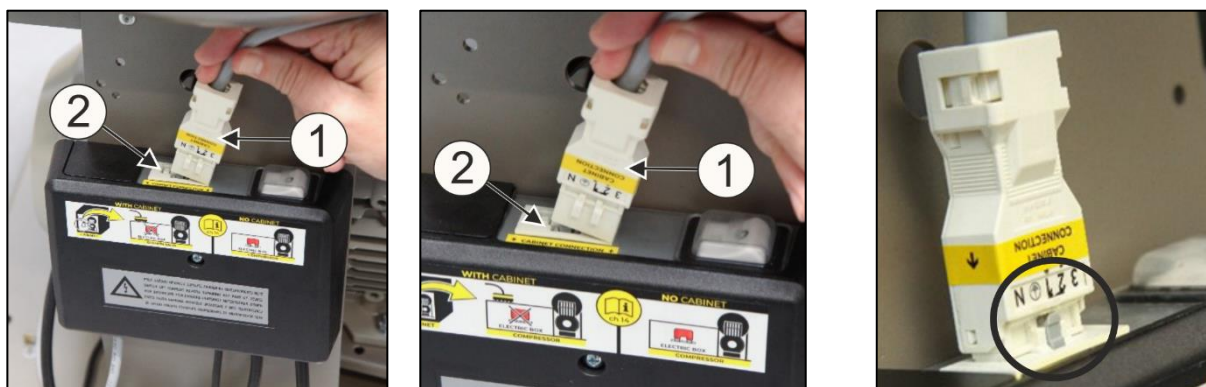
- Pri kompresore v skrinke vyviesť sieťovú šnúru cez otvor v zadnej stene skrinky.



Obr. 13: Zapojenie kompresora v skrinke

- Skrinku elektricky pripojiť ku kompresoru pomocou šnúry s konektorom (1) do zásuvky (2). (Obr. 14)
- Skrinku elektricky odpojiť od kompresora vytiahnutím konektora (1) zo zásuvky pri uvoľnenej západke.

Obr. 14: Zapojenie skrinky ku kompresoru



13. PRVÉ UVEDENIE DO PREVÁDZKY

- Skontrolovať, či boli odstránené všetky fixačné prvky použité počas prepravy.
- Skontrolovať správnosť pripojenia stlačeného vzduchu (pozri kap.11).
- Skontrolovať správne pripojenie na elektrickú sieť (pozri kap. 12).
- Skontrolovať polohu istiaceho vypínača, musí byť v polohe „I“. V prípade, že sa nachádza v polohe „0“, zapnúť vypínač (4) do polohy „I“. (Obr. 15).
- Pri kompresore DK50 PLUS S/M (8 - 10bar) zapnúť aj vypínač (5) na prednej strane skrinky do polohy „I“, zelená kontrolka signalizuje stav zariadenia v prevádzke. (Obr. 15).
- Skontrolovať, či skrinka kompresora DK50 PLUS S/M a DK50 2V S/M (len 8 - 10 bar) je prepojená s kompresorom pomocou kábla s konektorom. (Obr. 14).
- Skontrolovať pripojenie hadičky manometra skrinky k pneumatickému bloku kompresora.

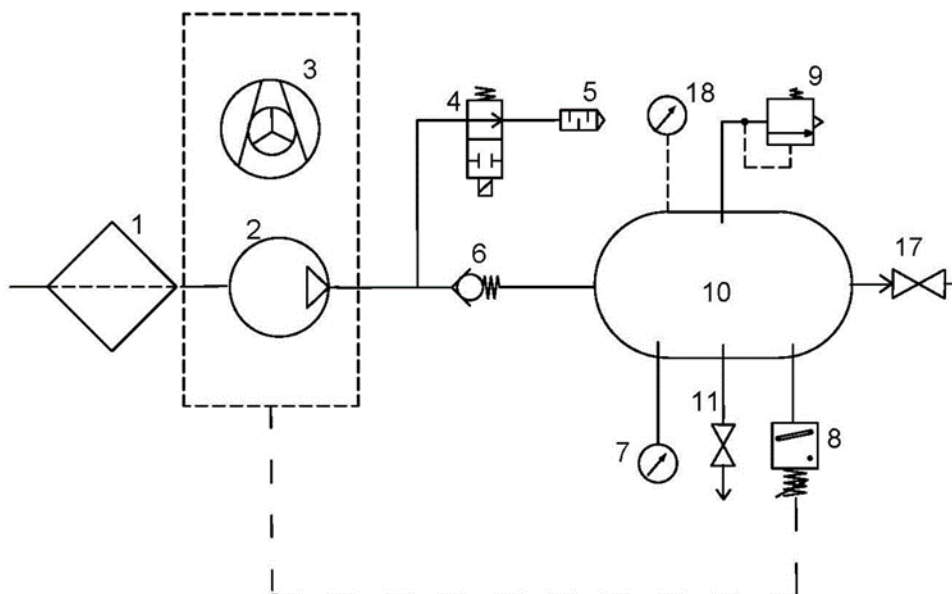


Kompresor neobsahuje záložný zdroj energie.

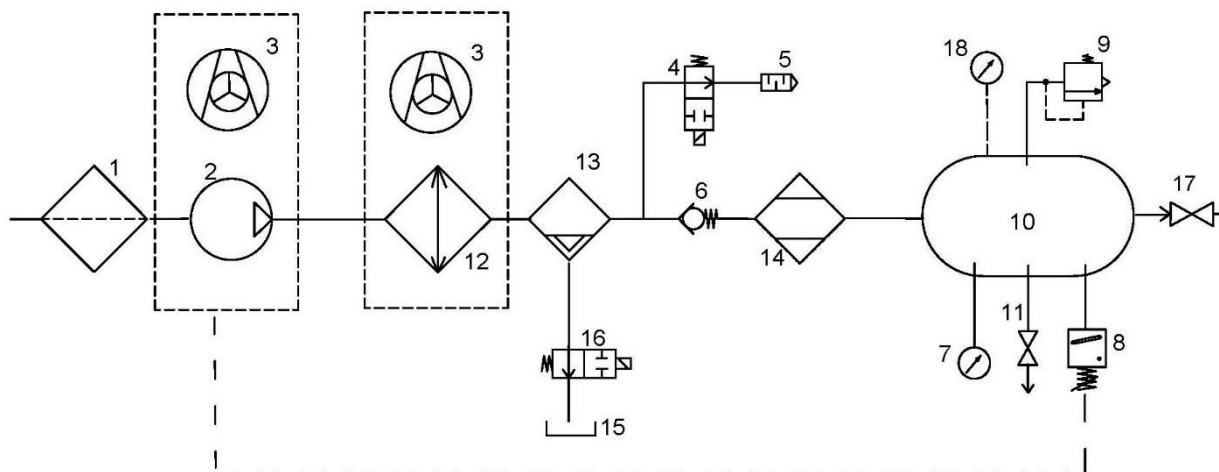
14. PNEUMATICKÉ A ELEKTRICKÉ SCHÉMY

14.1. Pneumatické schémy

DK50 PLUS, DK50 PLUS S, DK50 2V, DK50 2V S



DK50 PLUS/M, DK50 PLUS S/M, DK50 2V/M, DK50 2V S/M



Popis k pneumatickým schémam

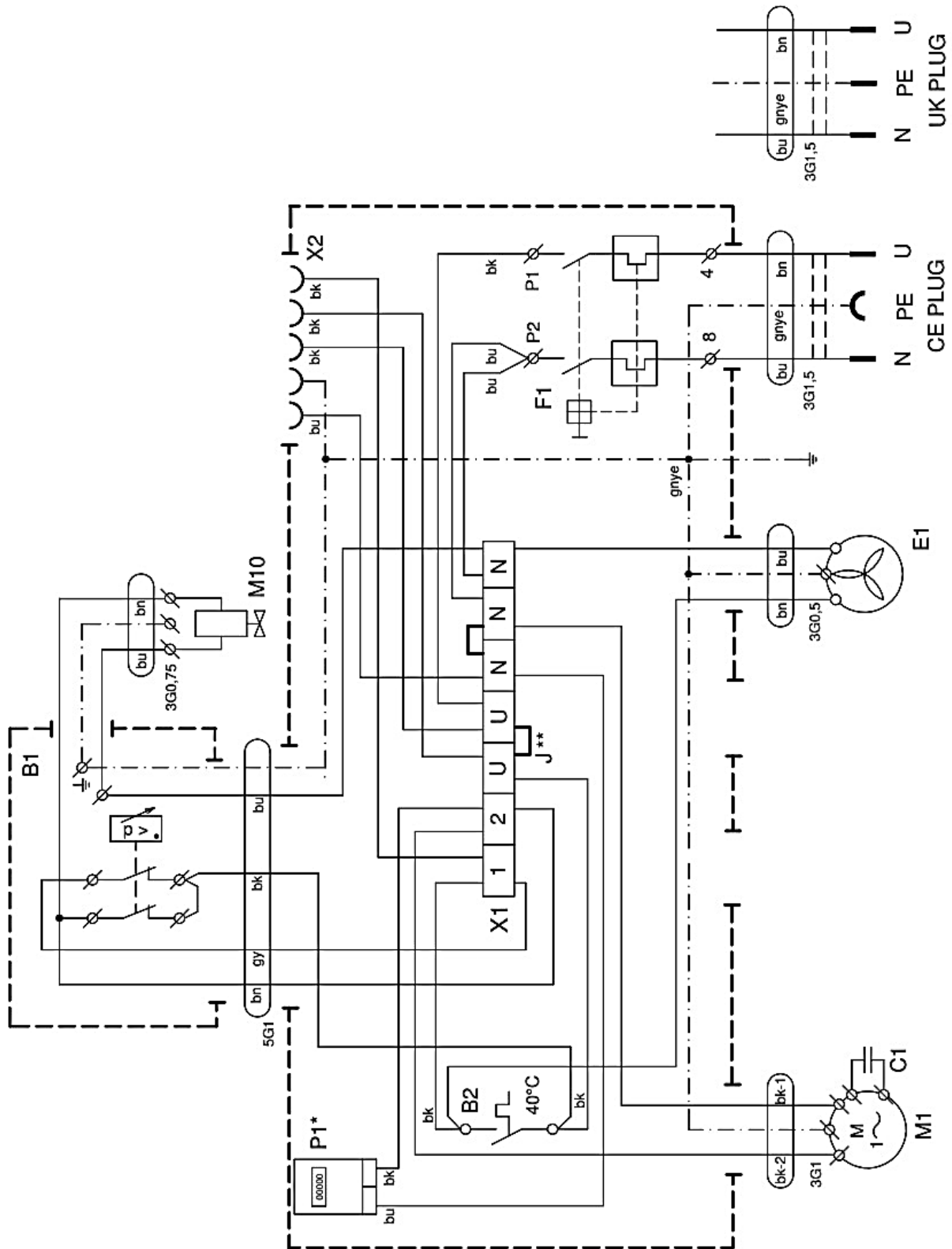
- | | |
|----------------------|--|
| 1 Vstupný filter | 10 Vzdušník |
| 2 Kompresor | 11 Vypúšťací ventil |
| 3 Ventilátor | 12 Chladič |
| 4 Odľahčovací ventil | 13 Koalescenčný filter |
| 5 Tlmič hluku | 14 Membránový sušič |
| 6 Spätný ventil | 15 Nádobu na zber kondenzátu |
| 7 Tlakomer | 16 Solenoidný ventil odvodu kondenzátu |
| 8 Tlakový spínač | 17 Výstupný ventil |
| 9 Poistný ventil | 18 Tlakomer skrinky |

14.2. Elektrické schémy

DK50 PLUS, DK50 PLUS S DK50 2V, DK50 2V S
6 - 8 bar, 8 - 10 bar

1/N/PE 230 V, 50/60 Hz

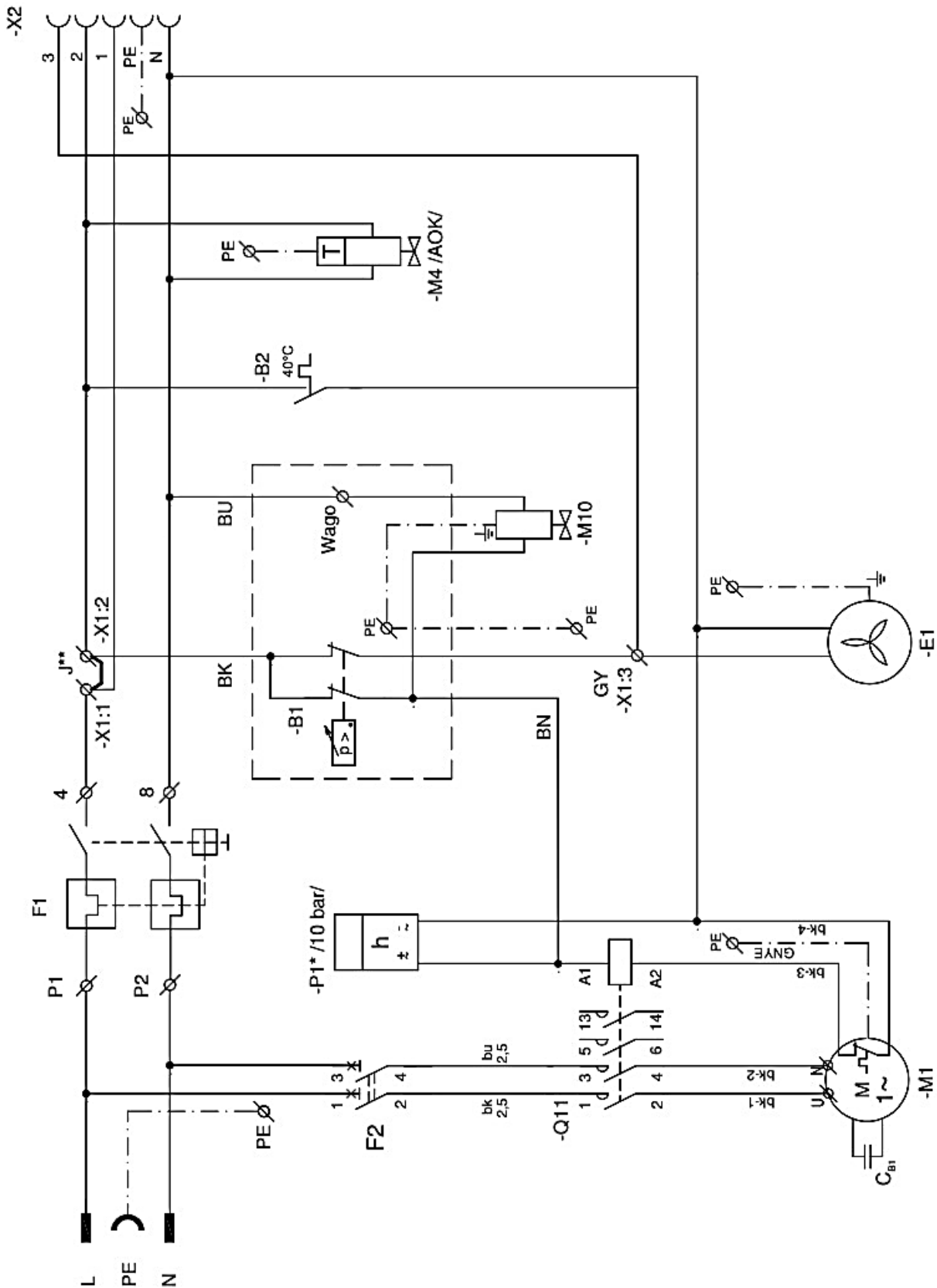
ELEKTRICKÝ PREDMET TR.1



DK50 PLUS, DK50 PLUS S DK50 2V, DK50 2V S
6 - 8 bar, 8 - 10 bar

1/N/PE 115 V, 60 Hz

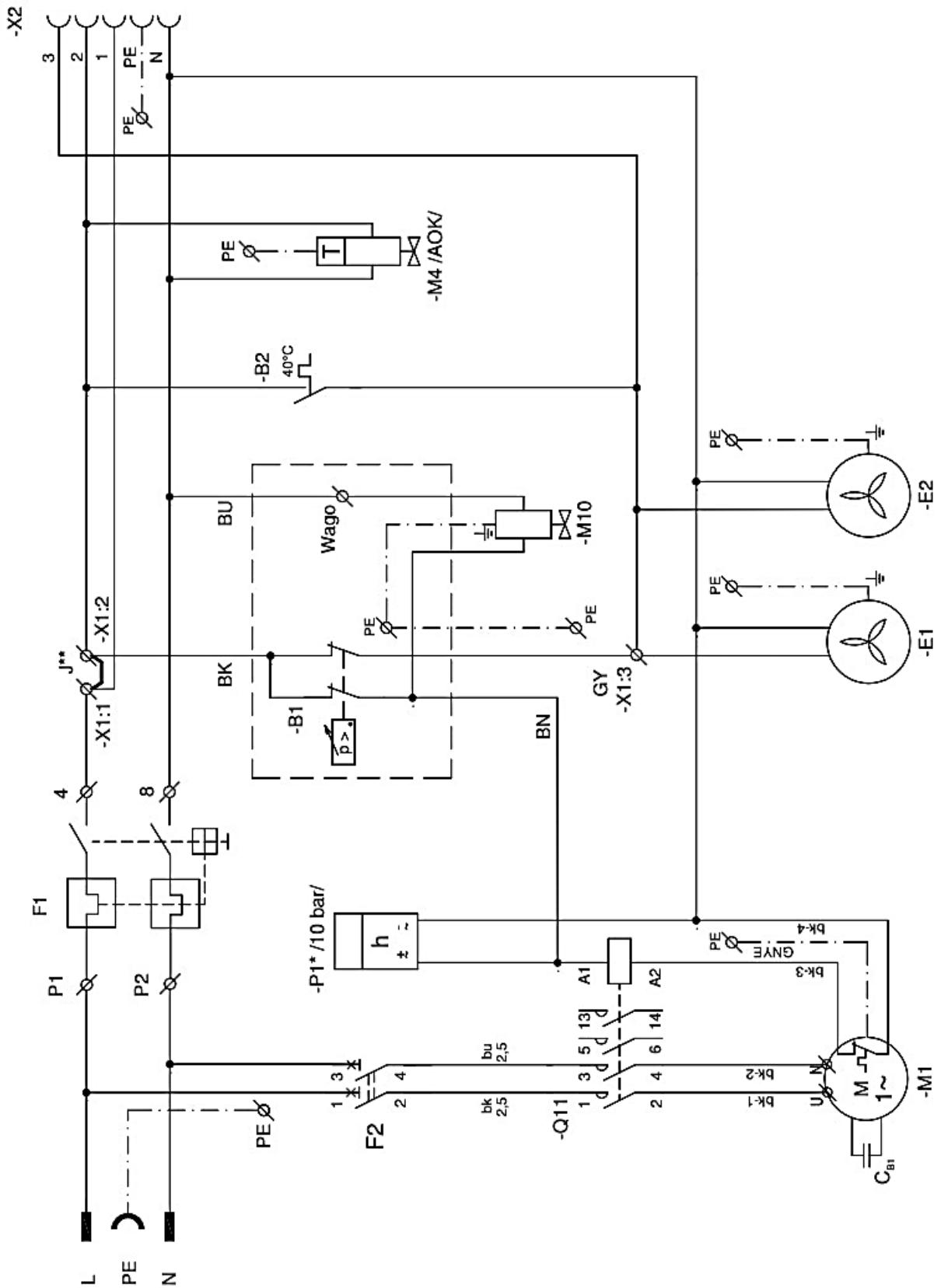
ELEKTRICKÝ PREDMET TR.1



DK50 PLUS/M, DK50 PLUS S/M DK50 2V/M, DK50 2V S/M 6 - 8 bar, 8 - 10 bar

1/N/PE 115 V, 60 Hz

ELEKTRICKÝ PREDMET TR.1

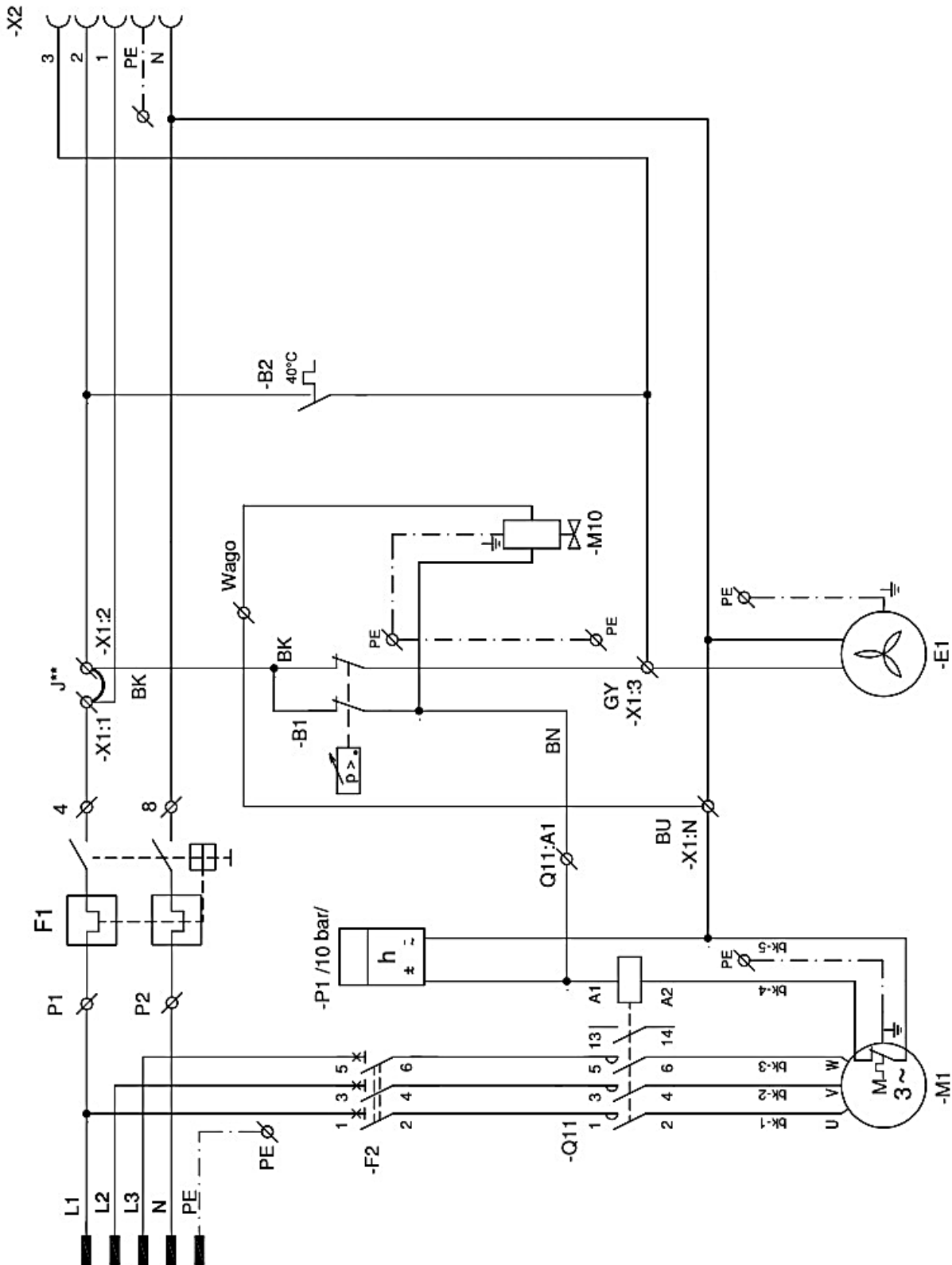


DK50 2V, DK50 2V S
6 - 8 bar, 8 - 10 bar

3/N/PE 400 V, 50 Hz

ELEKTRICKÁ SIEŤ TN-S [TN-C-S]

ELEKTRICKÝ PREDMET TR.1



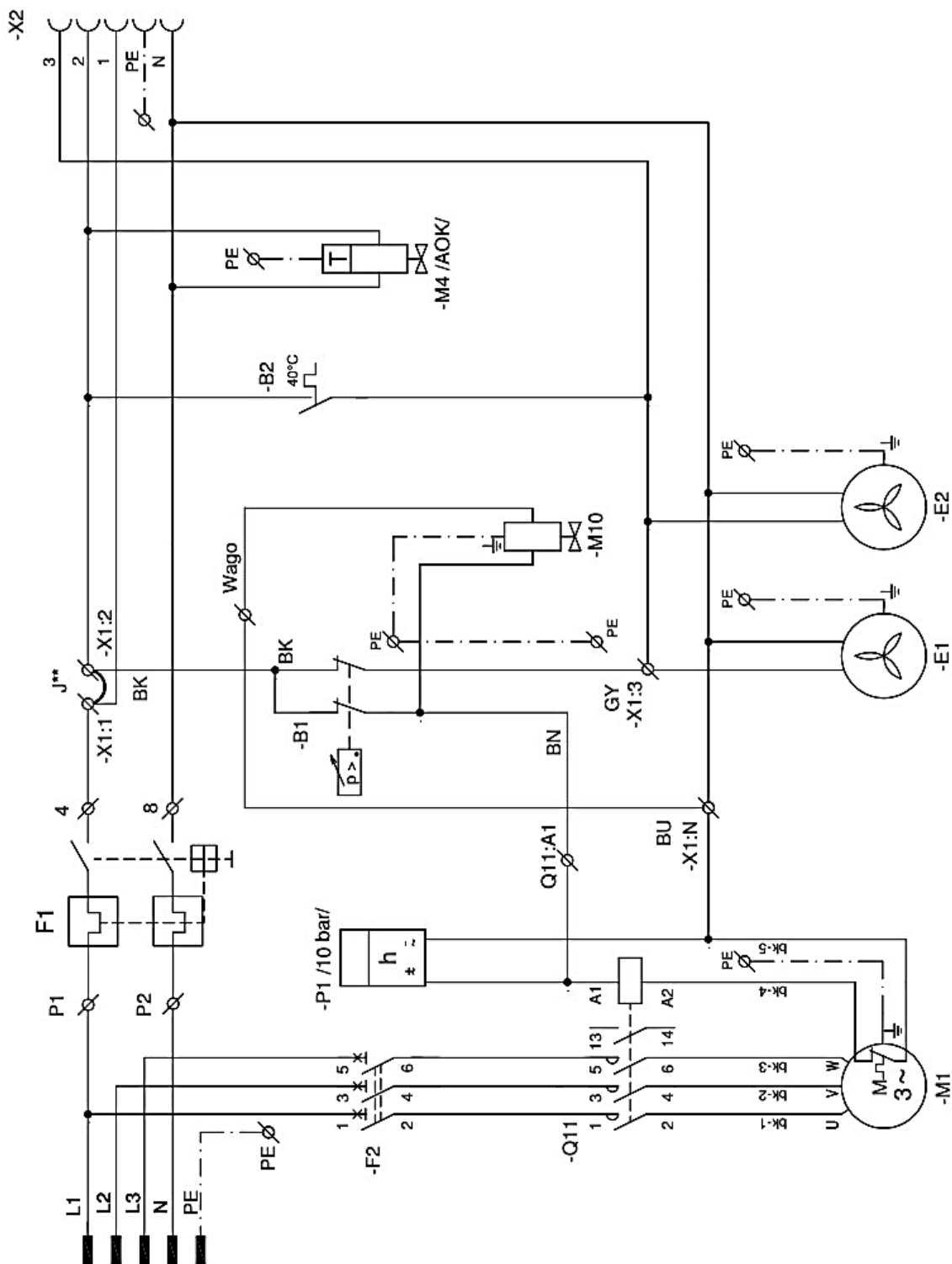
DK50 2V/M, DK50 2V S/M

6 - 8 bar, 8 - 10 bar

3/N/PE 400 V, 50 Hz

ELEKTRICKÁ SIEŤ TN-S [TN-C-S]

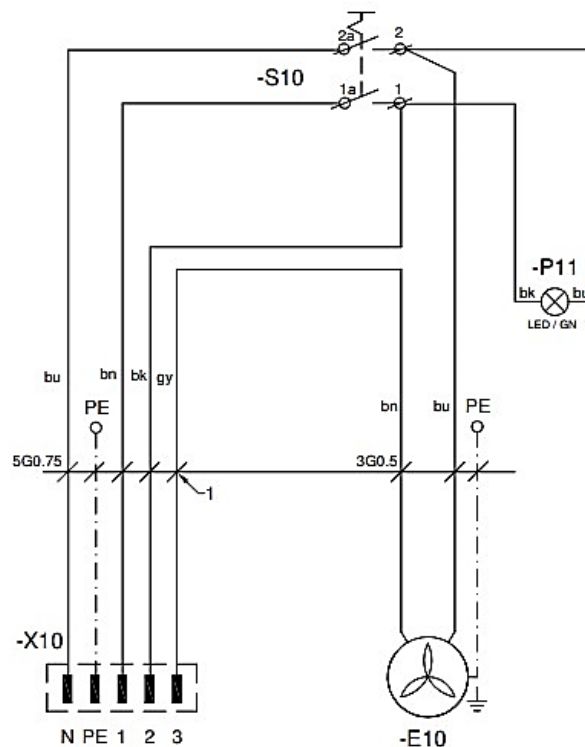
ELEKTRICKÝ PREDMET TR.1



Skrinka kompresora

1/N/PE 230V 50 Hz
 230V, 50 Hz, 230V 60Hz
 115 V, 60 Hz

ELEKTRICKÝ PREDMET TR.1

**Popis k elektrickým schémam**

M1	Motor kompresora	C1	Kondenzátor
E1	Ventilátor kompresora	B1	Tlakový spínač
E2	Ventilátor sušiča	X1	Svorkovnica
M10	Odľahčovací ventil	F1	Istiaci vypínač
B2	Teplotný spínač	M4	Ventil odvodu kondenzátu
E10	Ventilátor skrinky	P1	Počítadlo hodín
X10,X2	Konektor	S10	Vypínač
F2	Istič	P11	Kontrolka
Q11	Stykač	X2	Zásuvka

Poznámka:

- J** - Mostík zapojiť iba pri kompresore bez skrinky (pozri kap. 17.10)
- P1* - Na kompresore v prevedení 8-10bar je osadené počítadlo hodín

OBSLUHA

ZARIADENIE SMIE OBSLUHOVAŤ LEN VYŠKOLENÝ PERSONÁL !



Nebezpečenstvo úrazu elektrickým prúdom.

Pri nebezpečenstve odpojiť kompresor od elektrickej siete (vytiahnuť sieťovú zástrčku).



Nebezpečenstvo popálenia alebo požiaru.

Pri činnosti kompresora sa časti agregátu môžu zohriať na teploty nebezpečné pre dotyk osôb alebo materiálu.



Výstraha – kompresor je ovládaný automaticky.

Automatické spustenie. Keď tlak v tlakovej nádrži poklesne na zapínací tlak, kompresor sa automaticky zapne. Kompresor sa automaticky vypne, keď tlak vo vzdušníku dosiahne hodnotu vypínacieho tlaku.



Nebezpečenstvo poškodenia pneumatických častí.

Je zakázané meniť pracovné tlaky tlakového spínača nastaveného u výrobcu. Činnosť kompresora pri nižšom pracovnom tlaku ako je zapínací tlak svedčí o vysokej spotrebe vzduchu (pozri kap. Poruchy).



Nebezpečenstvo poškodenia sušiča.

Pri prevádzke sušiča pri teplote okolia vyššej ako maximálna prevádzková teplota uvedená v Technických údajoch môže dôjsť k poškodeniu sušiča.



Požadovaný stupeň sušenia je možné dosiahnuť len pri dodržaní predpísaných prevádzkových podmienok.

Pri prevádzke sušiča pri tlaku nižšom ako je minimálny pracovný tlak sa zníži účinnosť sušenia a zhorší sa dosahovaný rosný bod.



Pri dlhšom chode kompresora sa zvýši teplota v okolí kompresora nad 40 °C a automaticky sa zopne chladiaci ventilátor. Po vychladení priestoru pod približne 32 °C sa ventilátor opäť vypne.

15. ZAPNUTIE KOMPRESORA

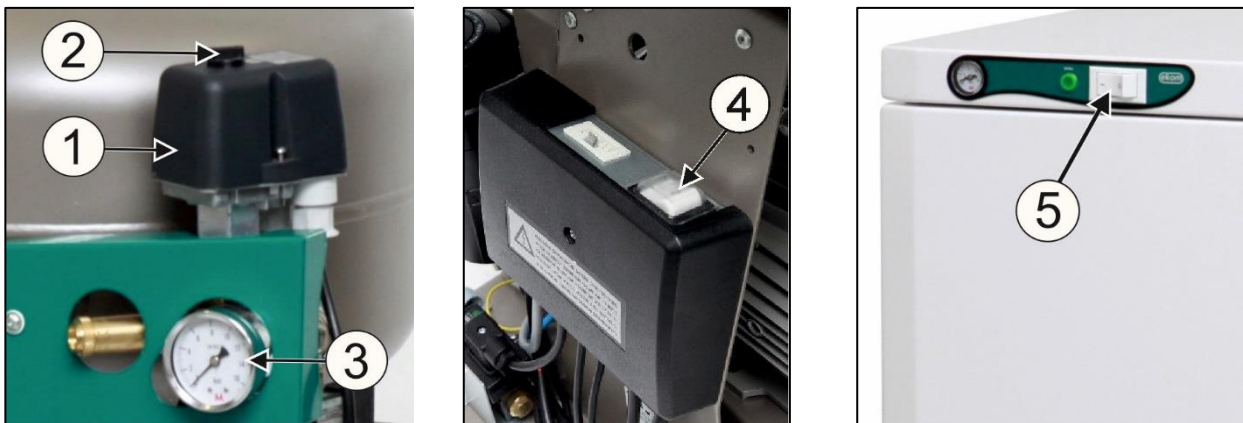
Kompresor (bez skrinky) zapnúť na tlakovom spínači (1) otočením prepínača (2) do polohy „I“. Kompresor začne pracovať, naplní vzdušník na vypínací tlak a tlakový spínač vypne kompresor.

Kompresor v skrinke zapnúť vypínačom (5) na prednej strane skrinky, kontrolka sa rozsvieti na zeleno. Kompresor začne pracovať, naplní vzdušník na vypínací tlak a tlakový spínač vypne kompresor.

Ďalej už kompresor pracuje v automatickom režime, podľa spotreby stlačeného vzduchu sa kompresor zapína a vypína.

Hodnoty zapínacieho a vypínacieho tlaku skontrolovať na tlakomeri (3). Hodnoty môžu byť v tolerancii $\pm 10\%$. Tlak vzduchu vo vzdušníku nesmie prekročiť povolený prevádzkový tlak.

Obr. 15: Zapnutie kompresora



- **Kompresor**– kompresor pri prvom zapnutí a uvedení do činnosti sa naplní vzdušník na vypínací tlak a tlakový spínač vypne kompresor. Ďalej kompresor pracuje už v automatickom režime, podľa spotreby stlačeného vzduchu sa kompresor zapína a vypína.
- **Kompresor so sušičom** – kompresor pracuje rovnako ako v predchádzajúcom prípade avšak počas činnosti kompresora stlačený vzduch prechádza sušičom, ktorý odoberá vlhkosť zo stlačeného vzduchu.



Nebezpečenstvo poškodenia pneumatických častí.

Tlakový spínač (1) bol nastavený u výrobcu a ďalšie nastavenie zapínacieho a vypínacieho tlaku môže vykonať iba kvalifikovaný odborník vyškolený výrobcou.

16. VYPNUTIE KOMPRESORA

- Vypnutie kompresora kvôli vykonaniu servisu alebo z iného dôvodu vykonať na tlakovom spínači (1) otočením prepínača (2) do polohy „0“ (Obr. 15) a **vytiahnutím sieťovej vidlice zo zásuvky**. Kompresor je tým odpojený od napájacej siete.
- Znížiť tlak vo vzdušníku na nulu otvorením vypúšťacieho ventilu (Obr. 16).

ÚDRŽBA VÝROBKU**17. ÚDRŽBA VÝROBKU**

Prevádzkovateľ je povinný zabezpečiť vykonávanie skúšok zariadenia v intervaloch, ktoré určujú príslušné národné právne predpisy. O výsledkoch skúšok musí byť vykonaný záznam.

Zariadenie je navrhnuté a vyrobené tak, aby jeho údržba bola minimálna. Pre riadnu a spoľahlivú činnosť kompresora je však potrebné vykonávať práce podľa nasledujúceho popisu.



Nebezpečenstvo neodborného zásahu.

Opravné práce, ktoré presahujú rámec bežnej údržby (pozri kap. 17.1), smie vykonávať iba kvalifikovaný odborník (organizácia poverená výrobcom) alebo zákaznícky servis výrobcu.

Práce v rámci bežnej údržby (pozri kap. 17.1) smie vykonávať iba zaškolený pracovník obsluhy.

Používať sa smú iba náhradné diely a príslušenstvo predpísané výrobcom.



Nebezpečenstvo úrazu a poškodenia zariadenia.

Pred začatím prác týkajúcich sa údržby kompresora je nutné:

- skontrolovať, či je možné odpojiť kompresor od spotrebiča, aby tým nevzniklo riziko poškodenia zdravia osoby používajúcej daný spotrebič, prípadne iné materiálne škody;
- vypnúť kompresor;
- odpojiť ho z elektrickej siete (vytiahnuť sieťovú zástrčku);
- vypustiť stlačený vzduch zo vzdušníka.



Nebezpečenstvo úrazu pri vypúšťaní stlačeného vzduchu.

Pri vypúšťaní stlačeného vzduchu z pneumatického rozvodu (vzdušníka) je potrebné chrániť si zrak – použiť ochranné okuliare.



Nebezpečenstvo popálenia.

Počas činnosti kompresora alebo krátko po jej ukončení majú časti agregátu (hlava, valec, tlaková hadica) vysokú teplotu – nedotýkať sa uvedených častí.

Pred údržbou, servisom výrobku alebo pripájaním / odpájaním prívodu tlakového vzduchu nechať zariadenie vychladnúť!



Uzemňovací vodič odpojený počas servisného zásahu je potrebné po ukončení prác opätovne pripojiť na pôvodné miesto.

- Pri servise alebo údržbe je možné vysunúť kompresor zo skrinky jeho vytiahnutím pred skrinku (ako dovoľí dĺžka šnúry medzi kompresorom a skrinkou). (Pozri kap. 17). Po jeho vytiahnutí je možné vykonať potrebnú údržbu alebo servis.
- V prípade odpojenia šnúry medzi kompresorom a skrinkou (vytiahnutím vidlice konektora, kap.12.2), kompresor nie je funkčný. Aby kompresor bol funkčný, treba postupovať podľa kap. 12.2 alebo 17.10 alebo 17.11.

17.1. Intervaly údržby

Časový interval ^{c)}	50 Hz	60 Hz	1x za deň	1x za týždeň	1x za rok	1x za 2 roky	1 x za 6 rokov	2000 hod	4000 hod	6000 hod	8000 hod	10000 hod	12000 hod	Kap.	Súprava náhradných dielov	Vykoná
Kontrola činnosti výrobcu	x													17.2	-	
Vypustiť kondenzát zo vzdušníka ^{b)} - Pri vysokej RH ^{b)} - Vyliať zachytený kondenzát z fľaše ^{b)} - Pri vysokej vlhkosti vzduchu	x													17.5	-	
Vypustiť kondenzát zo vzdušníka ^{b)} - Pri bežnej vlhkosti vzduchu				x										17.5	-	
Kontrola funkcie výrobcu				x										8	-	
Kontrola tesnosti spojov a kontrolná prehliadka zariadenia					x									17.3	-	
Kontrola elektrických spojov					x									17.4	-	
Kontrola chladiča a ventilátora					x									17.9	-	
Výmena filtračnej vložky sušiča ^{d)}					x									17.8	025200304-000	
Kontrola poistného ventilu					x									17.6	-	
Výmena vstupného filtra a predfiltra DK50 PLUS ^{a)}					x				x				x	17.7	025200126-000	
Výmena vstupného filtra a predfiltra DK50 2V ^{a)}					x				x				x	17.7	025200139-000 025200150-000	

^{a)} platí údaj v hodinách, ak nie je dostupný, potom platí údaj v rokoch

^{b)} platí len pre kompresor bez sušiča

^{c)} Pri prevedení kompresora 60 Hz sa časový interval v hodinách skráti o 20 %

(2000h./1600h., 4000h./3200h., 6000h./4800h., 8000h./6400h., 10000h./8000h., 12000h./9600h.)

^{d)} platí len pre kompresor so sušičom

17.2. Kontrola činnosti

- Kontrolovať stav agregátov – agregáty musia mať rovnomerný chod, bez vibrácií, primeranú hlučnosť. V prípade negatívneho výsledku hľadať príčinu stavu alebo volať servis.
- Kontrolovať činnosti ventilátorov (zrakom) – ventilátory musia byť v činnosti v čase, keď sú v činnosti agregáty. V prípade negatívneho výsledku hľadať príčinu stavu alebo volať servis.
- Kontrolovať neporušenosť prívodného kábla, pneumatických hadíc. Poškodené diely vymeniť alebo volať servis.
- Kontrola teploty okolia – teplota okolia musí byť pod povolenou teplotou (40°C). V prípade vyššej teploty zlepšiť chladenie v miestnosti.
- Pri kompresore so sušičom vzduchu - na fľaši na kondenzát uvoľniť zátku a vyliat kondenzát.

17.3. Kontrola tesnosti pneumatických spojov a kontrolná prehliadka zariadenia

Kontrola tesnosti

- Kontrolu tesnosti pneumatických rozvodov kompresora vykonať počas činnosti – tlakovania kompresora.
- Analyzátorom netesností alebo mydlovou vodou kontrolovať tesnosť spojov. Ak je indikovaná netesnosť, spoj je potrebné dotiahnuť, prípadne spoj utesniť.

Prehliadka zariadenia

- Skontrolovať stav agregátu kompresora - rovnomernosť chodu, primeraná hlučnosť.
- Kontrola činnosti ventilátorov - ventilátory musia byť v činnosti v predpísaných cykloch činnosti kompresora.
- Kontrola funkcie teplotného spínača (B2) – teplotný spínač zahriať na teplotu vyššiu ako 40 °C (napr. teplotnou pištoľou – Pozor, nepôsobiť vysokou teplotou na plastové diely v okolí, môže dôjsť k deformácii plastov). Po dosiahnutí teploty 40 °C sa uvedie do činnosti ventilátor E1, E3 – kompresor musí byť pod napätím.
- Skontrolovať stav filtrov – filtre musia byť bez poškodenia a primerane čisté.
- Skontrolovať stav samotného agregátu, skontrolovať, či nie sú nečistoty v kľukovej skrini, príp. vôľa na kľukovom hriadelí.
- V prípade zistených nedostatkov chybné súčiastky vymeniť.

17.4. Kontrola elektrických spojov



Nebezpečenstvo úrazu elektrickým prúdom.

Kontrolu elektrických spojov výrobku vykonávať pri odpojení sieťovom napätí.

- Skontrolovať mechanickú funkčnosť hlavného vypínača.
- Skontrolovať neporušenosť prívodného kábla, pripojenie vodičov.
- Vizúálne skontrolovať pripojenie káblov na svorkovnicu.
- Skontrolovať všetky skrutkové spoje ochranného zelenožltého vodiča PE.

17.5. Vypustenie kondenzátu



Riziko pošmyknutia na vlhkej podlahe v prípade pretečenia nádoby.



Pred každým vyprázdňovaním nádoby je nutné kompresor vypnúť!

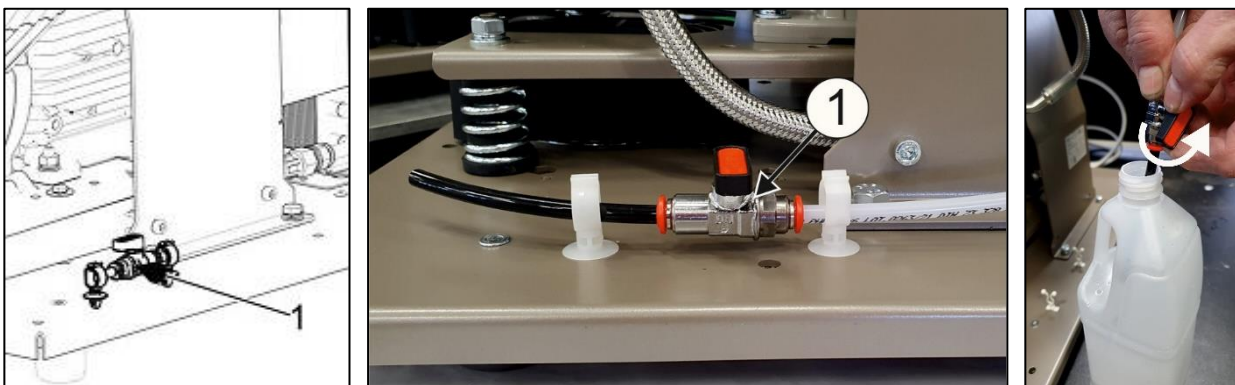


Vypúšťací ventil otvárať opatrne a postupne. Veľké otvorenie vypúšťacieho ventilu je sprevádzané výrazným akustickým prejavom a nekontrolovaným vystreknutím nahromadeného kondenzátu.

Kompresory bez sušiča vzduchu

Pri pravidelnej prevádzke sa odporúča vypustiť kondenzát z tlakovej nádoby.

- Kompresor vypnúť zo siete a tlak vzduchu v zariadení znížiť na tlak max. 1 bar, napríklad odpustením vzduchu cez pripojené zariadenie.
- Vypúšťací ventil uvoľniť z príchytiek na základni kompresora. Voľný koniec hadice umiestniť do vhodnej nádoby a otvorením vypúšťacieho ventilu (1) vypustiť kondenzát z nádrže.
- Pri skrinkových verziách kompresora je možné vypúšťať kondenzát mimo skrinky.



Obr. 16: Vypustenie kondenzátu z tlakovej nádoby

- Kompresory je možné na výpusť kondenzátu zo vzdušníka vybaviť Automatickým odvodom kondenzátu (AOK), ktorý zabezpečí odvádzanie kondenzátu bez zásahu obsluhy (pozri kap. doplnkové vybavenie).

Kompresory so sušičom vzduchu

Pri kompresore so sušičom vzduchu sa kondenzát automaticky odlučuje do nádoby.

- Kontrolovať naplnenie nádoby po značku 1l / 2l (podľa objemu nádoby) a vyprázdniť najneskôr raz za deň.

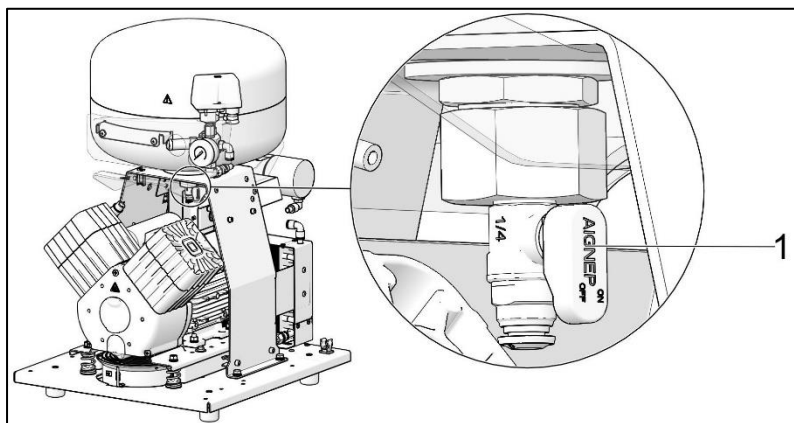


Obr. 17: Kontrola nádoby na zber kondenzátu

V prípade potreby je možné na odkalovanie vzdušníka použiť vypúšťací ventil (1) zo spodnej strany vzdušníka (Obr. 16).

Kompresor vypnúť zo siete a tlak vzduchu v zariadení znížiť na tlak max. 1bar, napr. odpustením vzduchu cez pripojené zariadenie.

Pri odkalovaní použiť hadičku, ktorej voľný koniec umiestniť do vhodnej nádoby a otvorením vypúšťacieho ventilu vypustiť kondenzát z nádrže.



Obr. 18: Vypustenie kondenzátu

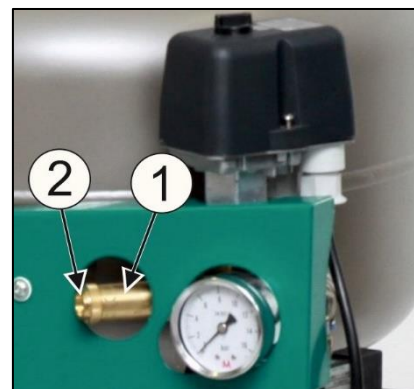


Pred nasledujúcimi kontrolami je potrebné:

- Pri prevedeniach kompresora so skrinkou DK50 PLUS S, DK50 PLUS S/M, DK50 2V/S, DK50 2V S/M – odistiť zámok na dverách a otvoriť dvere skrinky.

17.6. Kontrola poistného ventilu

- Skrutku (2) poistného ventilu (1) otočiť niekoľko otáčok doľava kým vzduch cez poistný ventil nevyfúkne.
- Poistný ventil nechať len krátko voľne vyfúknuť.
- Skrutku (2) otáčať doprava až na doraz, ventil musí byť teraz opäť zatvorený.



Obr. 19: Kontrola poistného ventilu



Nebezpečenstvo nebezpečného nárastu tlaku pri poškodení poistného ventilu.

Poistný ventil sa nesmie používať na odtlakovanie vzdušníka. Môže byť ohrozená funkcia poistného ventilu. U výrobcu je nastavený na povolený maximálny tlak, je preskúšaný a označený.

Poistný ventil sa nesmie prestavovať.



Nebezpečenstvo úrazu pri vypúšťaní stlačeného vzduchu.

Pri kontrole poistného ventilu je potrebné chrániť si zrak – použiť ochranné okuliare.

17.7. Výmena vstupného filtra a predfiltra

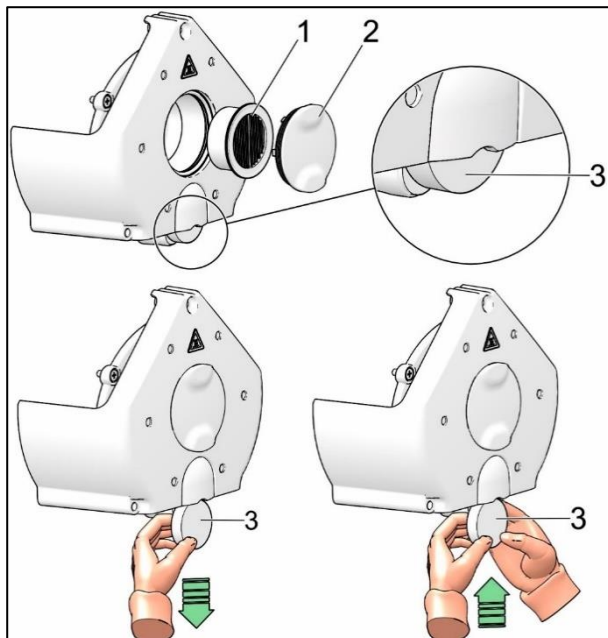
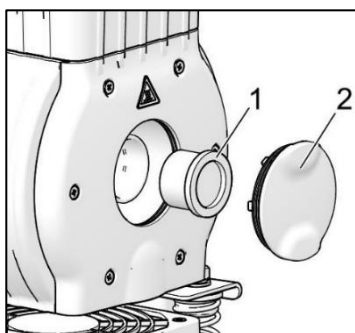
Vo veku kľukovej skrine kompresora sa nachádza vstupný filter (1).

Výmena vstupného filtra:

- Rukou vytiahnuť gumenú zátku (2).
- Znečistený vstupný filter (1) vybrať.
- Vložiť nový filter a nasadiť gumenú zátku.

Výmena predfiltra:

- Rukou vytiahnuť predfilter (3).
- Vymeniť za nový a vložiť späť.

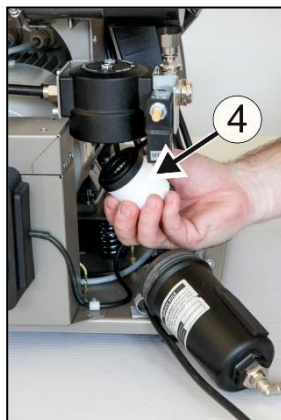
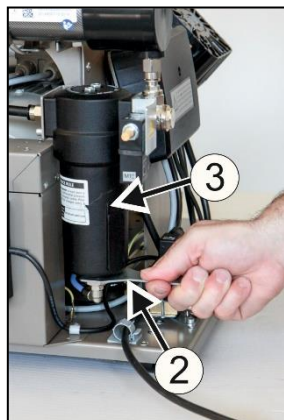
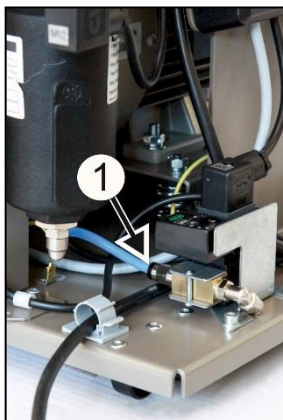


Obr. 20: Výmena vstupného filtra a predfiltra

17.8. Výmena filtračnej vložky vo filtri

- Vytiahnuť hadičku (1) z rýchlospojky.
- Kľúčom (2) povoliť nádobku filtra (3) a demontovať.
- Filtračnú vložku (4) demontovať jej vytiahnutím smerom dolu.
- Vložiť novú vložku.
- Nasadiť nádobku filtra.
- Kľúčom jemne dotiahnuť nádobku filtra.
- Osadiť hadičku späť do rýchlospojky.

Obr. 21: Výmena filtračnej vložky vo filtri



17.9. Kontrola chladiča a ventilátora

Aby bolo sušenie účinné, je treba udržiavať celé zariadenie a najmä ventilátor kompresora, ventilátor chladiča (21) a chladič (14) v čistote (Obr. 1, Obr. 2) – odsať alebo stlačeným vzduchom prefúknuť usadený prach z povrchu chladiacich rebier a ventilátorov.

17.10. Postup pri zapojení kompresora odpojeného od skrinky



Pred každou prácou pri údržbe alebo oprave kompresor nevyhnutne vypnite a odpojte zo siete (vytiahnuť siet'ovú zástrčku).

Kompresor (bez skrinky) potrebuje pre správnu činnosť, aby prepojka / mostík (jumper) bola vždy osadená v svorkovnici (Obr. 21, Obr. 22, Poz. B). Nahradzuje vtedy zapnutie vypínača umiestneného na skrinke



Ak vo svorkovnici nie je osadená prepojka / mostík, nebude funkčný kompresor!

V prípade vybratia kompresora zo skrinky a odpojenia šnúry medzi kompresorom a skrinkou (vytiahnutím vidlice konektora), kompresor nie je funkčný. Preto je nutné najskôr vytvoriť prepoj na svorkovnici prepojkou / mostíkom (nahradí funkciu vypínača na skrinke) (Obr. 21, Obr. 22).

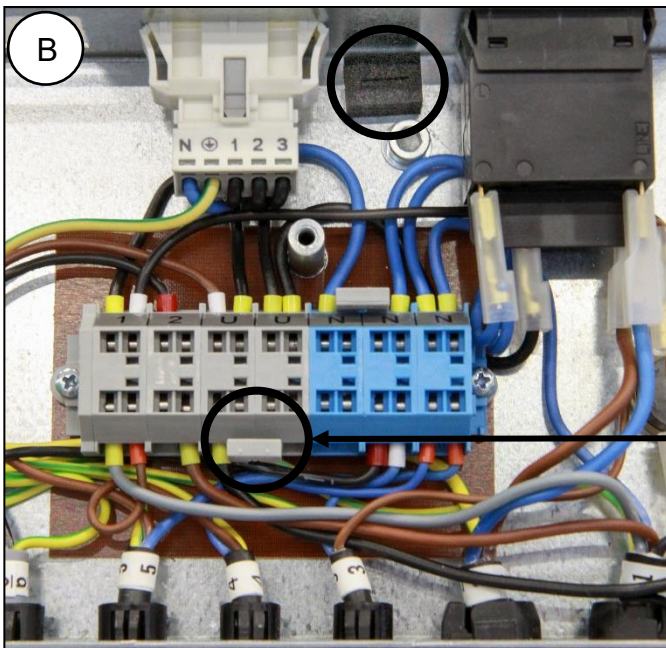
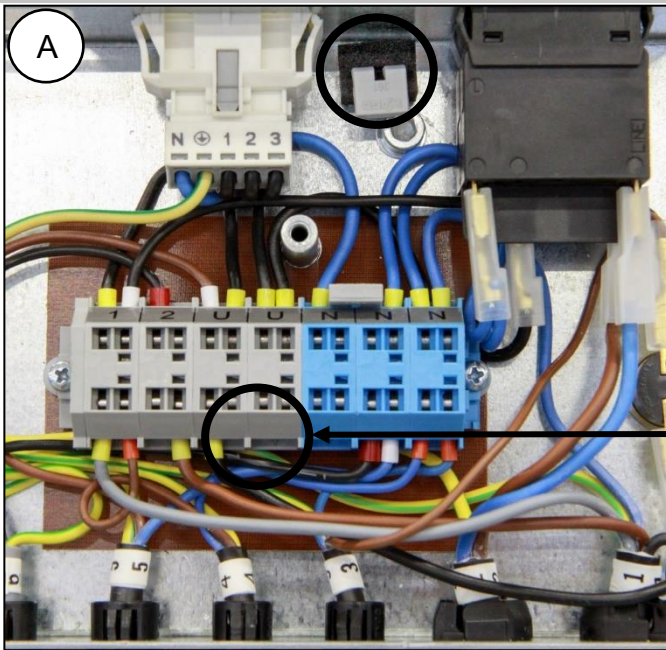
POSTUP:

Montáž prepójky / mostíka (postup A-B):

- Odpojiť výrobok od elektrickej siete vytiahnutím vidlice zo zásuvky.
- Demontovať kryt elektropanelu (na kompresore).
- Mostík nie je vo svorkovnici – A
- Zasuňte mostík do svorkovnice - B.
- Namontovať kryt elektropanelu späť.
- Pripojiť výrobok k elektrickej sieti.
- Kompresor uviesť do činnosti zapnutím vypínača na tlakovom spínači.

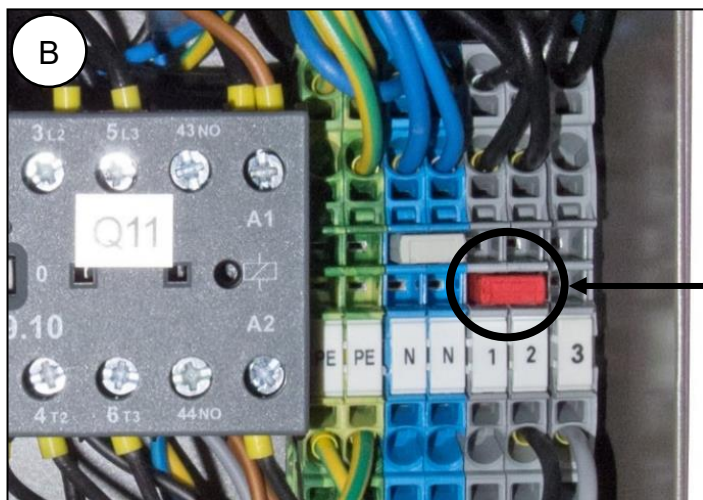
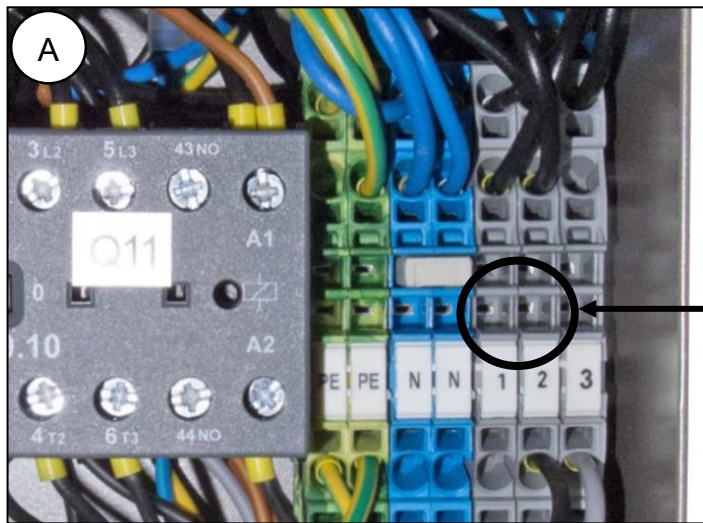
Kompresor - pri činnosti mimo skrinky **musí** mať vytvorený elektrický spoj prepójkou / mostíkom. (Obr. 21, Obr. 22, Poz. B)

Obr. 22



230V

Obr. 20



400V

17.11. Postup pri zapojení kompresora k novej skrinke



Pred každou prácou pri údržbe alebo oprave kompresor nevyhnutne vypnite a odpojte zo siete (vytiahnuť sieťovú zástrčku).

Kompresor v skrinke potrebuje pre správnu činnosť, aby prepojka / mostík (jumper) nebola osadená v svorkovnici (Obr. 21, Obr. 22, Poz. A). Vypínač umiestnený na skrinke zapína a vypína celý výrobok vrátane kompresora.



Ak vo svorkovnici je osadená prepojka / mostík, nebude funkčný vypínač na skrinke kompresora!

Ak ku kompresoru, ktorý predtým pracoval samostatne (kompresor bez skrinky), chceme pripojiť novú skrinku, potom je nutné zrušiť prepaj vo svorkovnici kompresora vykonaním postupu, viď ďalej. Obr. 21, Obr. 22) (Pozri tiež kap. 12.1 a 12.2)

POSTUP:**Demontáž prepójky / mostíka (postup B-A):**

- Odpojiť výrobok od elektrickej siete vytiahnutím vidlice zo zásuvky.
- Demontovať kryt elektropanelu (na kompresore).
- Mostík je vo svorkovnici –B
- Vybrať mostík zo svorkovnice – A
- Namontovať kryt elektropanelu späť.
- Zasunúť kompresor do skrinky.
- Skrinku pripojiť ku kompresoru šnúrou s konektorom (1) do zásuvky (2). (Obr. 14)
- Pripojiť výrobok k elektrickej sieti
- Kompresor uviesť do činnosti zapnutím vypínača na tlakovom spínači a vypínača (5) na skrinke (Obr. 15)

Kompresor so skrinkou - pri činnosti v skrinke **nesmie** mať elektrický prepój. (Obr. 21, Obr. 22, Poz. A)

Poznámka: **Mostík, ktorý nie je osadený vo svorkovnici, je potrebné uschovať pre prípad použitia kompresora bez skrinky alebo pre prípad servisného zásahu**, napr. do sáčku a umiestniť do elektropanelu.

17.12. Čistenie a dezinfekcia plôch výrobku

Na čistenie a dezinfekciu vonkajších plôch výrobku používať neutrálne prostriedky.



Používanie agresívnych čistiacich a dezinfekčných prostriedkov obsahujúcich alkohol a chloridy môže viesť k poškodeniu povrchu a zmeny farby výrobku.

18. Odstavenie

V prípade, že sa kompresor nebude dlhší čas používať, odporúča sa vypustiť kondenzát z tlakovej nádoby a kompresor uviesť do prevádzky na 10 minút s otvoreným ventilom na vypúšťanie kondenzátu (1) (Obr. 16). Potom kompresor vypnúť vypínačom (2) na tlakovom spínači (1) (Obr. 15), uzatvoriť ventil na vypúšťanie kondenzátu a odpojiť zariadenie od elektrickej siete.

19. Likvidácia prístroja

- Odpojiť zariadenie od elektrickej siete.
- Vypustiť tlak vzduchu v tlakovej nádrži otvorením ventilu na vypúšťanie kondenzátu (1) (Obr. 16).
- Zariadenie zlikvidovať podľa miestne platných predpisov.
- Triedenie a likvidáciu odpadu zadať špecializovanej organizácii.
- Časti výrobku po skončení jeho životnosti nemajú negatívny vplyv na životné prostredie.

VYHLÁDÁVANIE PORÚCH A ICH ODSTRÁNENIE



Nebezpečenstvo úrazu elektrickým prúdom.

Pred zásahom do zariadenia je nutné odpojiť ho z elektrickej siete (vytiahnuť sieťovú zástrčku).



Nebezpečenstvo úrazu pri práci s pneumatickými časťami pod tlakom.

Pred zásahom do zariadenia je potrebné znížiť tlak vo vzdušníku a v pneumatickom systéme na nulu.



Činnosti súvisiace s odstraňovaním porúch smie vykonávať len kvalifikovaný odborník servisnej služby.

Porucha	Možná príčina	Spôsob odstránenia
Kompresor sa nerozbíha	V tlakovom spínači nie je napätie	Kontrola napätia v zásuvke
		Kontrola stavu istiaceho vypínača - uviesť do stavu zapnuté „I“
		Uvoľnený vodič zo svorky - opraviť
		Kontrola elektrickej šnúry - chybnú vymeniť
	Prerušené vinutie motora, poškodená tepelná ochrana	Motor vymeniť, resp. previnuť vinutie
	Chybný kondenzátor	Kondenzátor vymeniť
Vypínač skrinky nevypína kompresor	Zadretý piest alebo iná rotačná časť	Poškodené časti vymeniť
	Nespína tlakový spínač	Skontrolovať funkciu tlakového spínača
Kompresor spína často	V skrinke je umiestnený kompresor, ktorý pracoval samostatne (vo svorkovnici kompresora je mostík)	Odstrániť mostík vo svorkovnici, pozri. Kap.17.11
	Únik vzduchu z pneumatického rozvodu	Kontrola pneumatického rozvodu – uvoľnený spoj utesniť
	Netesnosť spätného ventilu (SV)	SV vyčistiť, vymeniť tesnenia, vymeniť SV
	V tlakovej nádobe je väčšie množstvo skondenzovanej kvapaliny	Vypustiť skondenzovanú kvapalinu
Nízky tlak vo vzdušníku (kompresor je v činnosti trvale)	Nízka výkonnosť kompresora	Kontrola času naplnenia vzdušníka
	Vysoká spotreba vzduchu spotrebičom	Zníženie spotreby vzduchu Použitie výkonnejšieho kompresora
	Netesnosti v pneumatickom rozvode	Kontrola pneumatického rozvodu – netesné spoje utesniť
	Nízka výkonnosť agregátu	Oprava / výmena agregátu
	Porucha agregátu	Oprava / výmena agregátu
Chod kompresora sa predlžuje	Porucha sušiča	Výmena sušiča
	Únik vzduchu z pneumatického rozvodu	Kontrola pneumatického rozvodu – uvoľnený spoj utesniť
	Opotrebený piestny krúžok	Opotrebený piestny krúžok vymeniť

	Znečistený vstupný filter	Znečistený filter nahradiť novým
	Nesprávna funkcia solenoidného ventilu	Opraviť alebo vymeniť ventil alebo cievku
Kompresor je hlučný (klepanie, kovové zvuky)	Poškodené ložisko piesta, ojnice, ložisko motora	Poškodené ložisko vymeniť
	Uvoľnený (prasknutý) tlmiaci člen (pružina)	Poškodenú pružinu nahradiť
Sušič nesuší (vo vzduchu sa objavuje kondenzát) *	Nefunkčný ventilátor chladiča	Ventilátor vymeniť Preveriť prívod elektrickej energie
	Poškodený sušič	Vymeniť sušič
	Nefunkčný automatický odvod kondenzátu	Vyčistiť / vymeniť

)* Po poruche sušiča je nutné dôkladne vyčistiť vnútorný povrch vzdušníka a skondenzovanú kvapalinu dokonale odstrániť.



Na zabezpečenie ochrany pripojeného zariadenia pred poškodením je potrebné skontrolovať vlhkosť vypúšťaného vzduchu zo vzdušníka (pozri kap. technické údaje).

20. INFORMÁCIE O OPRAVÁRENSKEJ SLUŽBE

Záručné a mimozáručné opravy zabezpečuje výrobca alebo organizácie a opravárenské osoby, o ktorých informuje dodávateľ.

Upozornenie.

Výrobca si vyhradzuje právo vykonať na výrobku zmeny, ktoré však neovplyvnia podstatné vlastnosti prístroja.

DK50 PLUS/M

DK50 2V/M



EKOM spol. s r.o.,

Priemyselná 5031/18, 921 01 PIEŠŤANY, Slovak Republic



tel.: +421 33 7967255, fax: +421 33 7967223

e-mail: ekom@ekom.sk, www.ekom.sk

NP-DK50 PLUS, 2V-A-20_04-2026-MD

112000431-000

